



Enviro-Equipment Inc.
10120 Industrial Drive
Pineville NC 28134

Stock#: 880

Status: in stock

Description: Myers CT100B Centrifugal Transfer Pump with Baldor 3/4HP 115/230V 3450RPM 3PH XP Motor



MYERS® CT SERIES HIGH PRESSURE CENTRIFUGAL PUMPS

1/2 – 2-1/2 HP
HEADS TO 140 FEET
CAPACITIES TO 95 GPM

MYERS CT series line of high pressure centrifugal pumps provides quality at a competitive price. The complete line of 1/2 to 2-1/2 hp units provide strong pressures up to 140 feet and flows up to 95 gpm.

The rugged cast iron body construction is available with either a corrosion resistant composite or SST impeller. The heavy duty motor features a double ball bearing, 50° C ambient, dual voltage design for dependable service. The compact, back pullout design provides easy installation and serviceability.

The quality features of the CT series will provide dependable service for a wide variety of applications.

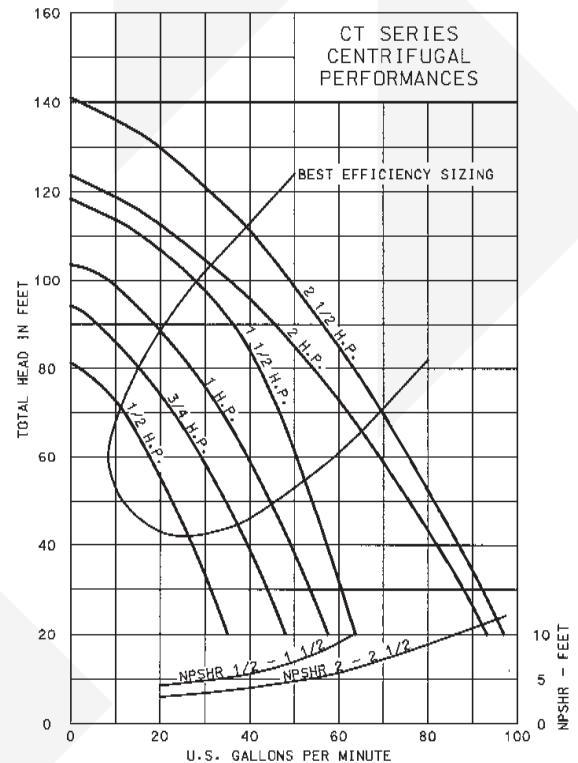
ADVANTAGES BY DESIGN

- Heavy duty cast iron construction
- Back pull-out design
- Dependable double ball bearing motor
- Continuous duty rating motor
- Choice of SST or composite impeller
- Maximum working pressure of 125 psi
- CSA listed

Applications

- Booster service
- Irrigation
- Circulating
- Cooling towers
- Air conditioning
- Liquid transfer
- Sprinkling systems
- General industrial service

TECHNICAL INFORMATION



HP	Catalog No.		Pipe Tapping Sizes		Motor Voltage	Phase	Approx. Wt. Lbs.
	Composite Impeller	SST Impeller	Suction (NPT)	Discharge (NPT)			
1/2	CT05	CT05S	1-1/4"	1"	115/230	1	30
	CT053	CT05S3	1-1/4"	1"	208/230/460	3	30
3/4	CT07	CT07S	1-1/4"	1"	115/230	1	32
	CT073	CT07S3	1-1/4"	1"	208/230/460	3	32
1	CT10	CT10S	1-1/4"	1"	115/230	1	35
	CT103	CT10S3	1-1/4"	1"	208/230/460	3	35
1-1/2	CT15	CT15S	1-1/4"	1"	115/230	1	40
	CT153	CT15S3	1-1/4"	1"	208/230/460	3	40
2	CT20	CT20S	1-1/2"	1-1/4"	115/230	1	57
	CT203	CT20S3	1-1/2"	1-1/4"	208/230/460	3	57
2-1/2	CT25	CT25S	2"	1-1/2"	115/230	1	62
	CT253	CT25S3	2"	1-1/2"	208/230/460	3	62

A. MOTOR

- NEMA standard
- Double ball bearing
- Open drip proof
- 60 Hz, 3450 rpm
- Stainless steel shaft
- Single-phase with built-in overload protection
- Three-phase requires overload protection in starter unit
- Non-overloading
- Continuous duty
- Strong capacitor start design

B. SEAL PLATE

- Heavy duty cast iron for dependable service and long life

C. IMPELLER

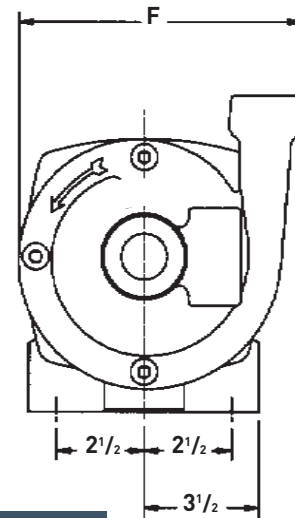
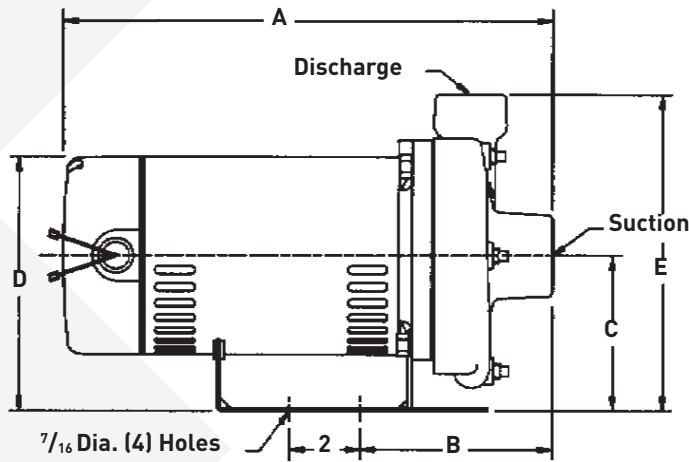
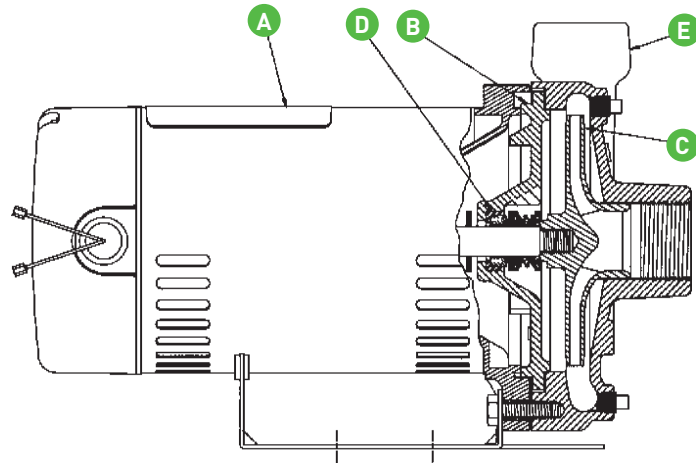
- Threaded SST insert on composite impellers
- Enclosed design for high efficiencies
- Balanced for smooth operation
- SST or composite construction

D. MECHANICAL SEAL

- Standard carbon/ceramic faces, 300 series SST components (standard for pumps with composite impellers)
- High temperature carbon/ceramic faces, 300 series SST components

E. CASING

- Heavy duty cast iron construction
- Back pull-out design
- Discharge can be rotated in four positions
- Tapped openings for priming, venting and draining
- Vertical discharge standard



Dimensions, inches

HP	A	B	C	D	E	F	Suct.	Disch.
1/2	13-7/8	5-1/2	4-3/8	7-1/4	9	8	1-1/4	1
3/4	14-5/8	5-1/2	4-3/8	7-1/4	9	8	1-1/4	1
1	15-1/8	5-1/2	4-3/8	7-1/4	9	8	1-1/4	1
1-1/2	15-1/8	5-1/2	4-3/8	7-1/4	9	8	1-1/4	1
2	16-1/2	6-1/4	4-1/2	7-1/2	9-1/2	8-7/8	1-1/2	1-1/4
2-1/2	16-1/2	6-1/4	4-1/2	7-1/2	9-1/2	8-7/8	2	1-1/2



740 EAST 9TH STREET,
ASHLAND, OHIO 44805
WWW.FEMYERS.COM

269 TRILLIUM DRIVE, KITCHENER,
ONTARIO, CANADA N2G 4W5
WWW.FEMYERS.COM

Because we are continuously improving our products and services, Pentair reserves the right to change specifications without prior notice.
K3807 04/20/15 © 2015 Pentair Ltd. All Rights Reserved.