



Enviro-Equipment Inc.
10120 Industrial Drive
Pineville NC 28134

Stock#: 702

Status: In stock

Dimensions: 36"x17"x18"

Weight: 240 lbs

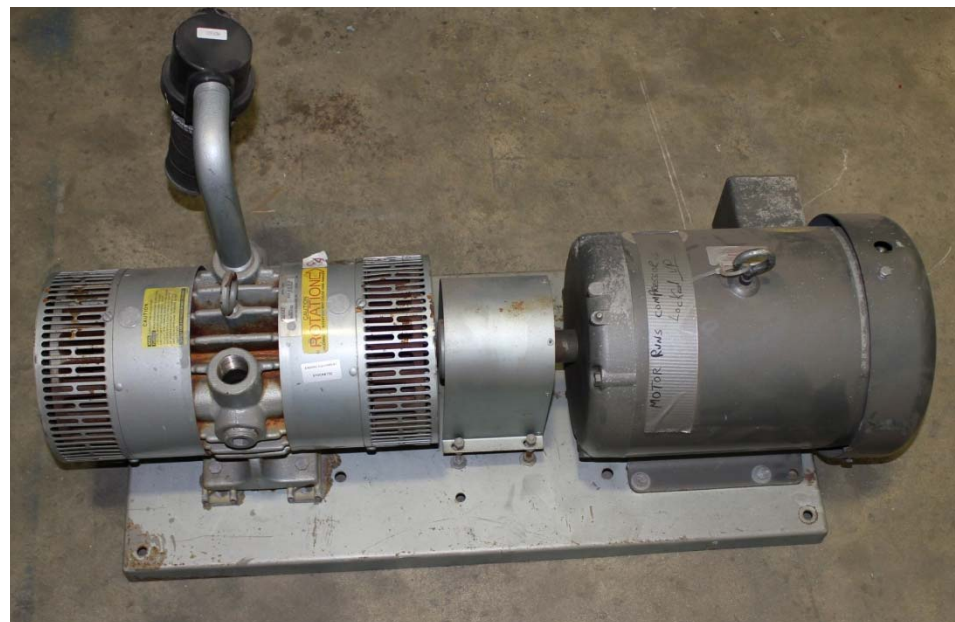
Description:

Blower:

MFG- Gast
Model- 6066-P122
Serial- 9709013284
Port size- 1"

Motor:

MFG- Baldor
Model-
Serial- F1097
CAT#- M3710T
Frame- 213T
Class- F
SF- 1.15
AMB- 40C
HP- 7.5
RPM- 1725
Voltage- 208-230/460
AMP- 21.5-20/10
Phase- 3
Hz- 60
DUTY-Continuous
CODE- J





Special Purpose Units – Compressors for Soil Sparging up to 112 cfm



Model 0823

Units are supplied with special, high capacity filtration plus motors that allow up to 30% more pressure than the standard model counterpart.

Oilless 0823, 2080/3080, 2067/2567, 6066 and 1290 Series



Model
2080/3080



Model
2067/2567

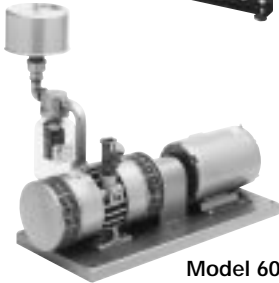
MODEL 0823
10 PSI MAX. CONTINUOUS PRESSURE
8 CFM OPEN FLOW

MODELS 2080/3080
15 PSI MAX. PRESSURE
25-35 CFM OPEN FLOW

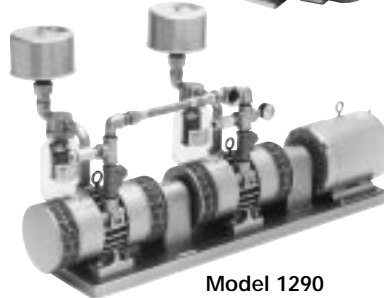
MODELS 2067/2567
20 PSI MAX. PRESSURE
17-21 CFM OPEN FLOW

MODELS 6066
20 PSI MAX. PRESSURE
37-55 CFM OPEN FLOW

MODELS 1290
20 PSI MAX. PRESSURE
112 CFM OPEN FLOW



Model 6066

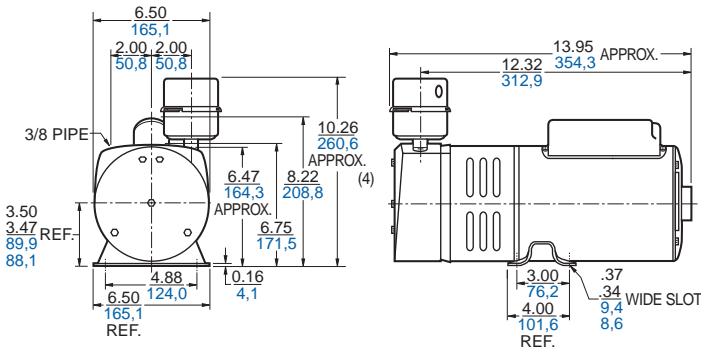


Model 1290

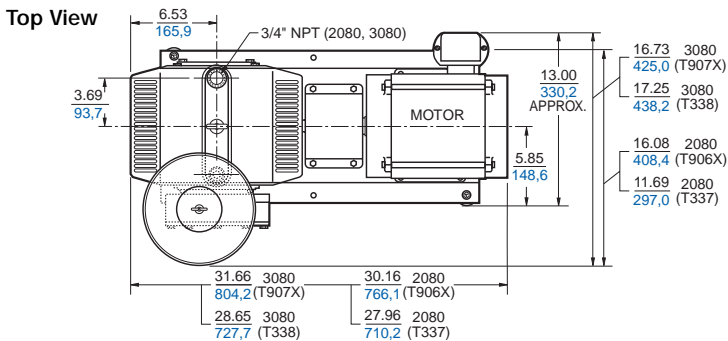
Product Dimensions (mm, inches)

Dimensions are for reference only.

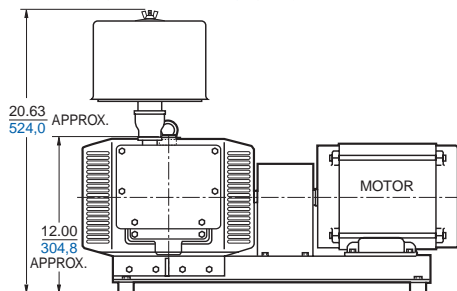
Model 0823



Models 2080/3080

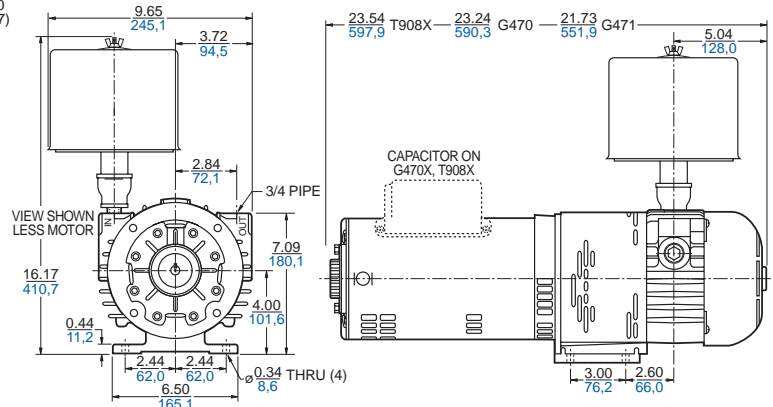


Side View



- ### PRODUCT FEATURES
- Oilless operation
 - Rugged construction/low maintenance
 - Heavy-duty filters
- ### RECOMMENDED ACCESSORIES
- Pressure gauge AA644B
 - Relief valves:
AA600 (0823)
AN225 (2080, 3080)
AA307 (2067, 2567, 6066, 1290)
 - Repair kits:
K479A (0823)
K546 (2080, 3080)
K585 (filter/muffler kit for 2080)
K584 (filter/muffler kit for 3080)
K357 (2067, 2567)
K503 (6066, 1290 – use 2)

Models 2067/2567





Product Specifications

Note: All models are compressors.

Model Number	Motor	RPM		HP	kW	Net Wt.	
		60 cycle	50 cycle			lbs.	kg
0823-P155-SG608X*	100-110/220-240-50-1 110-115/208-230-60-1	1725	1425	³ / ₄	0,56	50	22,5
2080-P124-T337†	230/460-60-3	1725	—	2	1,5	135	60,8
3080-P124-T338†	208-230/460-60-3	1725	—	3	2,2	160	72,0
2067-P118-G470X†	115/230-60-1	1725	—	1 1/2	1,1	84	37,8
2067-P118-G471*†	220/380-415-50-3 208-230/460-60-3	1725	1425	1 1 1/2	0,75 1,1	84	37,8
2567-P132-T908X†	115/230-60-1	1725	—	2	1,5	85	38,3
6066-P122A	For 213T or 215T frame motor	1725	—	7 1/2	5,6	88	39,6
6066-P122-T339***†	208-230/460-60-3	1725	—	5	3,7	205	92,3
1290-P110	For 215T frame motor	1725	—	10	7,5	220	99,7
1290-P110A	For 254T frame motor	1725	—	15	11,1	230	104,0

*For 50 Hz performance, reduce air flow on grid by approximately 17%.

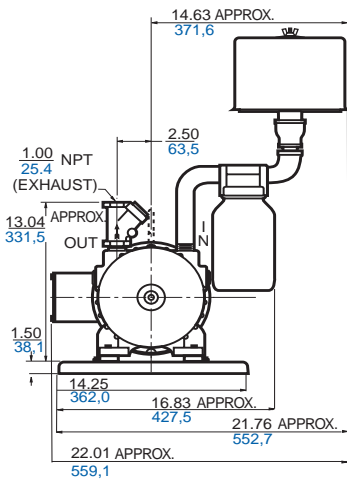
***These models are capable of 15 psi max. performance, reference performance grid below.

†Also available as separate drive, less the motor. To order as a separate drive version, specify the first two sets of digits only of this model number. Consult factory or distributor for the correct Nema frame size motor to use. Customer supplied motor must have minimum service factor of 1.15.

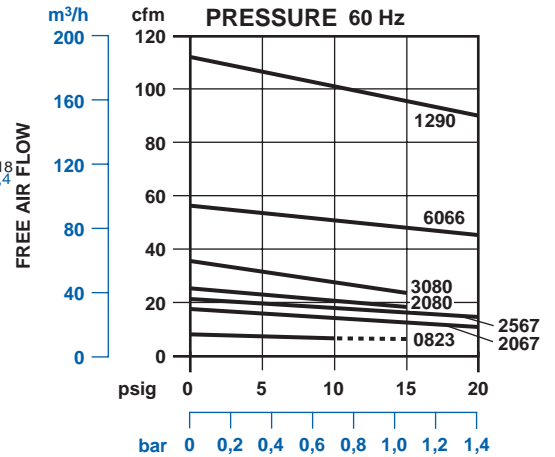
Product Dimensions (mm, inches)

Dimensions are for reference only.

Models 6066



Product Performance (Metric, U.S.)



Models 1290

