



Enviro-Equipment Inc.
10120 Industrial Drive
Pineville NC 28134

Stock#: 309

Status: In stock

Dimensions: 29"x20"x22"

Weight: 383 lbs

Description:

Blower:

MFG- EG&G

Model- DR1233BH72X

Port Size- 4"

Motor:

MFG- Baldor

Model- 550369

Serial-09E663X161C1

Frame- 256TCZ

Class- F

AMB- 40C

Nema Nom Eff- 1.15

HP- 11.6/20

RPM- 2900/3625

Voltage- 208-230/460

Phase- 3

Hz- 50/60

Duty- Cont

Code- B



DR 12 Regenerative Blower

FEATURES

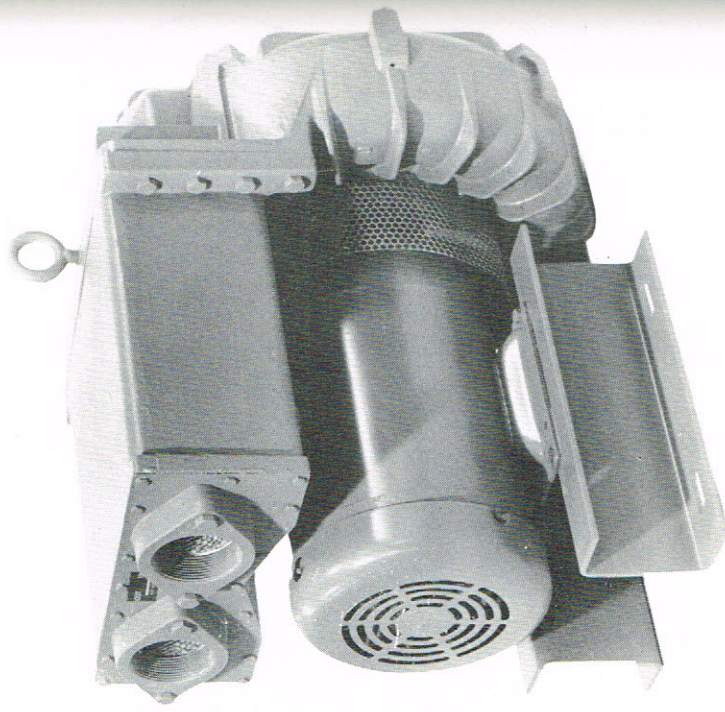
- Manufactured in the USA
- Maximum flow 670 SCFM
- Maximum pressure 110" WG
- Maximum vacuum 7.5" Hg
- 15 HP, TEFC motor, standard
- Blower construction—cast aluminum housing, impeller and cover
- Inlet and outlet internal muffling
- Noise level within OSHA standards when properly piped or muffled
- Weight: 426 lbs. (194 Kg)

ACCESSORIES

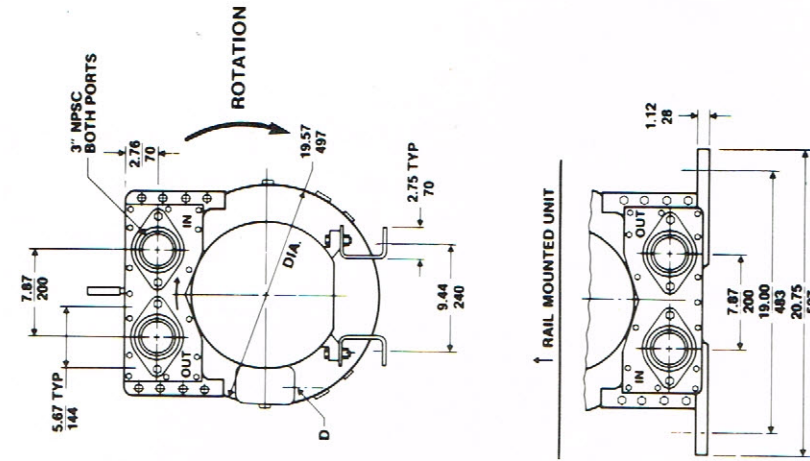
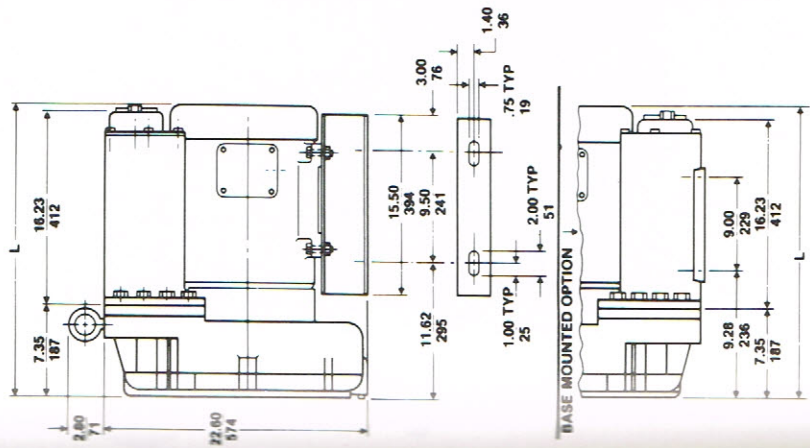
- Additional inlet/outlet mufflers
- Inlet or inline filters
- For details see Accessories Section

OPTIONS

- Smaller and larger HP motors
- 575-volt motors
- Surface treatments
- Gas tight sealing
- Belt drive (motorless) models; for details see Remote Drive Section



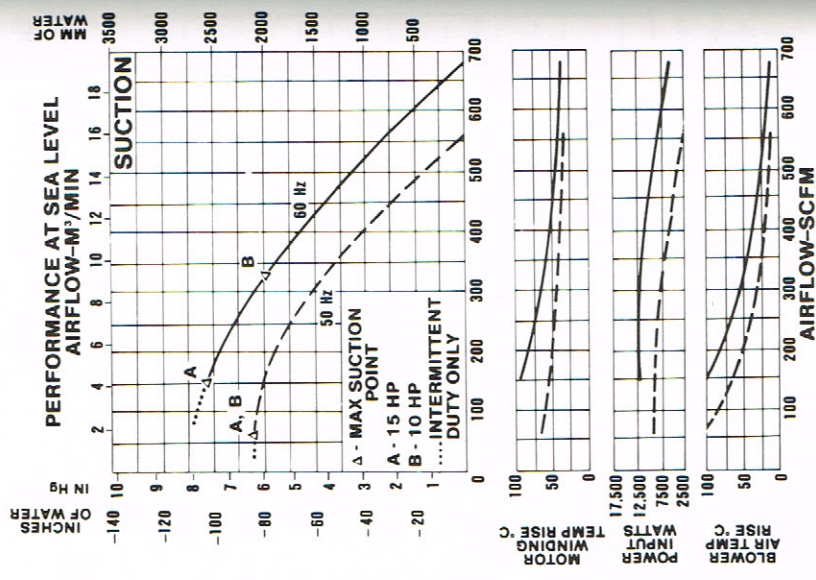
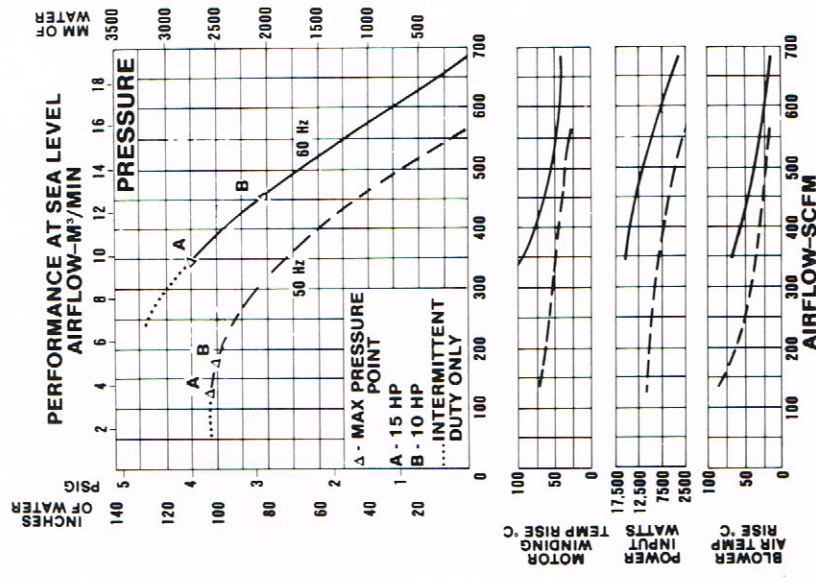
DR 12 Regenerative Blower



MODEL	L In (-.31) MM (+.8)	D (Dia.) In MM
DR12BB72	23.18 589	1.06 In. 27.0
DR12BE72	24.31 617	1.06 In. 27.0
DR12BG72	25.81 656	1 1/4" NPT 31.8
DR12BE86	24.31 617	1.06 In. 27.0

DIMENSIONS IN
IN
MM
TOLERANCES: .XX ± 2.5

7-86



SPECIFICATIONS

MODEL (RAIL MOUNT)	DR12BB72W	DR12BE72W	DR12BG72W	DR12BE86W
Part No. (Rail Mount)	036717	036916	036917	036918
Motor Enclosure Type	TEFC	TEFC	XP	TEFC
Motor Horsepower	10	15	15	15
Voltage ¹	230/460	230/460	230/460	575
Phase	3	3	3	3
Frequency ¹ (Hz)	60	60	60	60
Insulation Class ²	F	F	B	F
NEMA Rated Motor Amps	26/13	46/23	46/23	19
Service Factor	1.15	1.15	1.0	1.15
Locked Rotor Amps	160/80	232/116	232/116	93
Max. Blower Amps	32.4/16.2	39.4/19.7	39.4/19.7	15.8
Recommended NEMA Starter Size	2/1	2/2	2/2	2
Weight (lbs/Kg)	411/186	426/194	580/264	424/193
Model No. (Base Mount)	DR12BB72X	DR12BE72X	DR12BG72X	DR12BE86X
Part No. (Base Mount)	036721	036720	036919	036920
Blower Limitations for Continuous Duty (60 Hz/50 Hz)				
Max. Pressure-In. of water	77/101	110/101	110/101	110 (60 Hz)
Min. Suction-In. of water	77/83	102/83	102/83	102 (60 Hz)
Min. Flow-Pressure-SCFM	450/200	350/120	350/120	350 (60 Hz)
Min. Flow-Suction-SCFM	320/70	150/70	150/70	150 (60 Hz)

¹All 3-phase motors are factory tested and certified to operate on 200-230/460 VAC-3 ph-60 Hz and 220-240/380-415 VAC-3 ph-50 Hz.
²Maximum operating temperature: Motor winding temperature (winding rise plus ambient) should not exceed 140°C for Class F insulation or 110°C for Class B insulation. Blower outlet air temperature should not exceed 140°C (air temperature rise plus ambient).