



Enviro-Equipment Inc.
10120 Industrial Drive
Pineville NC 28134

Stock#: 776

Dimensions:

Description: Price Pumps Centrifugal Pump Model LT25AB3342122118336 with 1/3HP 3450RPM
115/230V 1PH Motor





LT25SS
Shown

LT25 / LT25V

Pump Volute / Impeller Materials

- LT25 (AB) – Bronze / Bronze
- LT25 (SF) – Bronze / 316SS
- LT25 (SS) – 316SS / 316SS

Features

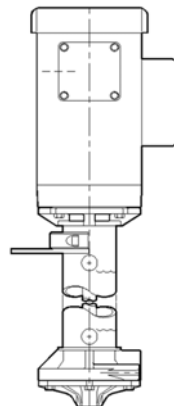
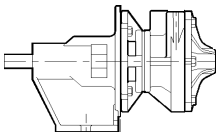
- **Pump Design** – Compact, Close Coupled
- **Double Seal** – Type 21 available
- **Flush Options** – Recirculating & Internal
- **Stub Shaft** – Replaceable 316SS shaft

Applications

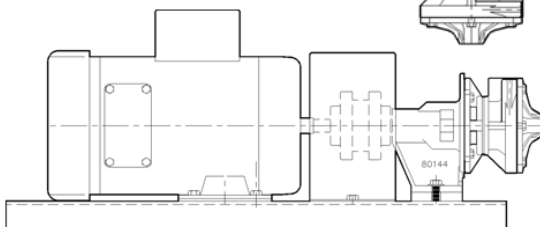
- Deionized Water
- Vapor Degreaser
- Filter Systems
- Water Treatment Systems
- Circulation / Filtration
- Alkaline Solutions

Optional Configurations

- **Air Motor:** Up to 1/3 HP
- **Vertical Mounting:**
- **Power Frame Mounting:**



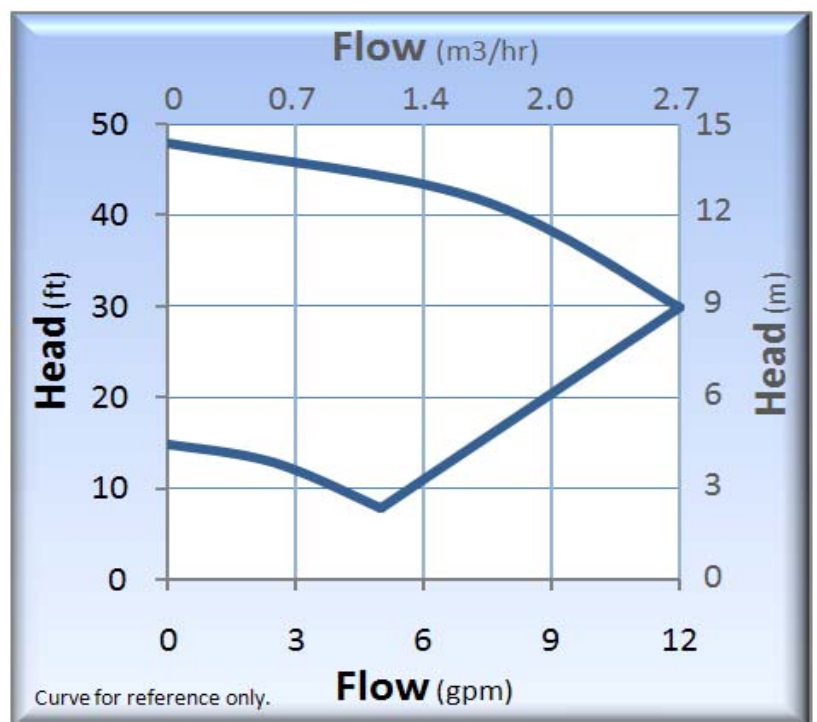
- **Long-Coupled Mounting:**



Standard Specifications

- LT25 Discharge 1/4" FNPT, Suction 1/2" FNPT
- LT25V Discharge 1/4" FNPT, Suction 1/2" FNPT
- Maximum Impeller Diameter: 3.34"
- Stub Shaft: 316SS
- Motor: NEMA 42C Footed (Multiple enclosures available)
- Mechanical Seal:
 - Single, 5/8" Type 21 Viton, Carbon vs. Ceramic
 - Note: Additional seal options available*
- Gasket: (AB, SF) Synthetic Fiber, (SS) Teflon

Performance Curve – 60 Hz



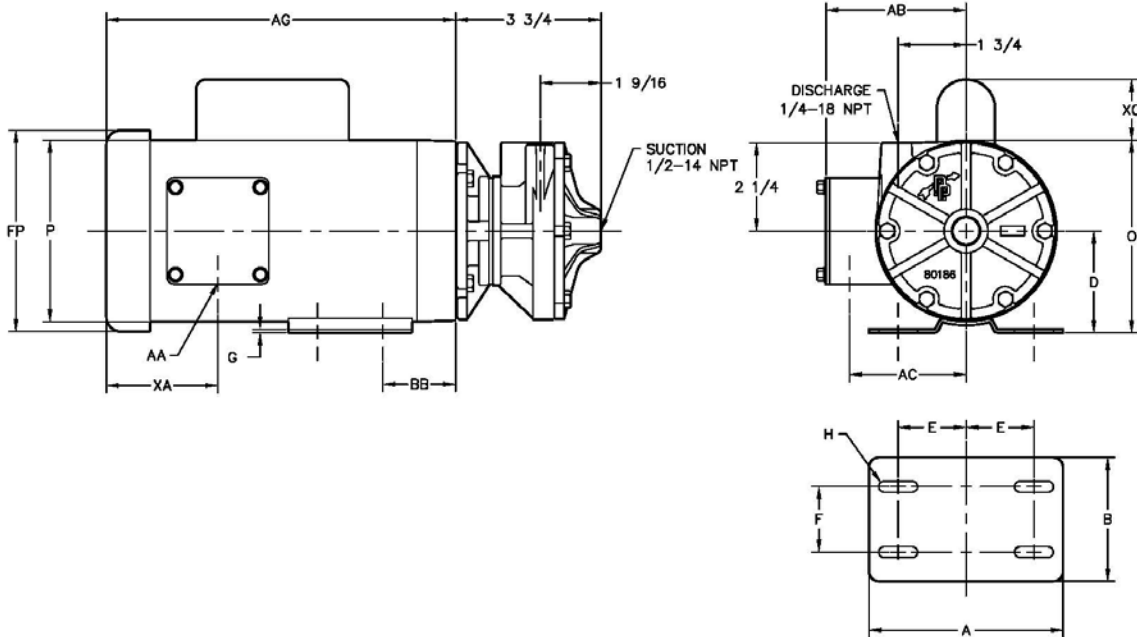
LT25 / LT25V

Technical Information	
Max Flow	12 GPM (2.7 m3/hr)
Max Head	48 feet (14.6 m)
Min. Flow	0.5 GPM (0.1 m3/hr)
Max Solid Size	0.120" (3.05 mm)
Max Working Pressure	(Type 8 Seal) 325 PSI (22.4 bar)
	(Type 9 Seal) 350 PSI (24.1 bar)
	(Type 21 Seal) 150 PSI (10.3 bar)
	(Type 2106 Seal) 150 PSI (10.3 bar)
Max Temp.	300°F (149°C)*

Materials of Construction			
LT	AB	SF	SS
Volute	Bronze	Bronze	316SS
Impeller	Bronze	316SS	316SS
Bracket	Bronze	Bronze	316SS
Gasket	Syn. Fiber	Syn. Fiber	Teflon®
Fasteners	18-8 Stainless Steel		

* Temperature limits are based on standard seal and gasket materials, and will vary according to the liquid being pumped.

Dimensions (LT25)



MOTOR FRAME DIMENSIONS

P/N	TYPE	PH	HP	AA	A	B	D	E	F	G	H (SLOT)	O	P	AB	AC	AG	BB	FP	XA	XO
1438	OPEN, DRIP PROOF	1/60	1/3	1/2-14 NPT	5 3/4	4	3	2 1/8	2 3/4	5/64	1 x 11/32	5 13/16	5 5/8	N/A	1 1/8	10	2 1/8	N/A	1 1/16	1 1/2
1608	TOTALLY-ENCLOSED	1/60	1/8					1 3/8						4 11/16		8 1/4				1 9/16
1439	TOTALLY-ENCLOSED	1/60	1/3	7/8 HOLE	5	3 3/16	2 5/8		1 11/16	1/8	1 x 9/32	5	4 5/8	4 1/16	3	9 1/4	1 7/8	5	3 1/8	N/A
1440	TOTALLY-ENCLOSED	3/60	1/3					1 3/4												N/A
1441	EXPLOSION PROOF	1/60	1/2	3/4 NPT	5 3/4	4	3	2 1/8	2 3/4	1/8	1 x 11/32	6 1/8	5 3/4	6 1/2	5	12 1/8	2 3/8	N/A	2 3/8	N/A
1442	EXPLOSION PROOF	3/60	1/3													11 1/8				

NOTES:

1. MOTOR FRAMES WILL VARY IN LOOK, PER PART NUMBER.
2. MOTOR P/N INDICATES PRICE PUMP CO. PART NUMBER, AND HAS NO SIMILARITY WITH MANUFACTURER PART NUMBERS.
3. ALL DIMENSIONS HAVE BEEN ROUNDED TO THE NEAREST 1/8 INCH.



Contact factory for special pump configurations,
same day, and next day delivery options.

21775 Eighth Street East
Sonoma, CA 95476-0329
MAIN (707) 938-8441
TOLL FREE (800) 345-7867
FAX (707) 938-0764
E-mail: sales@pricepump.com
Website: www.pricepump.com



Rev. B June 2013