



Enviro-Equipment Inc.  
10120 Industrial Drive  
Pineville NC 28134

Stock#:142

Status: In stock

Dimensions: 27"x23"x9"

Weight: 98 lbs

Description:

**Pump:**

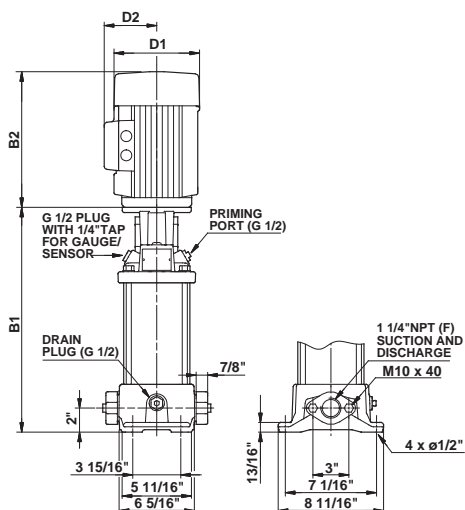
MFG-Grundfos  
Model-CR-5

**Motor:**

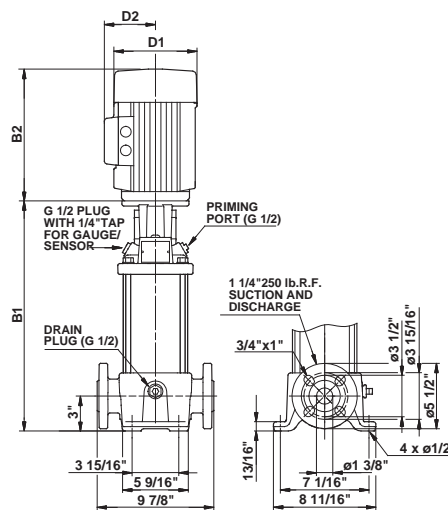
MFG-Baldor  
Model-355326Y192G1  
Serial-F0205231241  
CAT#-84Z04007  
Frame-56C  
Class-B  
SF-1.30  
AMB-40C  
HP-1 1/2  
RPM-3450  
Voltage-115/208-230  
AMP-17/9.5-8.6  
Phase-1  
Hz-60  
DUTY-Continuous  
CODE-K



CR 5



TM03 1455 2205



TM03 1451 2205

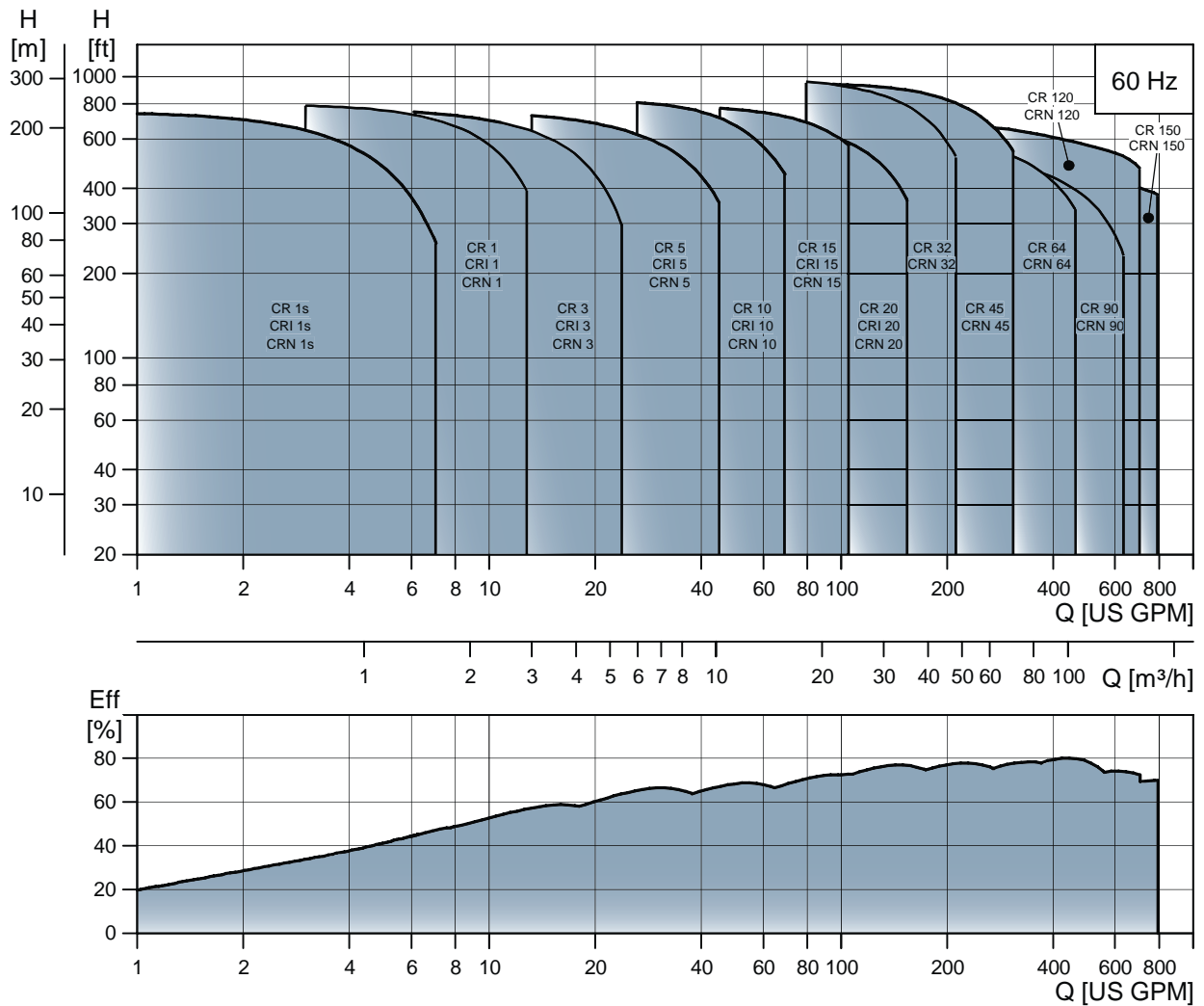
Pump type	P2 [Hp]	Ph.	Oval*	ANSI dimensions [inch (mm)]				Ship. wt. [lbs (kg)]
				B1	TEFC		B1+B2	
					D1	D2		
CR 5-2	3/4	1	•	11.97 (305)	6.19 (158)	5.18 (132)	21.88 (556)	77 (35)
		3	•	11.97 (305)	5.55 (141)	4.57 (117)	19.41 (494)	68 (31)
CR 5-3	1	1	•	13.03 (331)	7.19 (183)	5.73 (146)	24.22 (616)	90 (41)
		3	•	13.03 (331)	5.55 (141)	4.57 (117)	20.47 (520)	69 (32)
CR 5-4	1 1/2	1	•	14.09 (358)	7.19 (183)	5.73 (146)	25.77 (655)	94 (43)
		3	•	14.09 (358)	5.55 (141)	4.57 (117)	22.71 (577)	71 (33)
CR 5-5	2	1	•	15.16 (386)	7.19 (183)	5.73 (146)	27.72 (705)	106 (49)
		3	•	15.16 (386)	7.01 (179)	4.33 (110)	26.38 (671)	93 (43)
CR 5-6	2	1	•	16.22 (412)	7.19 (183)	5.73 (146)	28.78 (732)	108 (49)
		3	•	16.22 (412)	7.01 (179)	4.33 (110)	27.44 (697)	95 (44)
CR 5-7	3	1	•	18.39 (468)	8.60 (219)	6.87 (175)	33.04 (840)	143 (65)
		3	•	18.39 (468)	7.01 (179)	4.33 (110)	31.62 (804)	114 (52)
CR 5-8	3	1	•	19.45 (495)	8.60 (219)	6.87 (175)	34.10 (867)	145 (66)
		3	•	19.45 (495)	7.01 (179)	4.33 (110)	32.68 (831)	116 (53)
CR 5-9	3	1	•	20.51 (521)	8.60 (219)	6.87 (175)	35.16 (894)	147 (67)
		3	•	20.51 (521)	7.01 (179)	4.33 (110)	33.74 (857)	118 (54)
CR 5-10	5	1	•	21.57 (548)	10.62 (270)	7.46 (190)	37.09 (943)	170 (78)
		3	•	21.57 (548)	8.66 (220)	5.28 (135)	37.08 (942)	168 (77)
CR 5-11	5	1	•	22.64 (576)	10.62 (270)	7.46 (190)	38.16 (970)	172 (79)
		3	•	22.64 (576)	8.66 (220)	5.28 (135)	38.15 (970)	169 (77)
CR 5-12	5	1	•	23.7 (602)	10.62 (270)	7.46 (190)	39.22 (997)	177 (81)
		3	•	23.7 (602)	8.66 (220)	5.28 (135)	39.21 (996)	170 (78)
CR 5-13	5	1	•	24.76 (629)	10.62 (270)	7.46 (190)	40.28 (1024)	178 (81)
		3	•	24.76 (629)	8.66 (220)	5.28 (135)	40.27 (1023)	171 (78)
CR 5-14	5	1	•	25.83 (657)	10.62 (270)	7.46 (190)	41.35 (1051)	180 (82)
		3	•	25.83 (657)	8.66 (220)	5.28 (135)	41.34 (1051)	176 (80)
CR 5-15	5	1	•	26.89 (684)	10.62 (270)	7.46 (190)	42.41 (1078)	181 (83)
		3	•	26.89 (684)	8.66 (220)	5.28 (135)	42.40 (1077)	177 (81)
CR 5-16	5	1	•	27.95 (710)	10.62 (270)	7.46 (190)	43.47 (1105)	182 (83)
		3	•	27.95 (710)	8.66 (220)	5.28 (135)	43.46 (1104)	178 (81)
CR 5-18	7 1/2	1	-	30.59 (777)	10.22 (260)	7.62 (194)	46.12 (1172)	200 (91)
		3	-	30.59 (777)	8.66 (220)	5.28 (135)	46.19 (1171)	188 (86)
CR 5-20	7 1/2	1	-	32.72 (832)	10.22 (260)	7.62 (194)	48.25 (1226)	203 (93)
		3	-	32.72 (832)	8.66 (220)	5.28 (135)	48.23 (1226)	190 (87)
CR 5-22	7 1/2	1	-	34.84 (885)	10.22 (260)	7.62 (194)	50.37 (1280)	300 (137)
		3	-	34.84 (885)	8.66 (220)	5.28 (135)	50.35 (1279)	287 (131)
CR 5-24	7 1/2	1	-	36.97 (940)	10.22 (260)	7.62 (194)	52.50 (1334)	302 (137)
		3	-	36.97 (940)	8.66 (220)	5.28 (135)	52.48 (1333)	290 (132)

All dimensions in inches unless otherwise noted.

\* Oval flanged pump B1 and B1+B2 dimension is one inch less than ANSI flanged pumps and weight is approximately 9 lbs. less.

- Available.

# PERFORMANCE CURVES AND TECHNICAL DATA



## CR Product Range

Range:	CR 1s	CR, CRE 1	CR, CRE 3	CR, CRE 5	CR, CRE 10	CR, CRE 15	CR, CRE 20	CR, CRE 32	CR, CRE 45	CR, CRE 64	CR 90	CR 120	CR 150
Nominal flow rate (US GPM)	4.5	8.5	15	30	55	95	110	140	220	340	440	610	750
Temperature range (°F)	-4 to +250						-22 to +250 (1) & 2)						
Temperature range (°F) - on request	-40 to +356						-40 to +435						
Max. working pressure (psi)	360	360	360	360	360	360	360	435	435	435	435	435	435
Max. working pressure (psi) - on request	-	725	725	725	725	725	725	580	580	580	580	580	580
Max. pump efficiency (%)	35	49	59	67	70	72	72	76	78	79	80	75	73
<b>CR pumps</b>													
CR: Flow range (US GPM)	0.5 - 5.7	1 - 12.8	1.5 - 23.8	3 - 45	5.5 - 70	9.5 - 125	11 - 155	14 - 210	22 - 310	34 - 450	44 - 630	61 - 700	75 - 792
CR: Max. pump pressure (H(ft))	760	790	790	780	865	800	700	995	940	565	595	685	570
CR: Motor power (HP)	1/3 - 2	1/3 - 3	1/3 - 5	3/4 - 7 1/2	3/4 - 15	2 - 25	3 - 25	3 - 40	7 1/2 - 60	7 1/2 - 60	15 - 60	20 - 100	25 - 100
<b>CRE pumps</b>													
CRE: Flow range (US GPM)	-	0 - 12.8	0 - 23.8	0 - 45	0 - 70	0 - 125	0 - 155	0 - 210	0 - 310	0 - 450	-	-	-
CRE: Max. pump pressure (H(ft))	-	790	790	780	665	390	270	240	120	100	-	-	-
CRE: Motor power (HP)	-	1/3 - 3	1/3 - 5	3/4 - 7 1/2	3/4 - 10	2 - 10	3 - 10	3 - 10	7 1/2	7 1/2	-	-	-
<b>Version:</b>													
CR, CRE:	•	•	•	•	•	•	•	•	•	•	•	•	•
Cast Iron and stainless steel AISI 304	•	•	•	•	•	•	•	•	•	•	•	•	•
CRI, CRIE:	•	•	•	•	•	•	•	-	-	-	-	-	-
Stainless steel AISI 304	•	•	•	•	•	•	•	-	-	-	-	-	-
CRN, CRNE:	•	•	•	•	•	•	•	•	•	•	•	•	•
Stainless steel AISI 316	•	•	•	•	•	•	•	•	•	•	•	•	•
CRT, CRTE:	-	-	CRT 2	CRT 4	CRT 8	CRT 16	-	-	-	-	-	-	-
Titanium	-	-	CRTE 2	CRTE 4	CRTE 8	CRTE 16	-	-	-	-	-	-	-
<b>CR, CRE pipe connection:</b>													
Oval Flange (NPT)	1"	1"	1"	1 1/4"	2"	2"	2"	-	-	-	-	-	-
Oval Flange (NPT) - on request	1 1/4"	1 1/4"	1 1/4"	1"	1 1/2"	2 1/2"	2 1/2"	-	-	-	-	-	-
ANSI Flange Size	1 1/4"	1 1/4"	1 1/4"	1 1/4"	2"	2"	2"	2 1/2"	3"	4"	4"	5"	5"
ANSI Flange Size - on request	-	-	-	-	-	-	-	3"	4"	5"	5"	6"	6"
ANSI Flange Class	300 lb.	300 lb.	300 lb.	300 lb.	250 lb.	250 lb.	250 lb.	125/250 lb.	125/250 lb.	125/250 lb.	125/250 lb.	125/250 lb.	125/250 lb.
<b>CRI, CRIE pipe connection:</b>													
Oval Flange (NPT)	1"	1"	1"	1 1/4"	2"	2"	2"	-	-	-	-	-	-
Oval Flange (NPT) - on request	1 1/4"	1 1/4"	1 1/4"	1"	1 1/2"	-	-	-	-	-	-	-	-
ANSI Flange Size	1 1/4"	1 1/4"	1 1/4"	1 1/4"	2"	2"	2"	-	-	-	-	-	-
ANSI Flange Class	300 lb.	300 lb.	300 lb.	300 lb.	300 lb.	300 lb.	300 lb.	-	-	-	-	-	-
Clamp coupling (NPT) - on request	1", 1 1/4"	1", 1 1/4"	1", 1 1/4"	1", 1 1/4"	1 1/2", 2"	1 1/2", 2"	2", 2 1/2"	-	-	-	-	-	-
Union (NPT ext. thread) - on request	2"	2"	2"	2"	-	-	-	-	-	-	-	-	-
<b>CRN, CRNE pipe connection:</b>													
PJE (Victaulic)	1 1/4"	1 1/4"	1 1/4"	1 1/4"	2"	2"	2"	-	-	-	-	-	-
PJE (Victaulic) - on request	-	-	-	-	-	-	-	3"	4"	4"	4"	4"	4"
ANSI Flange Size	1 1/4"	1 1/4"	1 1/4"	1 1/4"	2"	2"	2"	2 1/2"	3"	4"	4"	5"	5"
ANSI Flange Size - on request	-	-	-	-	-	-	-	3"	4"	5"	5"	6"	6"
ANSI Flange Class	300 lb.	300 lb.	300 lb.	300 lb.	300 lb.	300 lb.	300 lb.	150/300 lb.	150/300 lb.	150/300 lb.	150/300 lb.	150/300 lb.	150/300 lb.
Clamp coupling (NPT) - on request	1", 1 1/4"	1", 1 1/4"	1", 1 1/4"	1", 1 1/4"	1 1/2", 2"	1 1/2", 2"	2", 2 1/2"	-	-	-	-	-	-
Union (NPT ext. thread) - on request	2"	2"	2"	2"	-	-	-	-	-	-	-	-	-
<b>CRT pipe connection:</b>													
PJE coupling (Victaulic)	-	-	1 1/4"	1 1/4"	2"	2"	-	-	-	-	-	-	-
ANSI Flange Size - on request	-	-	-	-	2"	2"	-	-	-	-	-	-	-

•:Available

-:Not available

1) CRN 32 to CRN 90 with HQQE shaft seal: -40 °F to +250 °F

2) CR, CRN 120 and 150 with 75 or 100 Hp motors with HBQE shaft seal: 0 °F to +250 °F