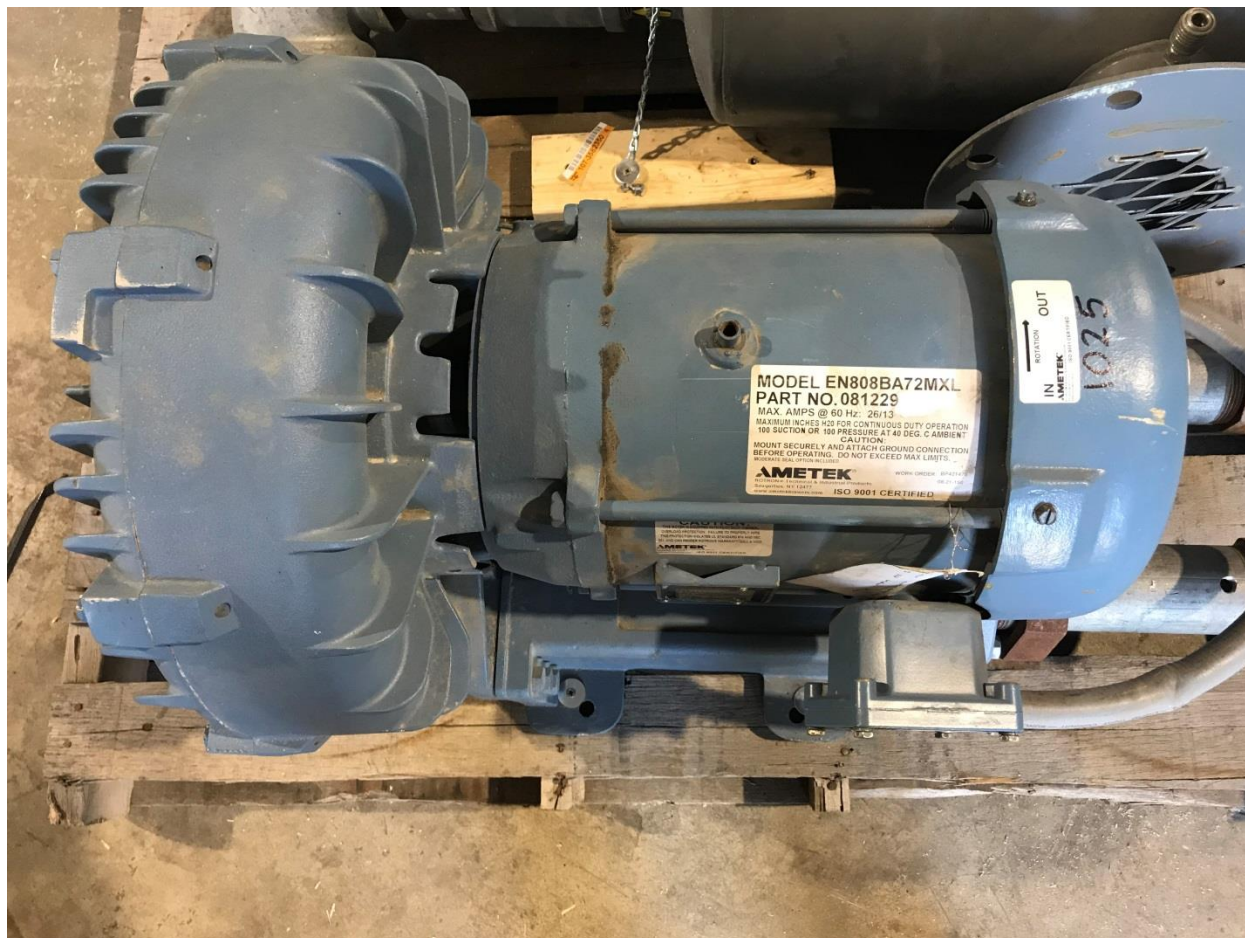




Enviro-Equipment Inc.
10120 Industrial Drive
Pineville NC 28134

SERIAL#: 1025

DESCRIPTION: Rotron EN808BA72MXL Regenerative Blower with 7.5HP 230/460V XP Motor.



ROTRON® Regenerative Blowers

EN 808 & CP 808 Three-Phase Sealed Regenerative Blower w/Explosion-Proof Motor

FEATURES

- Manufactured in the USA – ISO 9001 compliant
- Maximum flow: 350 SCFM
- Maximum pressure: 90 IWG
- Maximum vacuum: 97 IWG
- Standard motor: 7.5 HP, explosion-proof
- Cast aluminum blower housing, cover, impeller & manifold; cast iron flanges (threaded); teflon lip seal
- UL & CSA approved motor with permanently sealed ball bearings for explosive gas atmospheres Class I Group D minimum
- Sealed blower assembly
- Quiet operation within OSHA standards

MOTOR OPTIONS

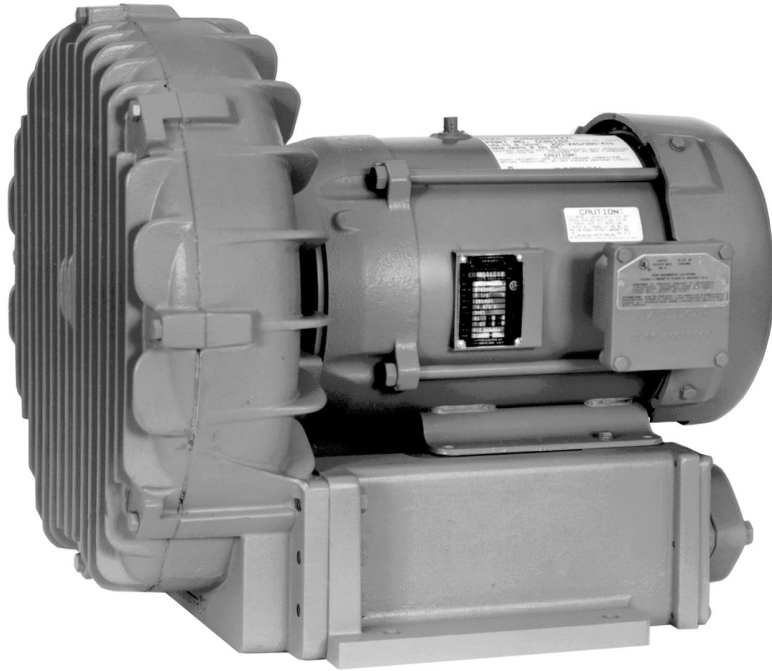
- International voltage & frequency (Hz)
- Chemical duty, high efficiency, inverter duty or industry-specific designs
- Various horsepower for application-specific needs

BLOWER OPTIONS

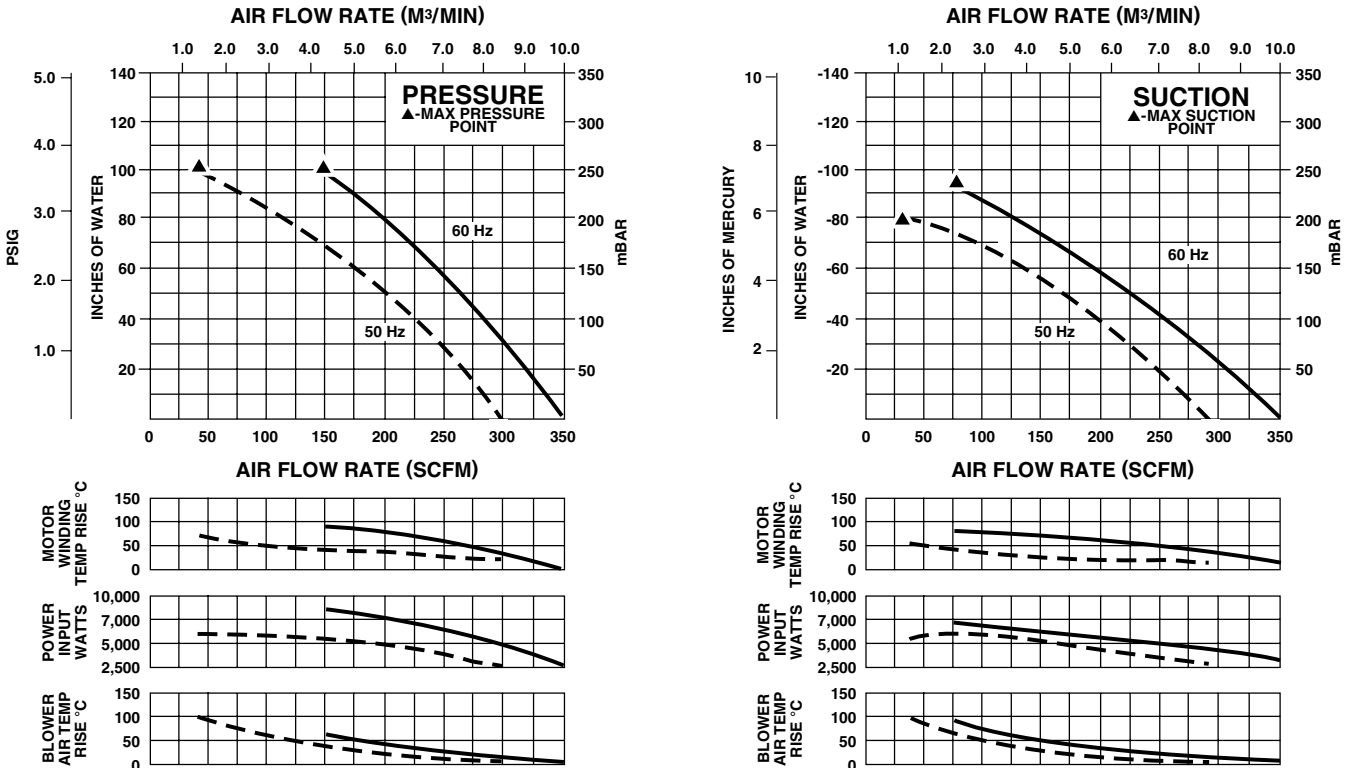
- Corrosion resistant surface treatments & sealing options
- Remote drive (motorless) models
- Slip-on or face flanges for application-specific needs

ACCESSORIES (See Catalog Accessory Section)

- Flowmeters reading in SCFM
- Filters & moisture separators
- Pressure gauges, vacuum gauges & relief valves
- Switches – air flow, pressure, vacuum or temperature
- External mufflers for additional silencing
- Air knives (used on blow-off applications)
- Variable frequency drive package



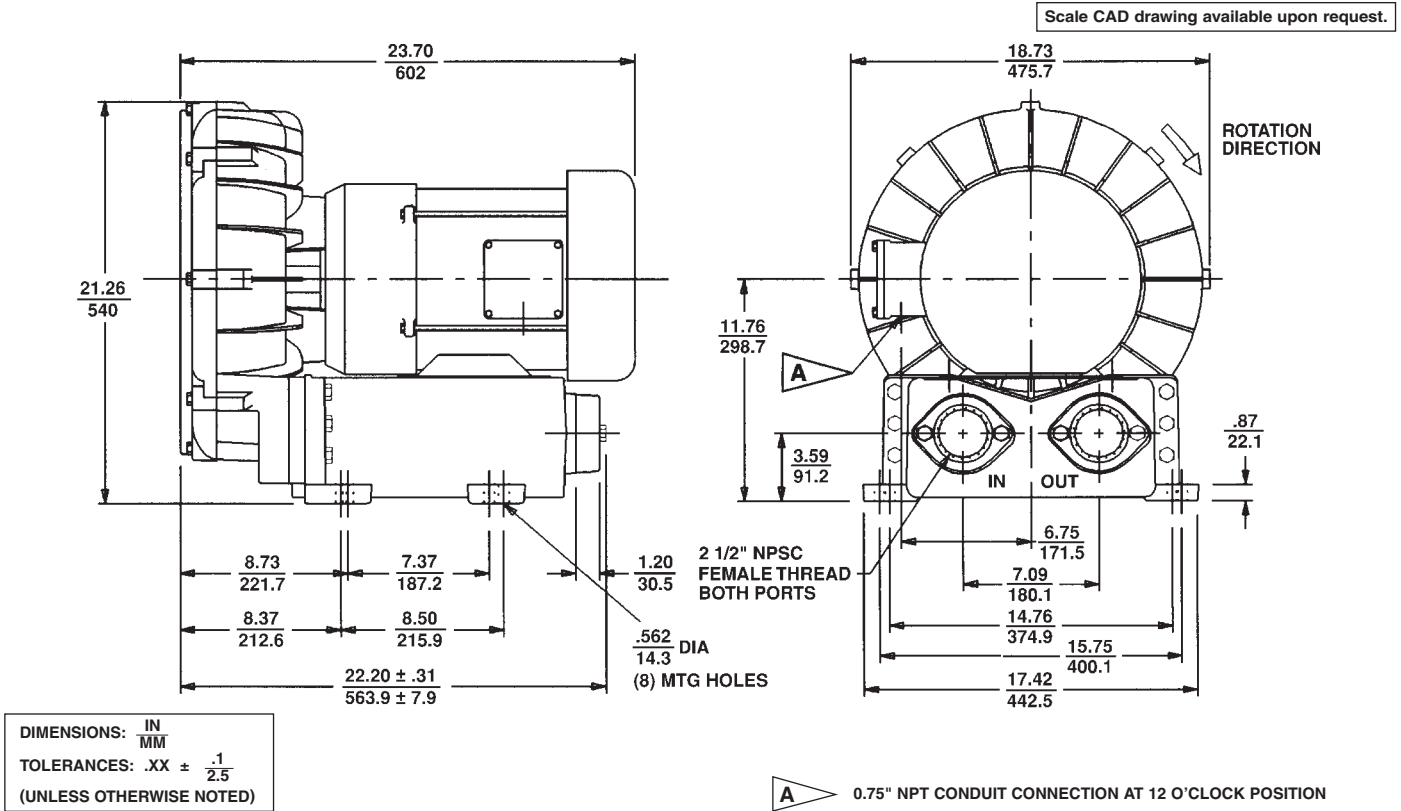
BLOWER PERFORMANCE AT STANDARD CONDITIONS



Rev. 2/04

ROTRON® Regenerative Blowers

EN 808 & CP 808 Three-Phase Sealed Regenerative Blower w/Explosion-Proof Motor



SPECIFICATIONS

MODEL	EN808BA72MXL	EN808BA86MXL	CP808FY72MXLR
Part No.	038729	038731	038976
Motor Enclosure – Shaft Material	Explosion-proof – CS	Explosion-proof – CS	Chem XP – SS
Horsepower	7.5	7.5	Same as EN808BA72MXL – 038729 except add Chemical Processing (CP) features from catalog inside front cover
Phase – Frequency ¹	Three - 60 Hz	Three - 60 Hz	
Voltage ¹	230 460	575	
Motor Nameplate Amps	18.6 9.3	7.4	
Max. Blower Amps ³	20.8 10.4	8.1	
Inrush Amps	126 63	56	
Starter Size	1 1	1	
Service Factor	1.0	1.0	
Thermal Protection ²	Class B - Pilot Duty	Class B - Pilot Duty	
XP Motor Class – Group	I-D, II-F&G	I-D, II-F&G	
Shipping Weight	304 lb (138 kg)	304 lb (138 kg)	

¹ Rotron motors are designed to handle a broad range of world voltages and power supply variations. Our dual voltage 3 phase motors are factory tested and certified to operate on both: **208-230/415-460 VAC-3 ph-60 Hz** and **190-208/380-415 VAC-3 ph-50 Hz**. Our dual voltage 1 phase motors are factory tested and certified to operate on both: **104-115/208-230 VAC-1 ph-60 Hz** and **100-110/200-220 VAC-1 ph-50 Hz**. All voltages above can handle a ±10% voltage fluctuation. Special wound motors can be ordered for voltages outside our certified range.

² Maximum operating temperature: Motor winding temperature (winding rise plus ambient) should not exceed 140°C for Class F rated motors or 120°C for Class B rated motors. Blower outlet air temperature should not exceed 140°C (air temperature rise plus inlet temperature). Performance curve maximum pressure and suction points are based on a 40°C inlet and ambient temperature. Consult factory for inlet or ambient temperatures above 40°C.

³ Maximum blower amps corresponds to the performance point at which the motor or blower temperature rise with a 40°C inlet and/or ambient temperature reaches the maximum operating temperature.

Specifications subject to change without notice. Please consult your Local Field Sales Engineer for specification updates.

Rev. 2/04