



Enviro-Equipment Inc.  
10120 Industrial Drive  
Pineville NC 28134

Serial#: EEI-1339

Status: Tested

Dimensions: 48" W x 96" L x 93" High (with stack) or 70" High (without Stack), 1,392 Pounds

Description: 7.5HP SVE Skid Including Rotron EN808BA72XL 7.5HP 3PH XP Blower, 3" Solberg Inline Vacuum Filter, 2" Dilution Line with Brass Gate Valve and Solberg Filter Silencer, 55 Gallon Epoxy Coated KO Drum with Vacuum Relief Valve and LL, HL, HLA Float Tree for Pump Out, 3/4HP Goulds Transfer Pump, Inlet Manifold with 5 Zones, Each 2" with Ball Valve, Vacuum Gauge, Camlock Fitting, Weatherproof Relay Logic UL 508/698 Complaint Control Panel Wired 230V 3PH, Class 1 Div 2 Group D Outdoor Electrical Installation, All Mounted on 4x8' Steel Skid with 4 Way Fork Pockets.



# ROTRON<sup>®</sup> Regenerative Blowers

## EN 808 & CP 808 Three-Phase Sealed Regenerative Blower w/Explosion-Proof Motor

### FEATURES

- Manufactured in the USA – ISO 9001 compliant
- Maximum flow: 350 SCFM
- Maximum pressure: 90 IWG
- Maximum vacuum: 97 IWG
- Standard motor: 7.5 HP, explosion-proof
- Cast aluminum blower housing, cover, impeller & manifold; cast iron flanges (threaded); teflon lip seal
- UL & CSA approved motor with permanently sealed ball bearings for explosive gas atmospheres Class I Group D minimum
- Sealed blower assembly
- Quiet operation within OSHA standards

### MOTOR OPTIONS

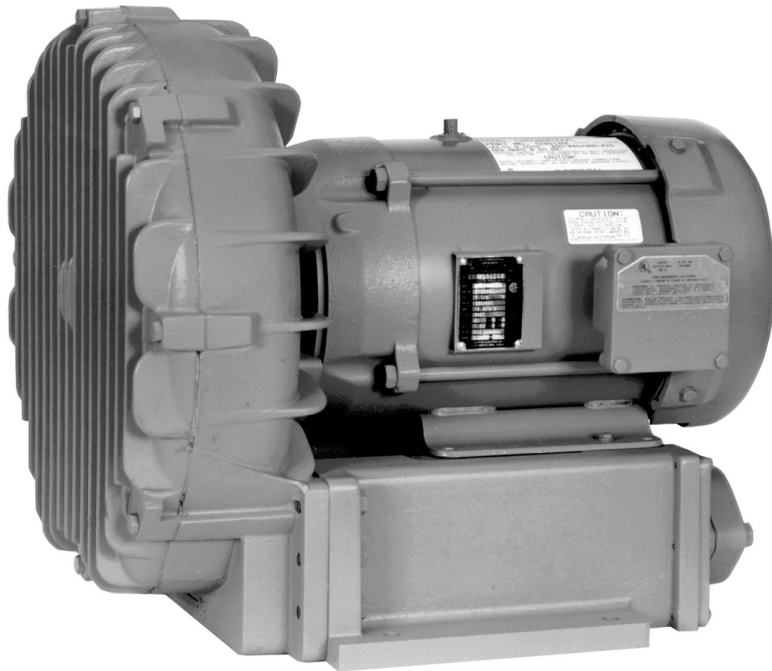
- International voltage & frequency (Hz)
- Chemical duty, high efficiency, inverter duty or industry-specific designs
- Various horsepower for application-specific needs

### BLOWER OPTIONS

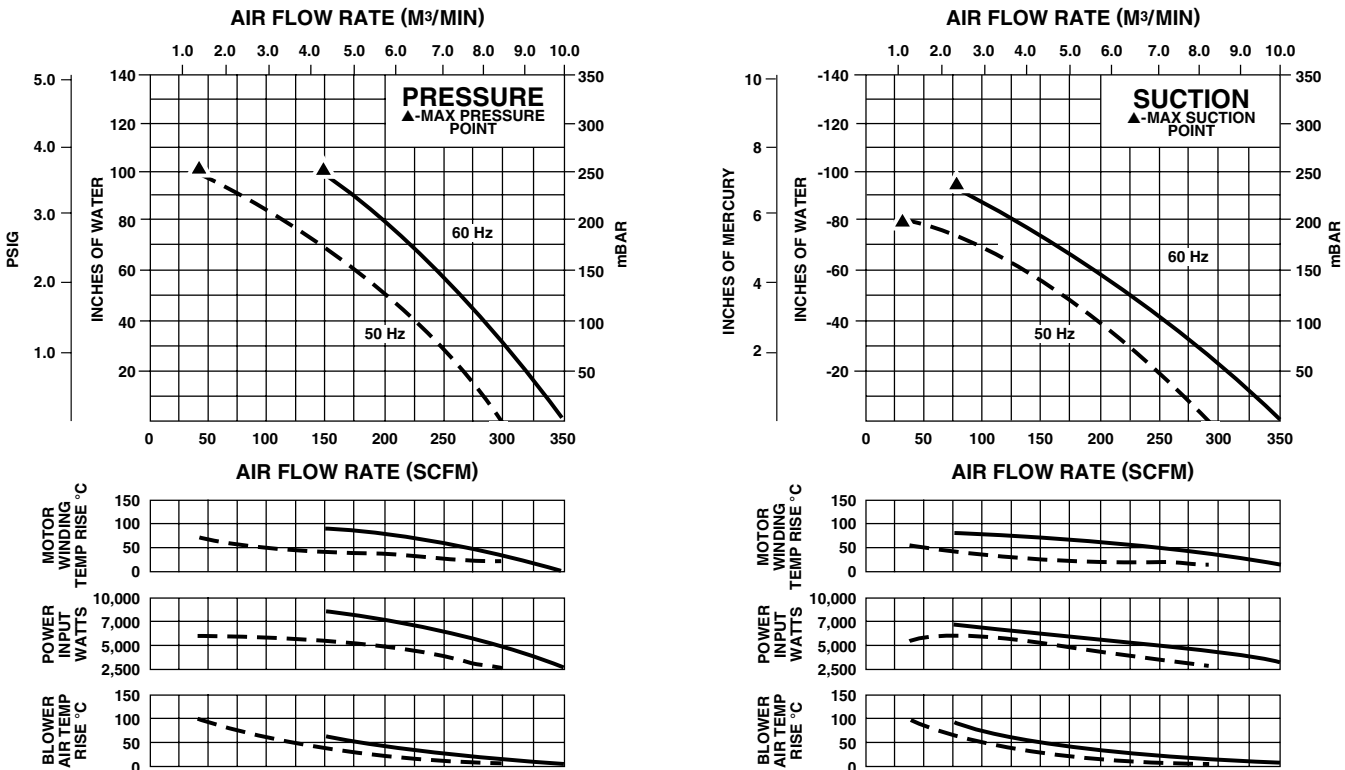
- Corrosion resistant surface treatments & sealing options
- Remote drive (motorless) models
- Slip-on or face flanges for application-specific needs

### ACCESSORIES (See Catalog Accessory Section)

- Flowmeters reading in SCFM
- Filters & moisture separators
- Pressure gauges, vacuum gauges & relief valves
- Switches – air flow, pressure, vacuum or temperature
- External mufflers for additional silencing
- Air knives (used on blow-off applications)
- Variable frequency drive package



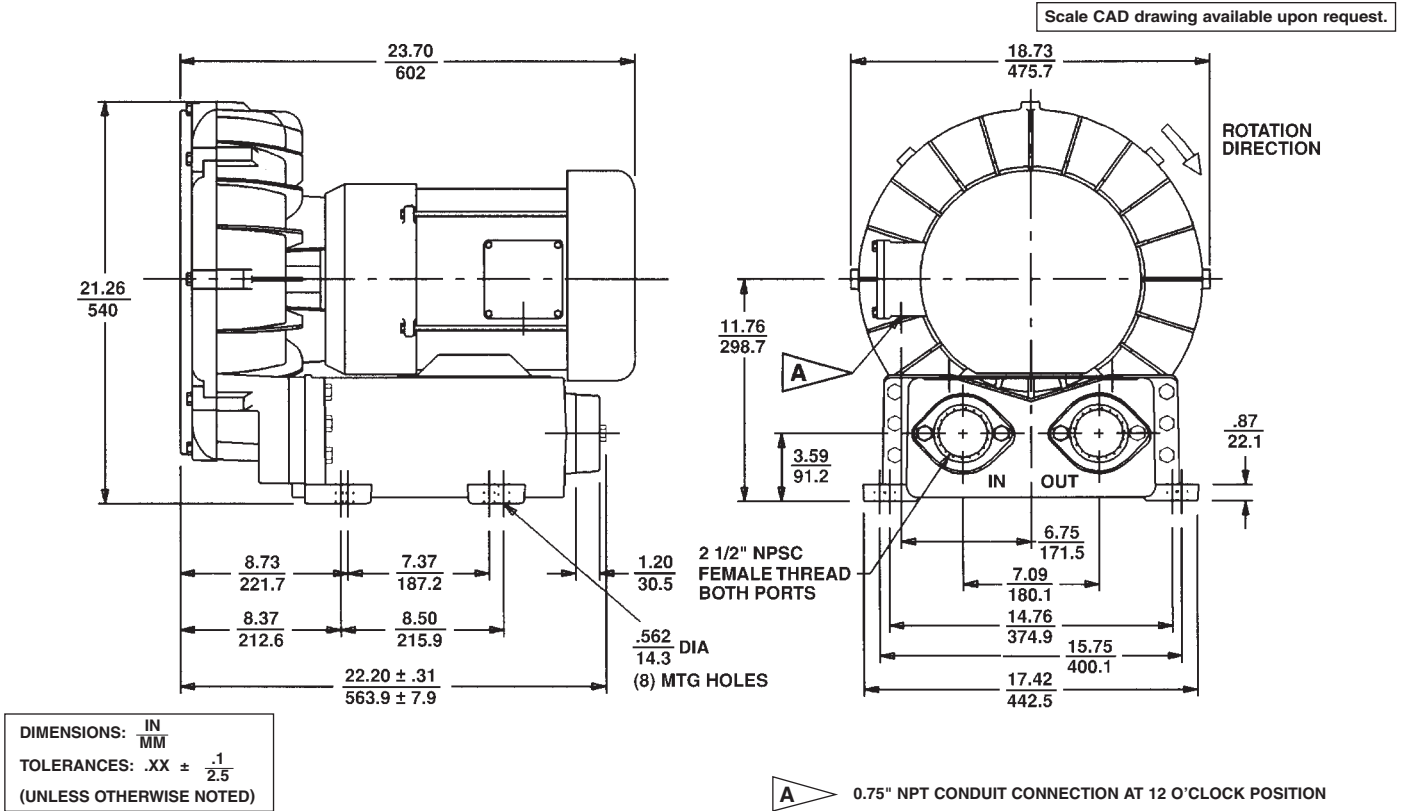
### BLOWER PERFORMANCE AT STANDARD CONDITIONS



Rev. 2/04

# ROTRON® Regenerative Blowers

## EN 808 & CP 808 Three-Phase Sealed Regenerative Blower w/Explosion-Proof Motor



### SPECIFICATIONS

MODEL	EN808BA72MXL		EN808BA86MXL	CP808FY72MXLR
Part No.	038729		038731	038976
Motor Enclosure – Shaft Material	Explosion-proof – CS		Explosion-proof – CS	Chem XP – SS
Horsepower	7.5		7.5	Same as EN808BA72MXL – 038729 except add Chemical Processing (CP) features from catalog inside front cover
Phase – Frequency <sup>1</sup>	Three - 60 Hz		Three - 60 Hz	
Voltage <sup>1</sup>	230	460	575	
Motor Nameplate Amps	18.6	9.3	7.4	
Max. Blower Amps <sup>3</sup>	20.8	10.4	8.1	
Inrush Amps	126	63	56	
Starter Size	1	1	1	
Service Factor	1.0		1.0	
Thermal Protection <sup>2</sup>	Class B - Pilot Duty		Class B - Pilot Duty	
XP Motor Class – Group	I-D, II-F&G		I-D, II-F&G	
Shipping Weight	304 lb (138 kg)		304 lb (138 kg)	

<sup>1</sup> Rotron motors are designed to handle a broad range of world voltages and power supply variations. Our dual voltage 3 phase motors are factory tested and certified to operate on both: **208-230/415-460 VAC-3 ph-60 Hz** and **190-208/380-415 VAC-3 ph-50 Hz**. Our dual voltage 1 phase motors are factory tested and certified to operate on both: **104-115/208-230 VAC-1 ph-60 Hz** and **100-110/200-220 VAC-1 ph-50 Hz**. All voltages above can handle a ±10% voltage fluctuation. Special wound motors can be ordered for voltages outside our certified range.

<sup>2</sup> Maximum operating temperature: Motor winding temperature (winding rise plus ambient) should not exceed 140°C for Class F rated motors or 120°C for Class B rated motors. Blower outlet air temperature should not exceed 140°C (air temperature rise plus inlet temperature). Performance curve maximum pressure and suction points are based on a 40°C inlet and ambient temperature. Consult factory for inlet or ambient temperatures above 40°C.

<sup>3</sup> Maximum blower amps corresponds to the performance point at which the motor or blower temperature rise with a 40°C inlet and/or ambient temperature reaches the maximum operating temperature.

Specifications subject to change without notice. Please consult your Local Field Sales Engineer for specification updates.

Rev. 2/04