



Enviro-Equipment Inc.
10120 Industrial Drive
Pineville NC 28134

SERIAL#: EEI-1332

STATUS: IN STOCK, TESTED

DIMENSIONS: SEE CUT SHEET

DESCRIPTION: Shallow Tray 41231 Stainless Steel Air Stripper, 3 Trays, 8 – 550 GPM
Includes Aeration Blower, Discharge Pump, Pressure Gauge, 480V Control Panel, Skid Mounted





NEEP ShallowTray® Low Profile Air Strippers

- Discreet size designed for smaller spaces, indoors or outdoors
- Removes a wide variety of volatile organic contaminants
- Wide variety of sizes and number of trays used
- Cleaning ports allow easy in-place maintenance, using washing wand and pressure washer
- No removable trays, avoiding air leaks and decreases maintenance time, handling and consumable parts
- Guaranteed performance under specified conditions
- Over 10,000 analytical tests have been performed to confirm favorable results



The NEEP ShallowTray, invented in 1988, was the first low profile air stripper on the market. Since then, over 4,000 units have been installed worldwide. The ShallowTray modeler software program accurately sizes the unit for your application. With this program, equipment performance is guaranteed under specified conditions.

INLET CHAMBER

Influent wastewater enters into the unit through the inlet or optional spray nozzle. The wastewater will then flow over the weir and enter into the aeration trays.

INLET CONNECTIONS

All connections 3" and smaller are FNPT couplings. All connections 4" and larger are flanges

with ANSI 150 pound standard bolt circle. Flanged piping connections conform to ANSI B16.5.

AERATION TRAYS

Units are constructed out of polyethylene or stainless steel.

Once the wastewater starts to flow over the trays, clean air is blown up through 3/16" orific-

es that are strategically spaced in the tray. This injection of clean air will create a froth of bubbles, which generates a large mass transfer surface area. This surface area will volatilize the specified contaminants in the water.

More trays and larger sized units are used to strip the contaminants that require more

residence time to reach optimal volatilization.

The water will flow through a series of aeration tray channels and then flow down through the downcomer to the next tray or water holding sump tank.

OUTLET

Clean water exits the water holding sump tank through the outlet, either by pumped flow or gravity flow discharge.

FEATURES

All units include the following:

- Sump tank
- Cover
- Trays
- Air blower sized to number of trays
- Blower inlet screen and damper
- Mist eliminator
- Water inlet or optional spray nozzle
- Water level sight tube
- Gaskets
- Latches
- Internal piping
- Schedule 80 PVC
- Tray cleanout ports (for stainless steel models only)

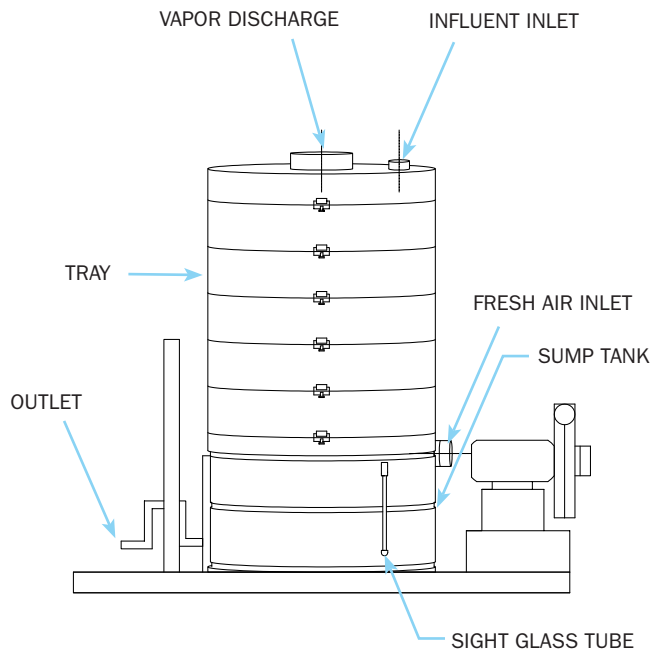
For a full list of options, such as gauges, control panels, and alarm switches, see: hydroquipinc.com/air-strippers

* Dimensions are approximate and do not include Skid. Actual dimensions will vary depending on options or blower selection.

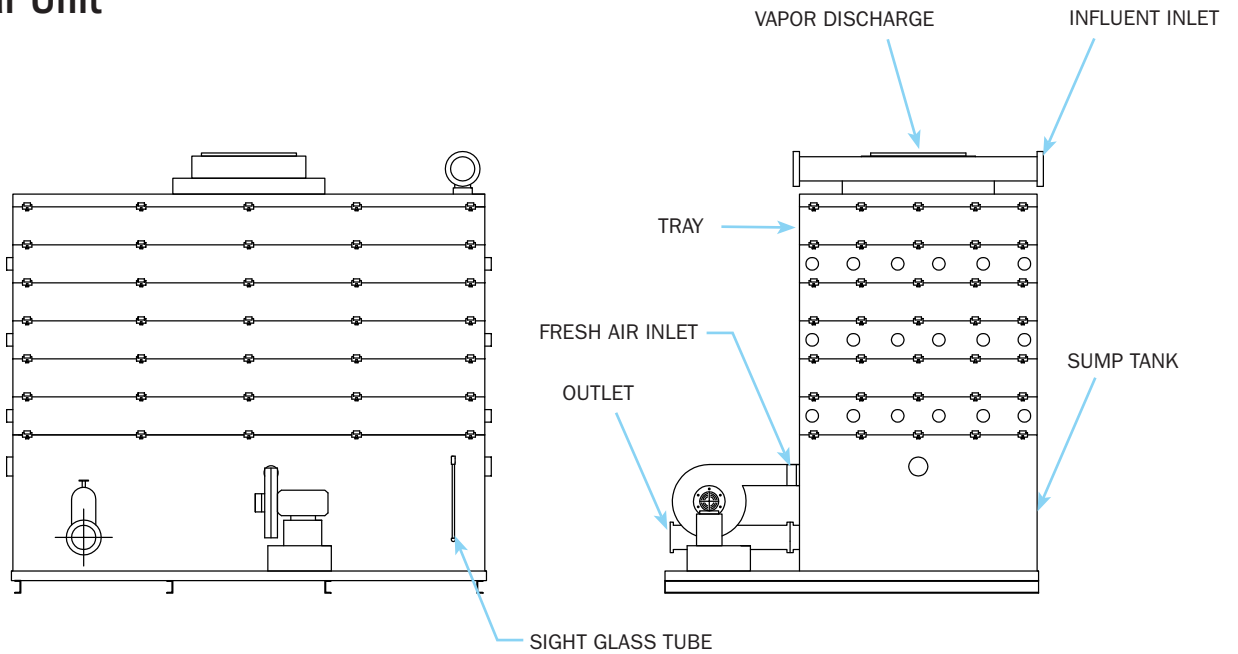
** Induced draft configuration

Model	No. of Trays	Flow Rate (GPM)	Dimensions*			Sump Pump Range (GAL)	Sump Cap. (GAL)	Flood Vol. (GAL)	Airflow SCFM (MIN/MAX)	Delta P (IN-H ₂ O)	Air Duct Dia.		Liquid Connection		
			H	L	W						Sump Inlet	Sump Outlet Cplg.	Inlet	Outlet Pumped	Outlet Gravity
41200 SERIES															
NS-41211	1	8-550	5'7"	12'0"	4'0"	171	442	862	2400/3120	6-10	10"	18"	6" FLG	4" FNPT	10" FLG
NS-41221	2	8-550	6'7"	12'0"	4'0"	171	442	862	2400/3120	10-14	10"	18"	6" FLG	4" FNPT	10" FLG
NS-41231	3	8-550	7'7"	12'0"	4'0"	171	442	862	2400/3120	14-18	10"	18"	6" FLG	4" FNPT	10" FLG
NS-41241	4	8-550	8'7"	12'0"	4'0"	171	442	862	2400/3120	18-22	10"	18"	6" FLG	4" FNPT	10" FLG
NS-41251	5	8-550	9'7"	12'0"	4'0"	171	442	862	2400/3120	22-26	10"	18"	6" FLG	4" FNPT	10" FLG
NS-41261**	6	8-550	10'7"	12'0"	4'0"	171	442	862	2400/3120	26-30	10"	18"	6" FLG	4" FNPT	10" FLG
61200 SERIES															
NS-61211	1	12-1000	5'7"	12'0"	6'0"	256	663	1293	3600/4680	6-10	12"	18"	8" FLG	4" FNPT	12" FLG
NS-61221	2	12-1000	6'7"	12'0"	6'0"	256	663	1293	3600/4680	10-14	12"	18"	8" FLG	4" FNPT	12" FLG
NS-61231	3	12-1000	7'7"	12'0"	6'0"	256	663	1293	3600/4680	14-18	12"	18"	8" FLG	4" FNPT	12" FLG
NS-61241	4	12-1000	8'7"	12'0"	6'0"	256	663	1293	3600/4680	18-22	12"	18"	8" FLG	4" FNPT	12" FLG
NS-61251	5	12-1000	9'7"	12'0"	6'0"	256	663	1293	3600/4680	22-26	12"	18"	8" FLG	4" FNPT	12" FLG
NS-61261**	6	12-1000	10'7"	12'0"	6'0"	256	663	1293	3600/4680	26-30	12"	18"	8" FLG	4" FNPT	12" FLG
81200 SERIES															
NS-81211	1	16-1300	5'7"	12'0"	8'0"	342	884	1724	4800/6240	6-10	12"	18"	8" FLG	4" FNPT	12" FLG
NS-81221	2	16-1300	6'7"	12'0"	8'0"	342	884	1724	4800/6240	10-14	12"	18"	8" FLG	4" FNPT	12" FLG
NS-81231	3	16-1300	7'7"	12'0"	8'0"	342	884	1724	4800/6240	14-18	12"	18"	8" FLG	4" FNPT	12" FLG
NS-81241	4	16-1300	8'7"	12'0"	8'0"	342	884	1724	4800/6240	18-22	12"	18"	8" FLG	4" FNPT	12" FLG
NS-81251	5	16-1300	9'7"	12'0"	8'0"	342	884	1724	4800/6240	22-26	12"	18"	8" FLG	4" FNPT	12" FLG
NS-81261**	6	16-1300	10'7"	12'0"	8'0"	342	884	1724	4800/6240	26-30	12"	18"	8" FLG	4" FNPT	12" FLG

Cylindrical (Polyethylene) Unit



Rectangular Unit



Whether an off-the-shelf unit or customized equipment, we'll help you determine the best solution for your application and site-specific needs.

TEL: 508-399-5771

FAX: 508-399-5352

108 Pond St, Seekonk, MA 02703

hqisales@hydroquipinc.com

www.hydroquipinc.com