



Enviro-Equipment Inc.
10120 Industrial Drive
Pineville NC 28134

Stock#: EEI-1296

Status: In stock, Tested

Dimensions: 438 pounds, 48" L x 49" W x 50" Tall

Description: SVE SKID

Gast R4110N-50 Regenerative Blower
1HP 115/230V 1PH Blower with XP motor box
48" WC Max Vacuum, 90 CFM Max Air Flow

2" Exhaust Muffler Rotron Part# 522948, EEI STOCK# 551

Solberg Air Filter Model CSL-850-200HC, 2" NPT Ports
Replacement Element Number 850

Control Panel Wired 110V 1PH with Hour Meter, Cycle Counter, 24 Hour Timer, Contactor/Overload,
HOA Switch, Power Cord

Gast Knockout Tank with Vacuum Relief Valve and Dwyer L6 XP High Level Float Switch, Manual Ball
Valve Drain with Barb





GAST MANUFACTURING, INC.
 A Unit of IDEX Corporation
 Post Office Box 97
 Benton Harbor, Michigan
 Ph: 269/926-6171
 Fax: 269/925-8288

PART NUMBER:

LTD142

REV.

D

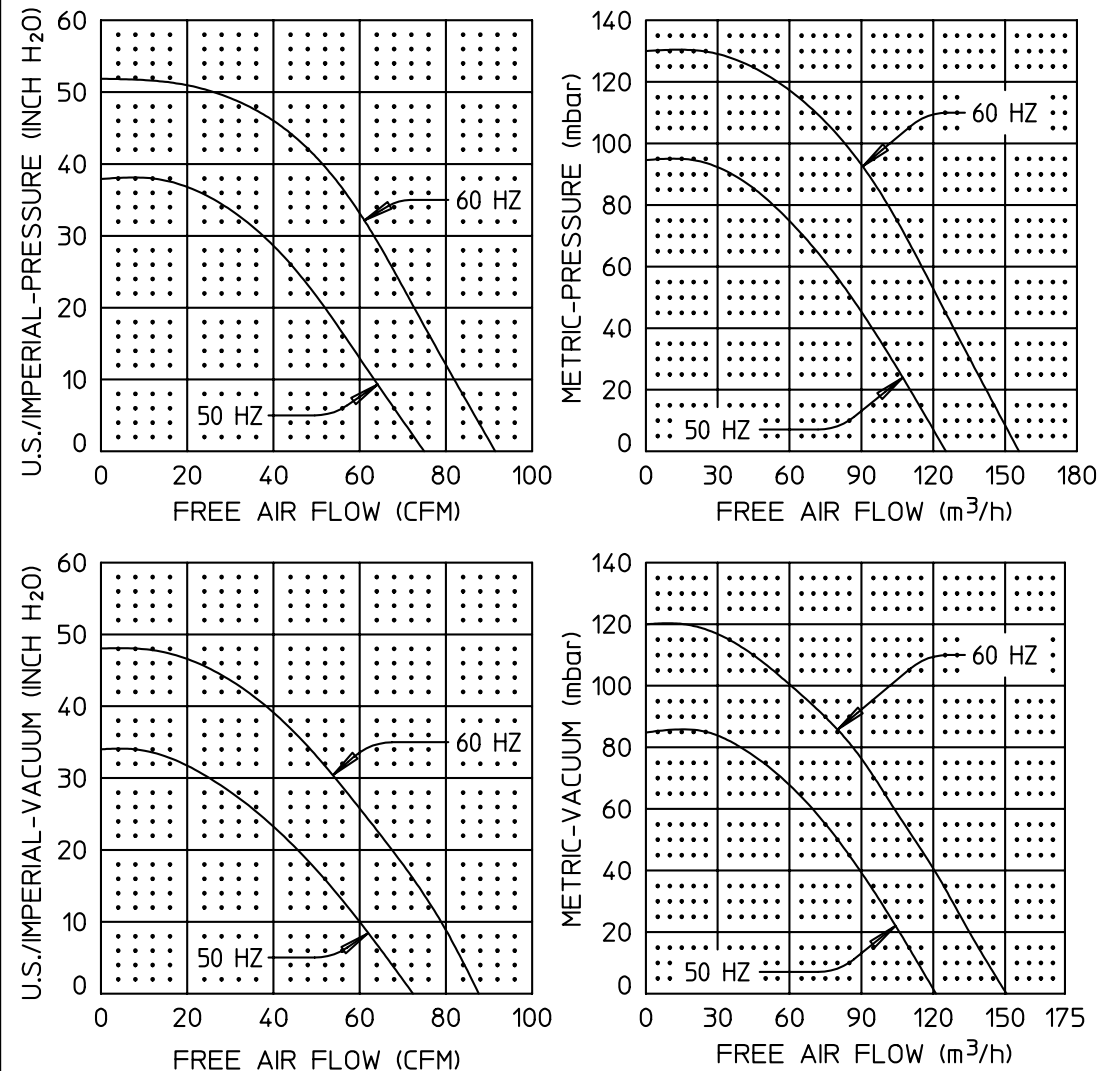
Product Specifications

MODEL NUMBER	MOTOR SPECIFICATIONS	RPM	MAX VAC		MAX PRESS		HP	kW	NET WT.	
			"H ₂ O	mbar	"H ₂ O	mbar			lbs.	kg
R4110-2	110/220-240-50-1	2850	34	85	38	95	0.6	0,45	41	18,6
R4110-3	115/208-230-60-1	3450	48	120	52	130	1.0	0,75		

SOUND LEVEL 68/64 dB(A) MAX. @ 60/50 Hz
 NORMAL AMBIENT -29°C TO 40°C
 RELATIVE HUMIDITY 0% - 100% NON CONDENSING
 ENVIRONMENT CLEAN DUST FREE

TECHNICAL DATA SUBJECT TO CHANGE WITHOUT NOTICE.

Product Performance (Metric U.S. Imperial)



PERFORMANCE DATA
 THE PERFORMANCE DATA SHOWN WAS DETERMINED UNDER THE FOLLOWING CONDITIONS:

LINE VOLTAGE @ 60 Hz. 230V OR 460V FOR 3 PHASE UNITS. 115V OR 230V FOR 1 PHASE UNITS.

LINE VOLTAGE @ 50 Hz. 220V FOR 3 PHASE OR 1 PHASE UNITS.

UNITS IN A TEMPERATURE STABLE CONDITION.

DELIVERY MEASUREMENTS MADE WITH OUTPUT PORT THROTTLED.

SUCTION MEASUREMENTS MADE WITH INPUT PORT THROTTLED.

TEST CONDITIONS: INLET AIR DENSITY @ 0.075 lbs. per cu. ft. [20°C (68°F), 29.92" Hg (14.7 PSIA)].

NORMAL PERFORMANCE VARIATIONS ON THE RESISTANCE CURVE WITHIN ±10% OF SUPPLIED DATA CAN BE EXPECTED

Product Dimensions

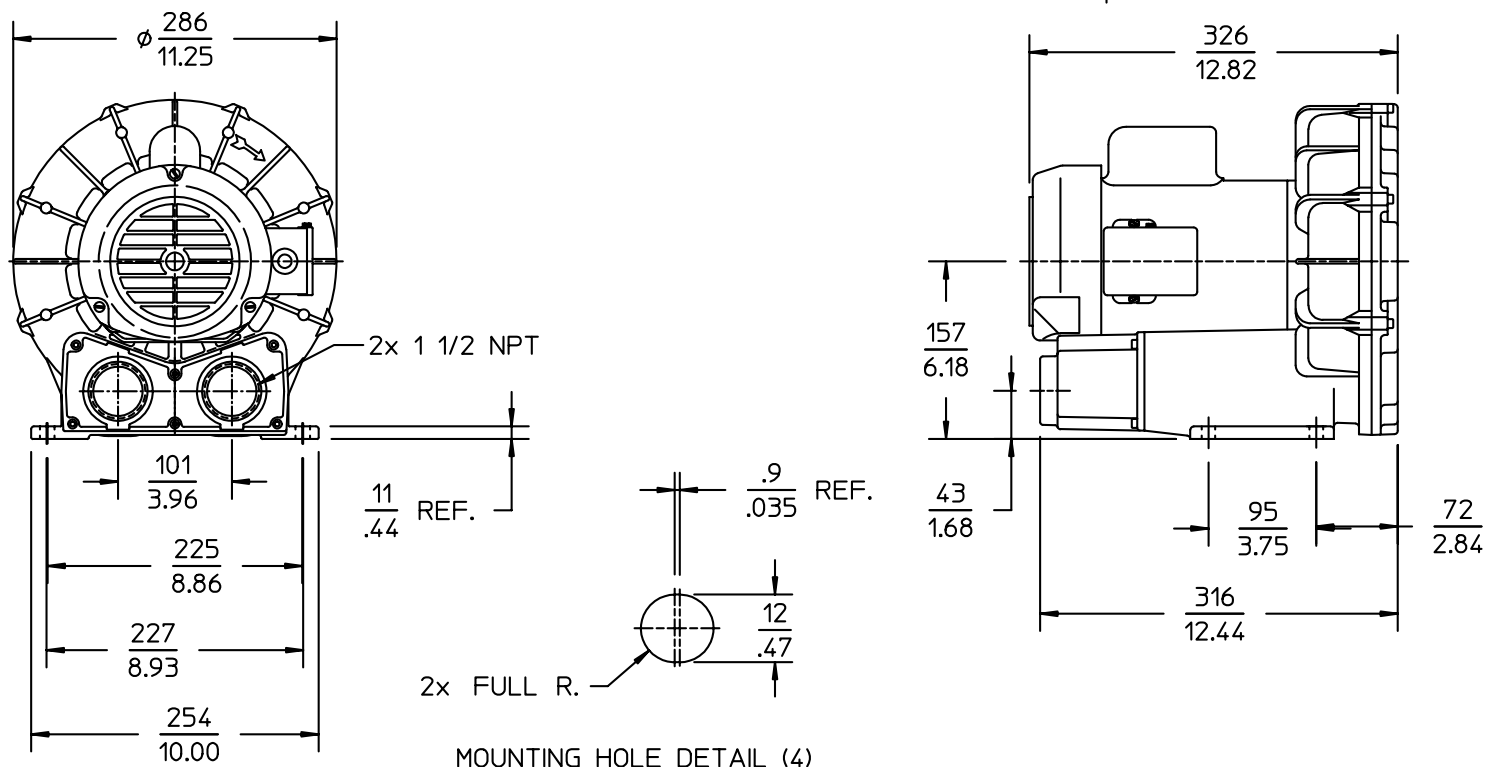
Metric (mm) / U.S. Imperial (inches)

Low Voltage, Single Phase

- Blue P1 Line
- Brown P2
- Black 5 Tie Together Insulate
- Orange 3
- White 2 Tie Together Line
- Yellow 4

High Voltage, Single Phase

- Blue P1 Line
- Brown P2 Insulate
- Black 5 Tie Together Insulate
- Orange 3
- White 2
- Yellow 4 Line



Wiring Diagram