



E EI-1295 Gast 2067 Compressor, Air Sparge Skid

SPECIFICATIONS

Skid Dimensions: 40" x 24" x 50"

Skid Weight: 273 lbs.

Description: Air Sparge Skid
Gast 2067-P118 Air Compressor, 17 CFM Max, 15 PSIG Max

1.5HP 1PH 115/230V Motor
Gast AJ126C Air Filter
Replacement Element AJ134C

3 - Zone Air Sparge Manifold
Brass Ball Valves
0 – 15 PSIG Pressure Gauges
3 to 25 CFM Dwyer Rotameters
Quick Connect End Fittings

115V Control Panel with Blower HOA Switch, Run Hours,
Cycle Counter, 24 Hour Timer, Power Cord





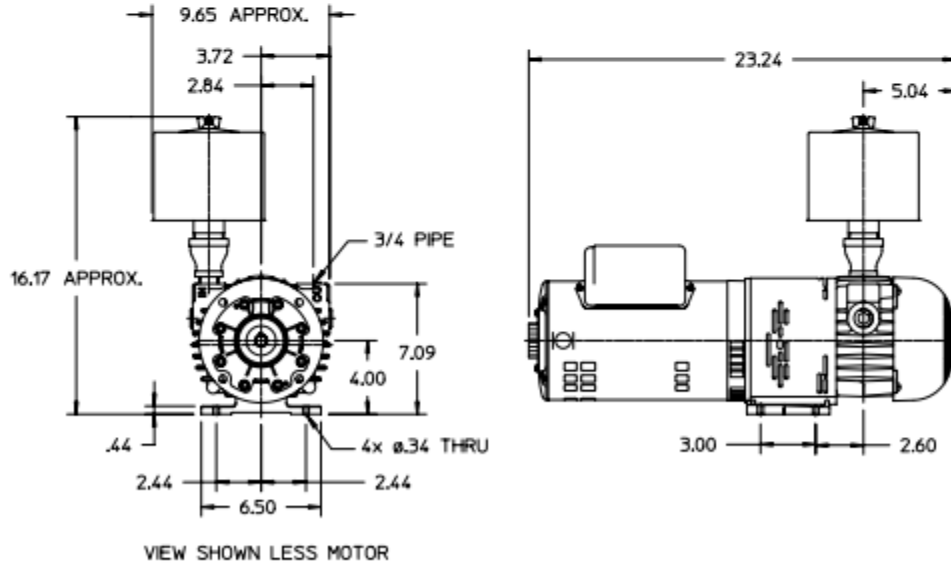
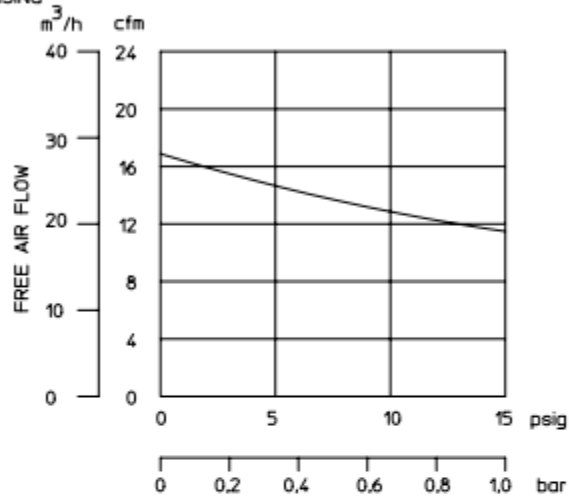
Enviro-Equipment, Inc.

Remediation Division

	GAST MANUFACTURING, INC. A Unit of IDEX Corporation Post Office Box 97 Benton Harbor, Michigan Ph: 269/926-6171 Fax: 269/925-8288	PART NUMBER <h2 style="margin: 0;">STD470</h2>	REV.: <h2 style="margin: 0;">A</h2>
--	--	---	--

- NOTES:
1. TECHNICAL DATA SUBJECT TO CHANGE WITHOUT NOTICE.
 2. THIS PUMP MUST BE WIRED AND ENCLOSED IN CONFORMANCE WITH APPLICABLE LOCAL, STATE, NATIONAL OR INTERNATIONAL REGULATIONS.

SOUND LEVEL 86 dB(A) MAX.
 NORMAL AMBIENT +1 degC - +40 degC
 RELATIVE HUMIDITY 8% - 100% NON-CONDENSING
 ENVIRONMENT CLEAN DUST FREE



Product Specifications							
Model Number	Motor	RPM		HP	kW	Net Wt.	
		60 cycle	50 cycle			lbs.	kg
2067-P118-G470X	115/230	1725	X	15	1.11	91	41.0