



Enviro-Equipment Inc.
Remediation Division
10120 Industrial Drive
Pineville NC 28134
704 556 7723

S/N: EEI-1232

Date: 8-29-11

Status: in stock, tested, needs refurb

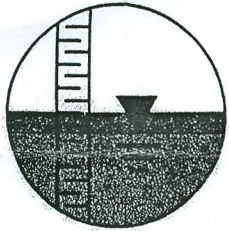
Dimensions:

Description: Stat 30 Air Stripper - 4 Trays with blower on skid

- Carbon Air Stat 30 Stainless Steel Air Stripper
 - o 4 Trays
 - o Sump Capacity 30 Gallons
 - o Flow Range 1 to 40 Gallons per Minute (GPM)
 - o Air Flow 150 (CFM)
- Gast Blower
 - o Model R6130Q-50
 - o 2" Ports



1227



Enviro-Equipment Inc.
Remediation Division
10120 Industrial Drive
Pineville NC 28134
Phone 704 556 7723
Fax 704 556 7228
remediation@enviroequipment.com

E EI-1232

A/STR. #1

Remediation Blower Motor Check Sheet

Inspector: Date: Quote/Job #:

Blower Info

Motor Info

MFG:	<input type="text" value="GAST"/>	MFG:	<input type="text"/>	HP:	<input type="text"/>
Model:	<input type="text" value="R6130Q-50"/>	Model:	<input type="text"/>	RPM:	<input type="text"/>
Serial:	<input type="text"/>	Serial:	<input type="text"/>	Voltage:	<input type="text"/>
Port Size:	<input type="text" value="2"/>	Cat #:	<input type="text"/>	Amp:	<input type="text"/>
		Frame:	<input type="text"/>	Phase:	<input type="text"/>
		Class:	<input type="text"/>	HZ:	<input type="text"/>
		ENCL:	<input type="text"/>	INS CL:	<input type="text"/>
		SF:	<input type="text"/>	DUTY:	<input type="text"/>
		AMB:	<input type="text"/>	CODE:	<input type="text"/>
		Nema Nom Eff:	<input type="text"/>	Shaft Size:	<input type="text"/>

Pic # 100-4225

4 TRAYS
Needs cleaned

2" IN

3" OUT

4" Blower IN TO SUMP

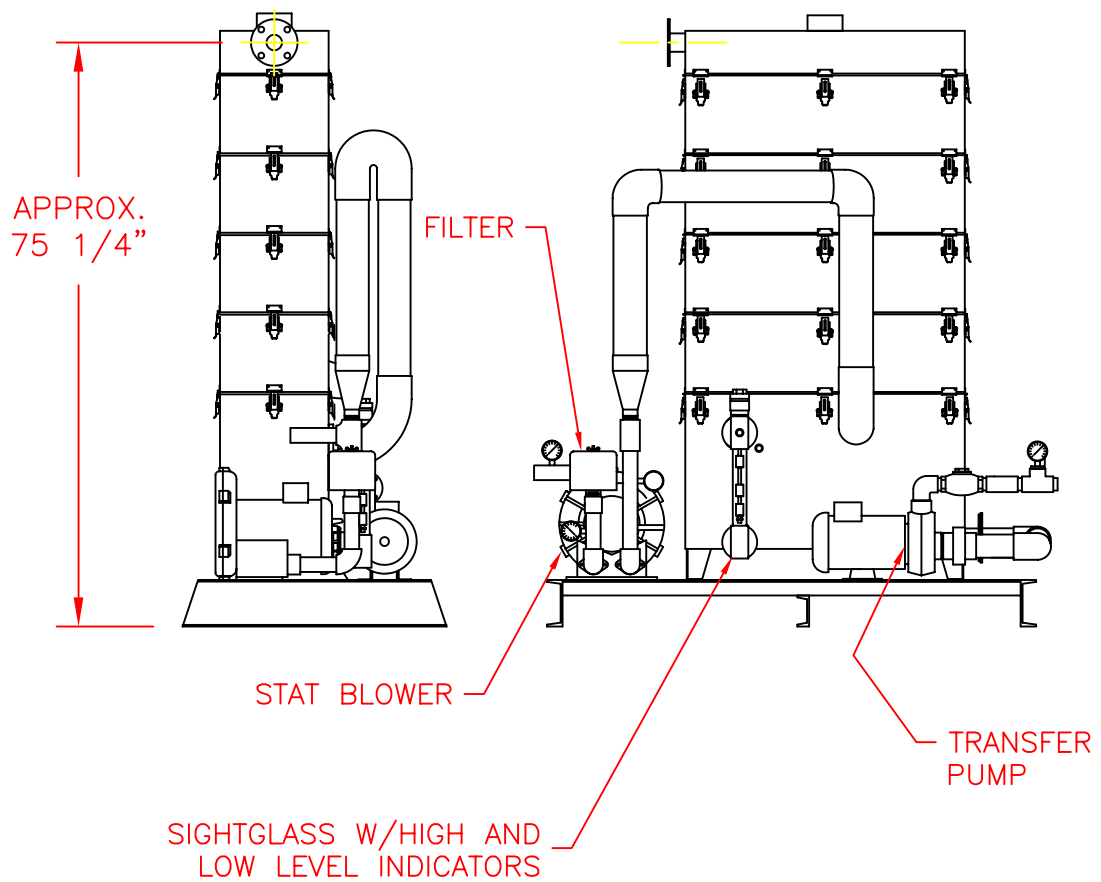
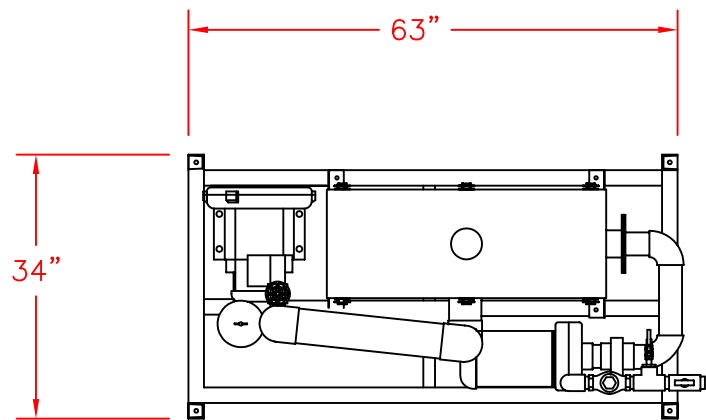
TEST RUN

Pre Startup Voltage		Run Voltage		No Load Amperage		Full Load Amperage	
AB:	<input type="text"/>	AB:	<input type="text"/>	A:	<input type="text"/>	A:	<input type="text"/>
BC:	<input type="text"/>	BC:	<input type="text"/>	B:	<input type="text"/>	B:	<input type="text"/>
AC:	<input type="text"/>	AC:	<input type="text"/>	C:	<input type="text"/>	C:	<input type="text"/>

Pressure/Vac:

Inspector Comments:

Blower runs but trips circuit breaker, May be repairable. Air Stripper OK. Has pressured SW. Needs work HLA, Pump control Floats Pressure Switch



NOTE: Adjust overall height by 10 1/4" for each aeration tray added or deleted.
Influent flange on the same side as effluent with odd number of trays.