



Enviro-Equipment Inc.
10120 Industrial Drive
Pineville NC 28134

Shallow Tray Air Stripper Systems

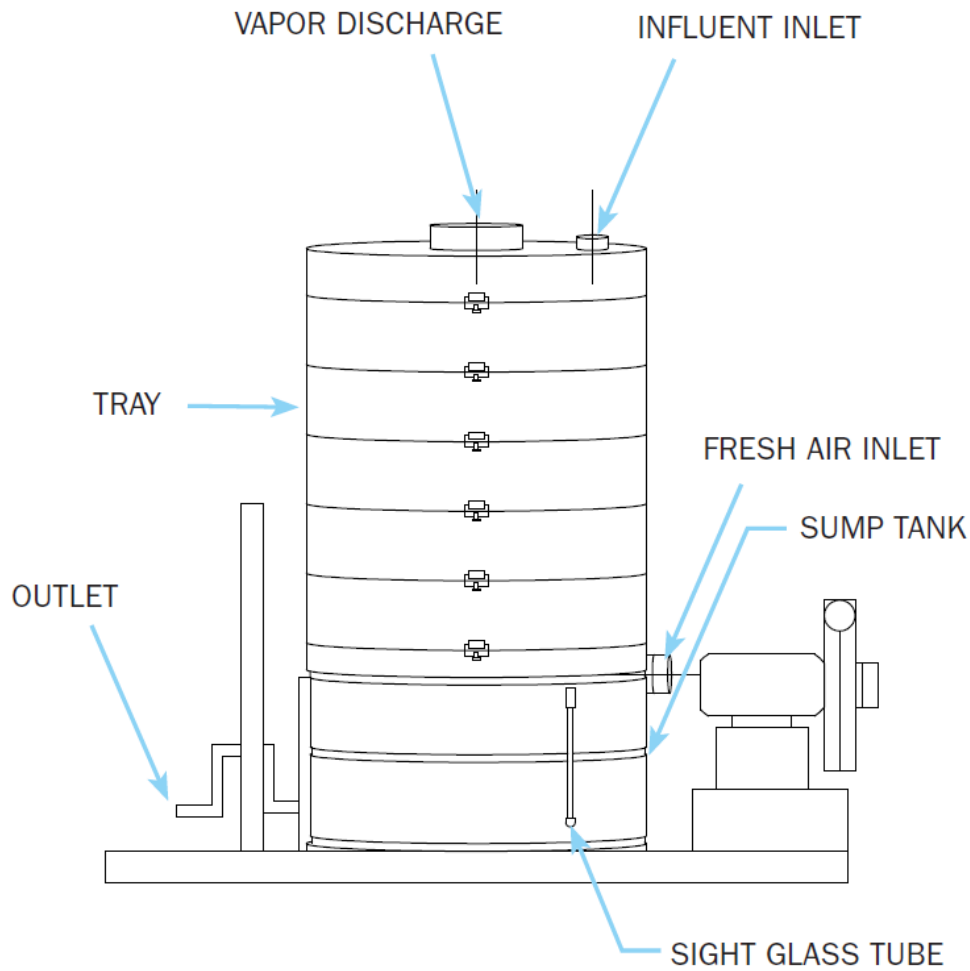
Enviro-Equipment Inc. is an OEM for Shallow Tray Air Stripper Systems. We will custom build an Air Stripper System to your specifications utilizing the Shallow Tray Air Stripper Sump and Trays along with Cincinnati Fan or Rotron Regenerative Blowers, Gravity Drain or Goulds Transfer Pumps, Various Level Control and Pressure Switch Options, Gauges and Flow Meters, and our own 508/698 UL Compliant Control Panels. We can mount the Air Stripper Systems on steel skids, on open trailers, or inside enclosed cargo trailers or shipping containers. Both Weatherproof and Explosion Proof Wiring options are available.





Enviro-Equipment Inc.
10120 Industrial Drive
Pineville NC 28134

Shallow Tray Air Stripper Cylindrical Polyethylene Units

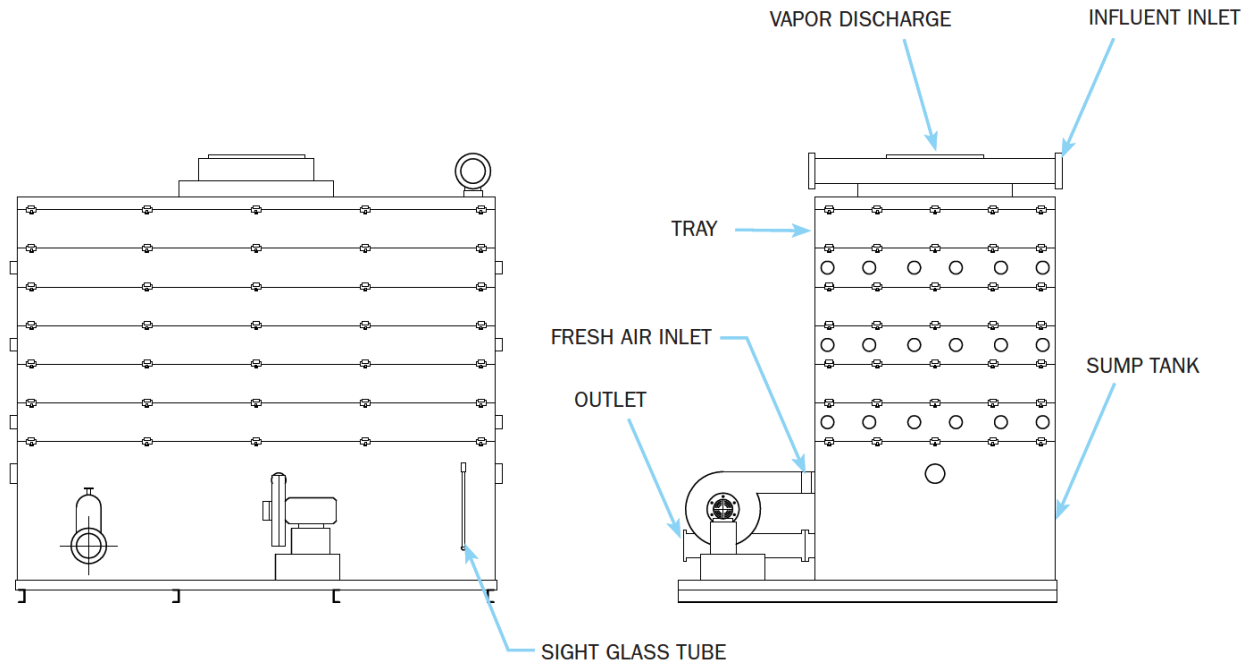


Model	No. of Trays	GPM	SCFM	Air Inlet	Air Outlet	Water Inlet	Water Outlet (Pump)	Water Outlet (Gravity)
1300P Series								
1311P	1	0.5-15	150-195	8"	6"	1" FNPT	2" FNPT	2" FNPT
1321P	2							
1331P	3							
1341P	4							
2300P Series								
2311P	1	1-50	300-390	8"	6"	2" FNPT	3" FNPT	3" FNPT
2321P	2							
2331P	3							
2341P	4							
2351P*	5							



Enviro-Equipment Inc.
10120 Industrial Drive
Pineville NC 28134

Shallow Tray Air Stripper Rectangular Stainless Steel Units



Model	No. of Trays	GPM	SCFM	Air Inlet	Air Outlet	Water Inlet	Water Outlet (Pump)	Water Outlet (Gravity)
1300 Series								
1311	1	0.5-22	150-195	8"	6"	1.25" FNPT	2" FNPT	2" FNPT
1321	2							
1331	3							
1341	4							
1351	5							
1361*	6							
2300 Series								
2311	1	1-45	300-390	8"	6"	2" FNPT	3" FNPT	3" FNPT
2321	2							
2331	3							
2341	4							
2351	5							
2361	6							



Enviro-Equipment Inc.
10120 Industrial Drive
Pineville NC 28134

Shallow Tray Air Stripper Rectangular Stainless Steel Units

Model	No. of Trays	GPM	SCFM	Air Inlet	Air Outlet	Water Inlet	Water Outlet (Pump)	Water Outlet (Gravity)
2600 Series								
2611	1	2 – 115	600-780	8"	8"	2" FNPT	4" FNPT	4" FLG
2621	2							
2631	3							
2641	4							
2651	5							
2661*	6							
3600 Series								
3611	1	3-160	900 – 1170	8"	10"	3" FNPT	4" FNPT	6" FLG
3621	2							
3631	3							
3641	4							
3651	5							
3661*	6							
31200 Series								
31211	1	6-425	1800 – 2340	10"	16"	4" FLG	4" FNPT	8" FLG
31221	2							
31231	3							
31241	4							
31251	5							
31261*	6							
41200 Series								
41211	1	8-550	2400 – 3120	10"	18"	6" FLG	4" FNPT	10" FLG
41221	2							
41231	3							
41241	4							
41251	5							
41261*	6							
61200 Series								
61211	1	12 - 1000	3600 – 4680	12"	18"	8" FLG	4" FNPT	12" FLG
61221	2							
61231	3							
61241	4							
61251	5							
61261*	6							



Enviro-Equipment Inc.
 10120 Industrial Drive
 Pineville NC 28134

Shallow Tray Air Stripper Rectangular Stainless Steel Units

Model	No. of Trays	GPM	SCFM	Air Inlet	Air Outlet	Water Inlet	Water Outlet (Pump)	Water Outlet (Gravity)
81200 Series								
81211	1	16 – 1300	4800 – 6240	12"	18"	8" FLG	4" FNPT	12" FLG
81221	2							
81231	3							
81241	4							
81251	5							
81261*	6							

*Requires induced draft blower configuration