

# MINK MM 1104-1142 BP

Dry claw compressors



## Flexible

Designed for numerous industrial applications of up to 2.0 bar(g), inlet filter and pressure relief valve as standard

## Reliable

Effective air cooling, constantly high volume flow throughout the entire life cycle

## Nearly maintenance-free

Dry and contact-free compression

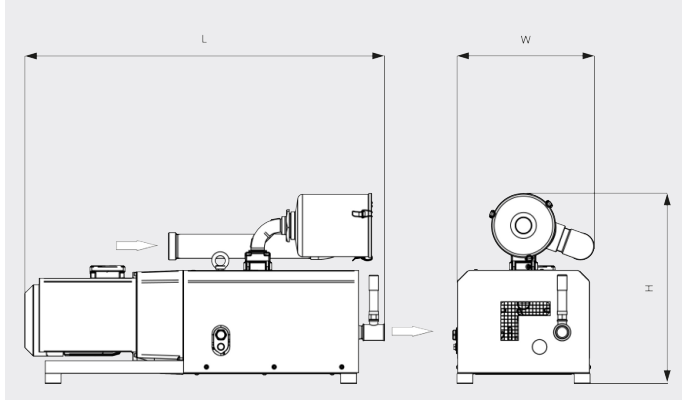
# MINK MM 1104-1142 BP

Dry claw compressors



VACUUM SOLUTIONS

Dimensional drawing



Volume flow

Air at 70°F. Tolerance: ± 10%



MINK MM 1104 BP	
Volume flow	44.0 ACFM
Overpressure (at inlet)	11.6 PSIG
Nominal motor rating	3.2 – 5.6 HP
Nominal motor speed	1800 RPM
Noise level (ISO 2151)	73 dB(A)
Weight approx.	388 Lbs.
Dimensions (L x W x H)	42.5 x 16.9 x 23.3 inches
Gas outlet	1¼" NPT

MINK MM 1144 BP	
Volume flow	57.0 ACFM
Overpressure (at inlet)	14.5 PSIG
Nominal motor rating	4.6 – 7.1 HP

# MINK MM 1104-1142 BP

Dry claw compressors



VACUUM SOLUTIONS

MINK MM 1144 BP	
Nominal motor speed	1800 RPM
Noise level (ISO 2151)	73 dB(A)
Weight approx.	411 Lbs.
Dimensions (L x W x H)	46.4 x 16.9 x 23.3 inches
Gas outlet	1¼" NPT

MINK MM 1102 BP	
Volume flow	79.0 ACFM
Overpressure (at inlet)	10.2 PSIG
Nominal motor rating	9.1 - 12.7 HP
Nominal motor speed	3600 RPM
Noise level (ISO 2151)	81 dB(A)
Weight approx.	436 Lbs.
Dimensions (L x W x H)	46.3 x 16.9 x 23.3 inches
Gas outlet	G 1¼"

MINK MM 1142 BP	
Volume flow	103.0 ACFM
Overpressure (at inlet)	14.5 PSIG
Nominal motor rating	12.7 - 16.9 HP
Nominal motor speed	3600 RPM
Noise level (ISO 2151)	81 dB(A)
Weight approx.	456 Lbs.
Dimensions (L x W x H)	47.4 x 16.9 x 23.3 inches
Gas outlet	1¼" NPT

## DO YOU WANT TO KNOW MORE?

Get in touch with us directly!  
[info@buschusa.com](mailto:info@buschusa.com) or +1 757 463 7800



CONTACT FORM



CALL NOW