



Enviro-Equipment Inc.
10120 Industrial Drive
Pineville NC 28134

Stock#: 1619

Status: In Stock

Used Rotron EN6F72L, 5HP, 230/460 V, 3-Phase XP Blower

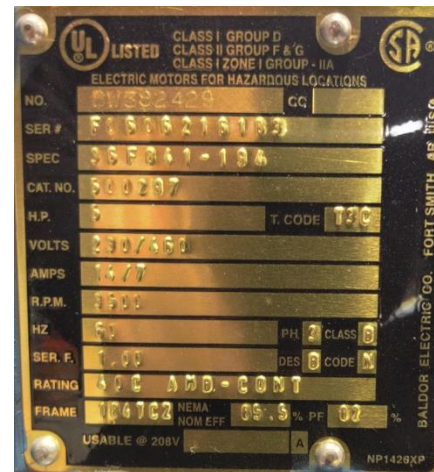
Dimensions: (Blower Only) 20.5" x 16.38" x 16.69" Weight: 176 Lbs.

Blower:

MFG- Ametek
Model- EN6F72L
Serial- Work Order: BP398518
Port size- 1 1/2"

Motor:

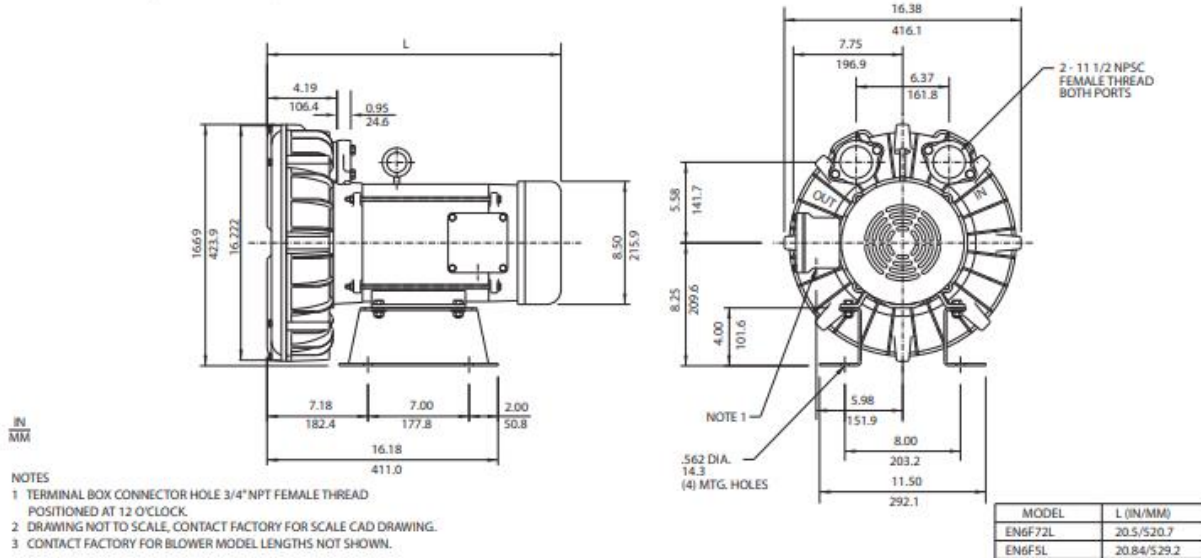
MFG- Baldor
Model-BW382429
Serial-36F841-196
CAT#-500297
Frame-184TCZ
Class-B
SF-1.00
AMB- 40C
HP- 5
RPM- 3500
Voltage- 230/460
AMP- 14/7
Phase- 3
Hz- 60
DUTY- Cont.
CODE-N





Enviro-Equipment Inc.
10120 Industrial Drive
Pineville NC 28134

5.0 HP Sealed Regenerative w/Explosion-Proof Motor



- NOTES
- 1 TERMINAL BOX CONNECTOR HOLE 3/4" NPT FEMALE THREAD POSITIONED AT 12 O'CLOCK.
 - 2 DRAWING NOT TO SCALE, CONTACT FACTORY FOR SCALE CAD DRAWING.
 - 3 CONTACT FACTORY FOR BLOWER MODEL LENGTHS NOT SHOWN.

Specification	Units	Part/Model Number				
		EN6F5L 038361	EN6F72L 038180	EN6F86L 038438	CP6FW5LR TBD	CP6FW72LR 038978
Motor Enclosure - Shaft Mtg.	-	Explosion-proof-CS	Explosion-proof-CS	Explosion-proof-CS	CHEM XP-SS	CHEM XP-SS
Horsepower	-	5.0	5.0	5.0	5.0	5.0
Phase - Frequency Voltage	-	Single-60 hz	Three-60 hz	Three-60 hz	Single-60 hz	Three-60 hz
Motor Nameplate Amps	AC	230	230/460	575	230	230/460
Max. Blower Ampe	Amps (A)	19.5	14/7	5.7	19.5	14/7
Locked Rotor Amps	Amps (A)	23	14/7	8.3	23	14/7
Service Factor	Amps (A)	175	182/76	38	175	182/76
Starter Size	-	2	1/0	0	2	1/0
Thermal Protection	-	1.0	1.0	1.0	1.0	1.0
XP Motor Class - Group	-	Class B - Pilot Duty	Class B - Pilot Duty	Class B - Pilot Duty	Class B - Pilot Duty	Class B - Pilot Duty
	-	I-D, II-F&G	I-D, II-F&G	I-D, II-F&G	I-D, II-F&G	I-D, II-F&G
Shipping Weight	Lbs	190	167	167	190	167
	Kg	86.2	75.7	75.7	86.2	75.7

Voltage - ROTRON motors are designed to handle a broad range of world voltages and power supply variations. Our dual voltage 3 phase motors are factory tested and certified to operate on both: 208-230/415-460 VAC-3 ph-60 Hz and 190-208/380-415 VAC-3 ph-50 Hz. Our dual voltage 1 phase motors are factory tested and certified to operate on both: 104-115/208-230 VAC-1 ph-60 Hz and 100-110/200-220 VAC-1 ph-50 Hz. All voltages above can handle a ±10% voltage fluctuation. Special wound motors can be ordered for voltages outside our certified range.

Operating Temperatures - Maximum operating temperature: Motor winding temperature (winding rise plus ambient) should not exceed 140°C for Class F rated motors or 120°C for Class B rated motors. Blower outlet air temperature should not exceed 140°C (air temperature rise plus inlet temperature). Performance curve maximum pressure and suction points are based on a 40°C inlet and ambient temperature. Consult factory for inlet or ambient temperatures above 40°C.

Maximum Blower Amps - Corresponds to the performance point at which the motor or blower temperature rise with a 40°C inlet and/or ambient temperature reaches the maximum operating temperature.

XP Motor Class - Group - See Explosive Atmosphere Classification Chart in Section I



Enviro-Equipment Inc.
 10120 Industrial Drive
 Pineville NC 28134

Flow Curves:

