



Used Rotron DR707D89MX, 5HP, 3PH, 208-230/460 TEFC Regenerative Blower

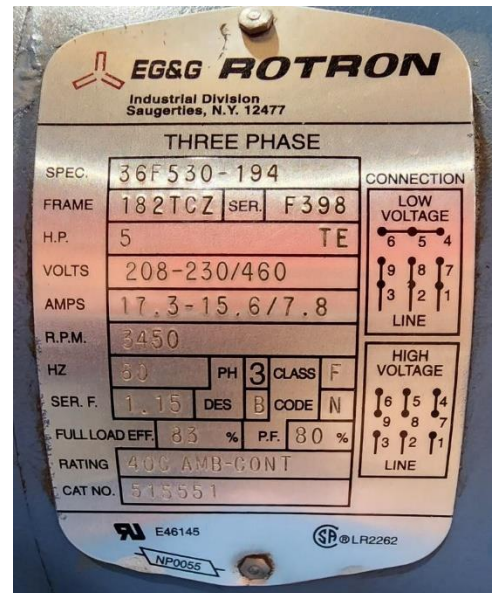
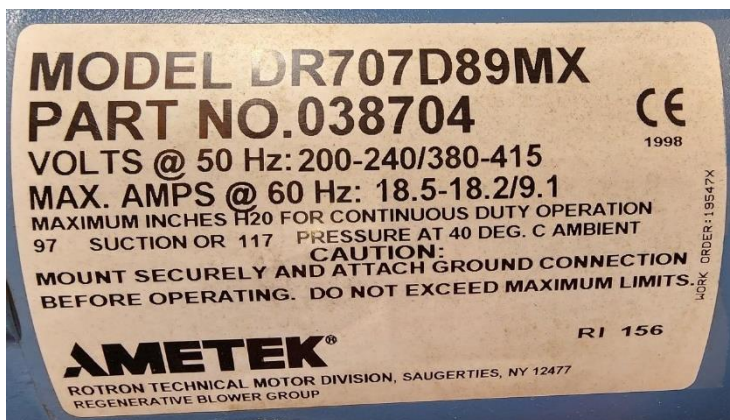
SPECIFICATIONS

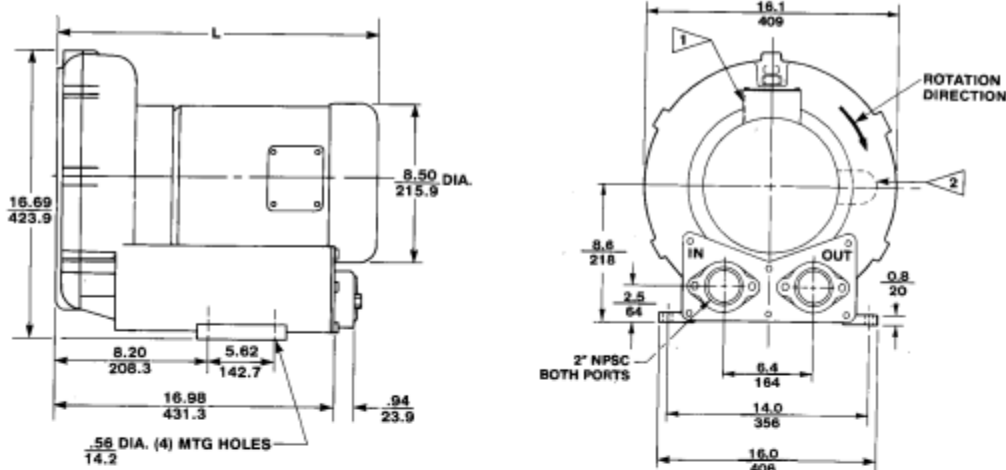
Dimensions: 18.17 x 16" x 16.89"

Weight: 169-Lbs. (Blower Only)

Brand: Rotron
Model: DR707D89MX
Max Pressure: 117" H2O
Max Vacuum: 97" H2O
Max Air Flow: 280 SCFM

Motor: EG&G
Explosion Proof: No
Horsepower: 5
Phase: 3
Voltage: 208-230/460
RPM: 3450





Model	L (IN)	L (MM)
DR707D89X	18.17	461.5
DR707K72K	18.17	461.5
DR707F72X	20.49	520.4
DR70786X	18.17	461.5
DR707D5X	19.67	499.6
DR707K9X	17.5	444.5

- 1 T'BOX CONNECTION 1.06" DIA. ON TEFC MOTORS, .75 NPT ON XP MOTORS
- 2 LOCATION OF CAPACITOR ON SINGLE PHASE MOTORS

DIMENSIONS: IN
 MM
 TOLERANCE: .XX ± .1
 2.5

Specifications subject to change without notice.

SPECIFICATIONS

MODEL	DR707D89X	DR707K72X	DR707F72X	DR707D86X	DR707D5X	DR707K9X
Part No.	036789	036791	036790	036914	036875	036794
Motor Enclosure Type	TEFC	TEFC	XP	TEFC	TEFC	TEFC
Motor Horsepower	5	3	5	5	5	3
Voltage ¹	208-230/460	230/460	230/460	575	230	115/230
Phase	3	3	3	3	1	1
Frequency ¹ (Hz)	60	60	60	60	60	60
Insulation Class ²	F	F	B	F	F	F
NEMA Rated Motor Amps	14.2-14.0/7.0	8.0/4.0	14.0/7.0	5.6	21	26.2/13.1
Service Factor	1.15	1.15	1.0	1.15	1.0	1.0
Locked Rotor Amps	98-96/48	52/26	96/48	37	124	158/79
Max. Blower Amps	18.5-18.2/9.1	13/6.5	14.0/7.0	6.9	25	18.5/9.25
Recommended NEMA Starter Size	1-1/0	0/0	1/0	0	1.5	1.5/1
Weight (lbs/Kg)	169/76.8	157/71.4	184/83.6	169/76.8	194/88.2	186/84.5
Blower Limitations for Continuous Duty (60 Hz/50 Hz)						
Max. Pressure-In. of water	113/83	90/65	100/75	113 (60 Hz)	77/65	25/55
Max. Suction-In. of water	93/73	83/70	82/70	93 (60 Hz)	65/65	25/55
Min. Flow-Pressure-SCFM	60/0	145/120	120/88	60 (60Hz)	175/120	245/130
Min. Flow-Suction-SCFM	0/0	97/40	100/44	0 (60 Hz)	145/70	230/105

¹All 3 phase motors are factory tested and certified to operate on 200-230/460 VAC-3 ph-60 Hz and 220-240/380-415 VAC-3 ph-50 Hz.
²Maximum operating temperatures: Motor winding temperature (winding rise plus ambient) should not exceed 140°C for Class F insulation or 110°C for Class B insulation. Blower outlet air temperature should not exceed 140°C (air temperature rise plus ambient).



Enviro-Equipment, Inc.
Remediation Division

