



**Stock # 788**

## Used Rotron DR202Y9 Blower, 1-Phase, 115/230V, 1/3 HP, TEFC Motor.

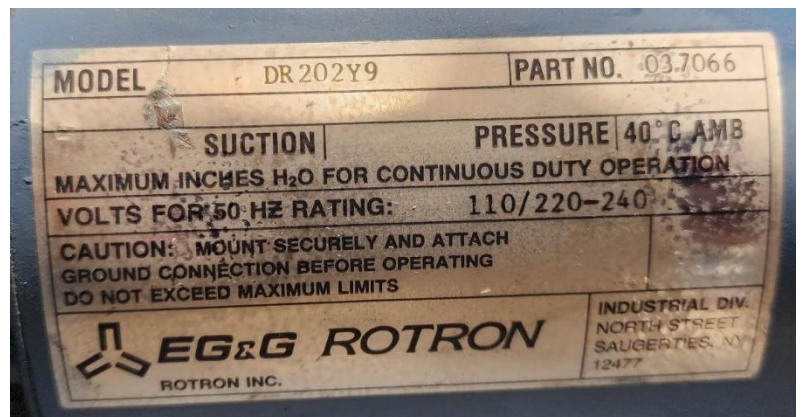
### SPECIFICATIONS

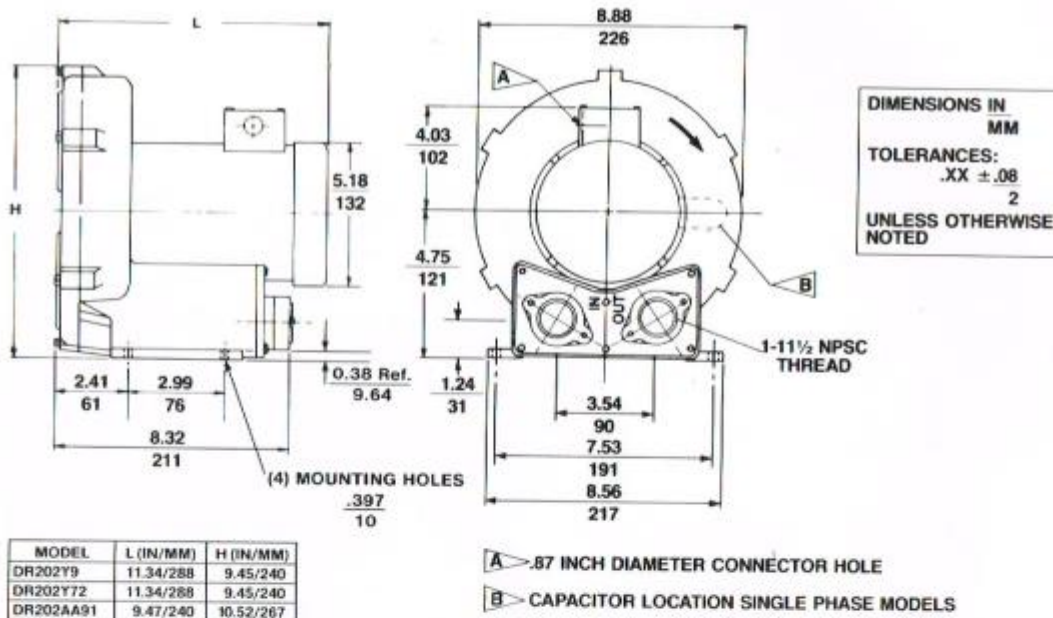
**Dimensions:** 11.34" x 8.88" x 9.45"

**Weight:** 32 Lbs. (Blower Only)

**Brand:** Rotron  
**Model:** DR202Y9  
**Max Pressure:** 33" H2O  
**Max Vacuum:** 31.26" H2O  
**Max Air Flow:** 48 SCFM

**Motor:**  
**Explosion Proof:** NO  
**Horsepower:** .33  
**Phase:** 1  
**Voltage:** 115/230  
**RPM:** 3400





MODEL	L (IN/MM)	H (IN/MM)
DR202Y9	11.34/288	9.45/240
DR202Y72	11.34/288	9.45/240
DR202AA91	9.47/240	10.52/267
DR202Y86	11.34/288	9.45/240
DR202AA58	10.47/266	10.52/267

Specifications subject to change without notice.

**SPECIFICATIONS**

MODEL	DR202Y9	DR202Y72	DR202AA58	DR202AA91	DR202Y86
Part No.	037066	037067	036847	036846	036373
Motor Enclosure Type	TEFC	TEFC	XP	XP	TEFC
Motor Horsepower	.33	.33	.33	.33	.33
Voltage <sup>1</sup>	115/230	230/460	115/230	230/460	575
Phase	1	3	1	3	3
Frequency <sup>1</sup> (Hz)	60	60	60	60	60
Insulation Class <sup>2</sup>	F	F	B	B	F
NEMA Rated Motor Amps	3.8/1.9	1.3/0.65	3.8/1.9	1.3/0.65	0.5
Service Factor	1.35	1.35	1.0	1.0	1.35
Locked Rotor Amps	15.6/7.8	9.7/4.8	15.6/7.8	8.8/4.4	3.5
Max. Blower Amps	3.06/1.53	1.23/0.62	3.06/1.53	1.23/0.62	0.5
Recommended NEMA Starter Size	00/00	00/00	00/00	00/00	00
Weight (lbs/Kg)	32 (14.5)	29 (13.2)	32 (14.5)	29 (13.2)	29 (13.2)
Blower Limitations for Continuous Duty (60 Hz/50 Hz)					
Max. Pressure-In. of water	33/27	33/27	33/27	33/27	33 (60 Hz)
Max. Suction-In. of water	30.5/26	30.5/26	33/27	30.5/26	30.5 (60 Hz)
Min. Flow-Pressure-SCFM	0/0	0/0	0/0	0/0	0 (60 Hz)
Min. Flow-Suction-SCFM	0/0	0/0	0/0	0/0	0 (60 Hz)

<sup>1</sup>All 3 phase motors are factory tested and certified to operate on 200-230/460 VAC-3 ph-60 Hz and 220-240/380-415 VAC-3 ph-50 Hz. All 1 phase motors are factory tested and certified to operate on 115/230 VAC-1 ph-60 Hz and 220-240 VAC-1 ph-50 Hz.

<sup>2</sup>Maximum operating temperatures: Motor winding temperature (winding rise plus ambient) should not exceed 140°C for Class F insulation or 110°C for Class B insulation. Blower outlet air temperature should not exceed 140°C (air temperature rise plus ambient).



**Enviro-Equipment, Inc.**  
**Remediation Division**

