

DR 823 & CP 823. High Pressure Regenerative Blower

FEATURES

- Manufactured in the USA - ISO 9001 compliant
- CE compliant - Declaration of Conformity on file
- Maximum flow: 184 SCFM
- Maximum pressure: 258 IWG
- Maximum vacuum: 12.8" Hg (174.1 IWG)
- Standard motor: 10 HP, TEFC
- Cast aluminum blower housing, dual impellers & cover; cast iron flanges (threaded)
- UL & CSA approved motor with permanently sealed ball bearings
- Inlet & outlet internal muffling
- Quiet operation within OSHA standards

MOTOR OPTIONS

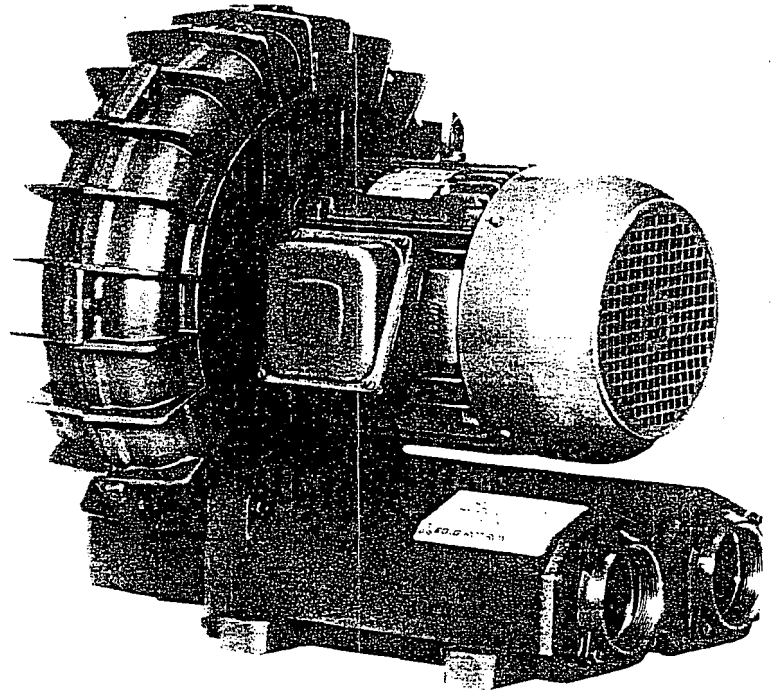
- International voltage & frequency (Hz)
- Chemical duty, high efficiency, inverter duty or industry-specific designs
- Various horsepower for application-specific needs

BLOWER OPTIONS

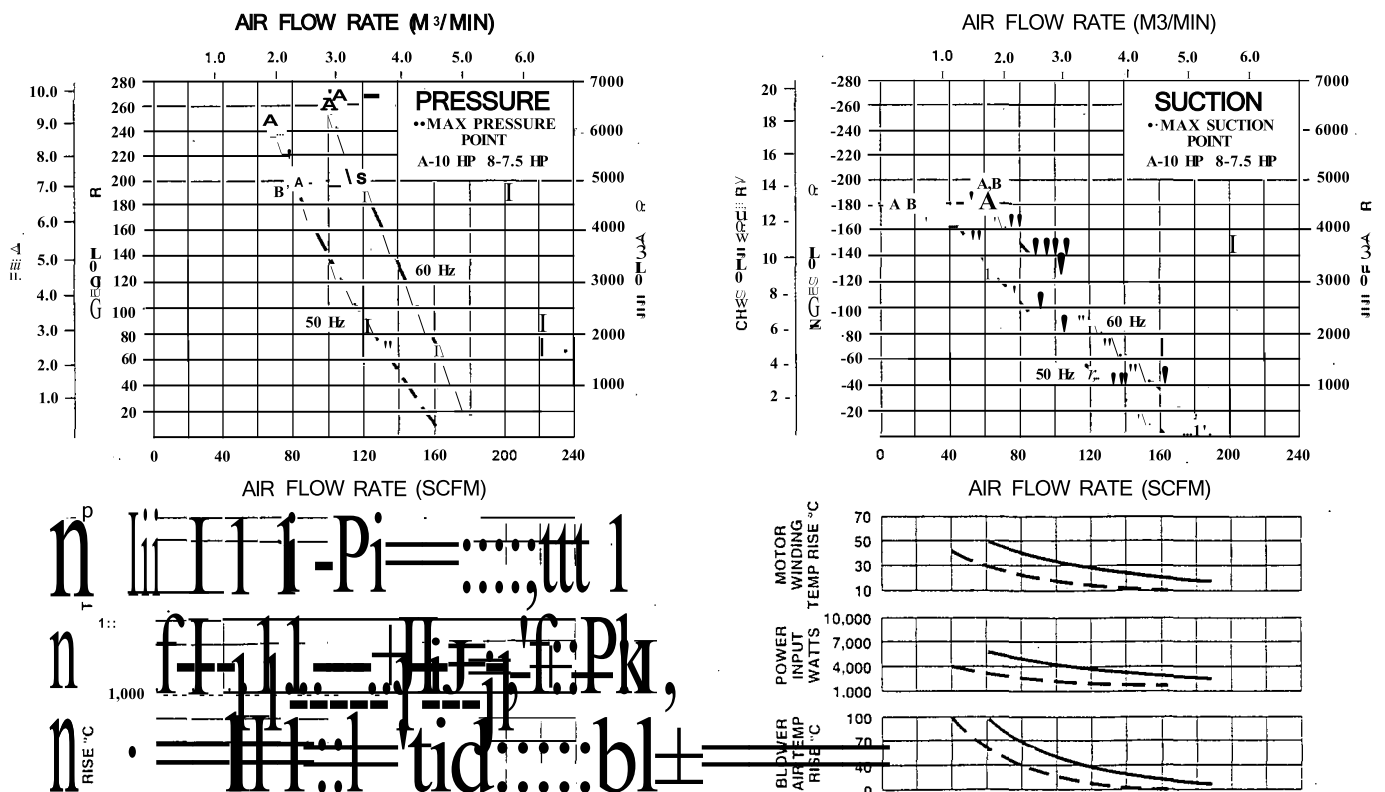
- Corrosion resistant surface treatments & sealing options
- Remote drive (motorless) models
- Slip-on or face flanges for application-specific needs

ACCESSORIES (See Catalog Accessory Section)

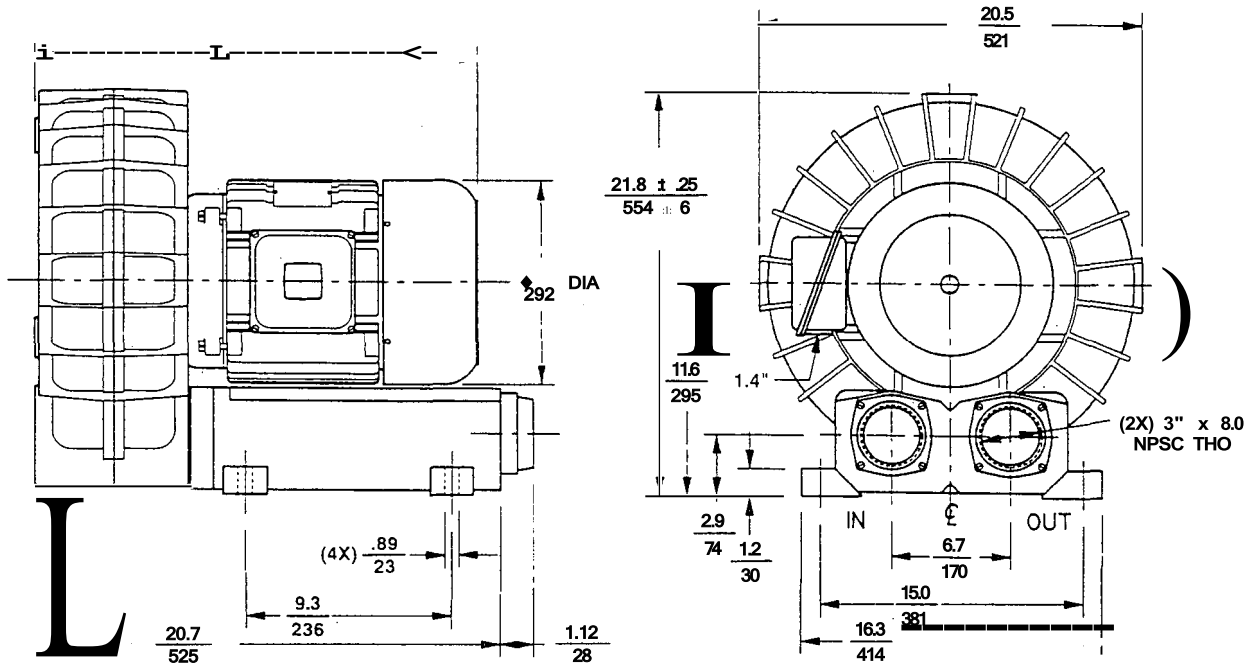
- Flowmeters reading in SCFM
- Filters & moisture separators
- Pressure gauges, vacuum gauges & relief valves
- Switches - air flow, pressure, vacuum or temperature
- External mufflers for additional silencing
- Air knives (used on blow-off applications)
- Variable frequency drive package



BLOWER PERFORMANCE AT STANDARD CONDITIONS



DR 823 & CP 823 High Pressure Regenerative Blower



DIMENSIONS:
TOLERANCES: XX -8
(UNLESS OTHERWISE NOTED)

MODEL	L (IN)	L (MM)
DR823BB72	19.85	504
DR823AY72	22.04	560
DR823AY86	22.04	560

Scale CAD drawing available upon request.

SPECIFICATIONS

ALL PRODUCTS LISTED INCLUDE INLINE FILTER PN515255

MODEL	DR823BB72	DR823BB86	DR823AY72	CP823FH72LR
Part No.	038471	038472	038460	038990
Motor Enclosure - Shaft Material	TEFC - CS	TEFC - CS	TEFC - CS	Chem TEFC - SS
Horsepower	10	10	7.5	Same as
Voltage ¹	208-230/460	575	208-230/460	DR823BB72 -
Phase - Frequency ¹	Three - 60 Hz	Three - 60 Hz	Three - 60 Hz	038471
Insulation Class ²	F	F	F	except
NEMA Rated Motor Amps	31-28/14	11.2	23-21/10.5	add
Service Factor	1.0	1.0	1.0	Chemical Processing
Locked Rotor Amps	190/95	73	170/85	(CP)
Max. Blower Amps ^J	26-24/12	8.9	21.2-19.2/9.6	features
Recommended NEMA Starter Size	2/1	1	2/1	from catalog
Shipping Weight	300 lb (136 kg)	300 lb (136 kg)	280 lb (127 kg)	inside front cover

¹ Rotron motors are designed to handle a broad range of world voltages and power supply variations. Our dual voltage 3 phase motors are factory tested and certified to operate on both: **208-230/415-460 VAC-3 ph-60 Hz** and **190-208/380-415 VAC-3 ph-50 Hz**. Our dual voltage 1 phase motors are factory tested and certified to operate on both: **104-115/208-230 VAC-1 ph-60 Hz** and **100-110/200-220 VAC-1 ph-50 Hz**. All voltages above can handle a ±10% voltage fluctuation. Special wound motors can be ordered for voltages outside our certified range.

² Maximum operating temperature: Motor winding temperature (winding rise plus ambient) should not exceed 140°C for Class F rated motors or 120°C for Class B rated motors. Blower outlet air temperature should not exceed 140°C (air temperature rise plus inlet temperature). Performance curve maximum pressure and suction points are based on a 40°C inlet and ambient temperature. Consult factory for inlet or ambient temperatures above 40°C.

³ Maximum blower amps corresponds to the performance point at which the motor or blower temperature rise with a 40°C inlet and/or ambient temperature reaches the maximum operating temperature.

Specifications subject to change without notice. Please consult your Local Field Sales Engineer for specification updates.