

# DR 707 Regenerative Blower

## FEATURES

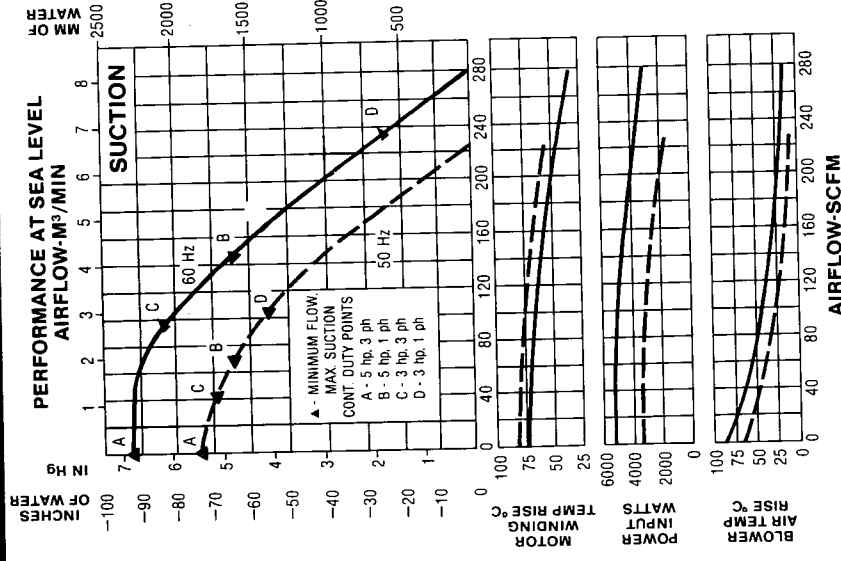
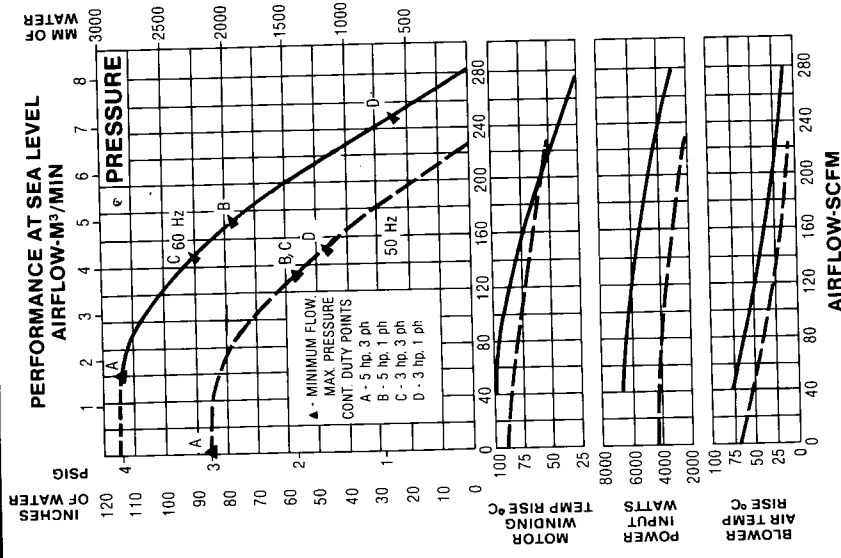
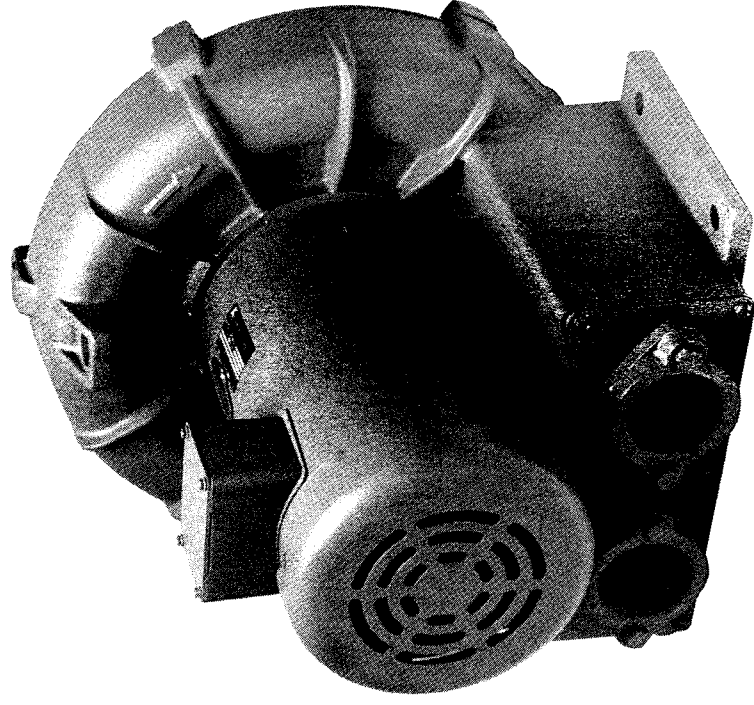
- Manufactured in the USA
- Maximum flow 280 SCFM
- Maximum pressure 11.4" WG
- Maximum vacuum 6.8" Hg
- 5 HP standard
- Blower construction—cast aluminum housing, impeller and cover
- Inlet and outlet internal muffling
- Noise level within OSHA standards
- Weight: 156 lbs. (71 Kg)

## ACCESSORIES

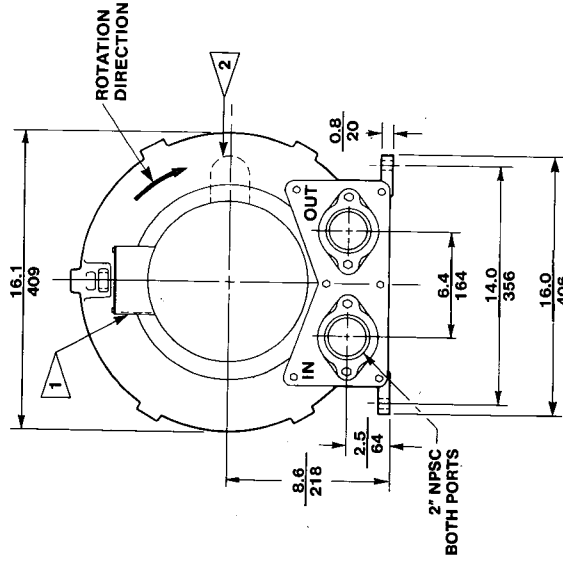
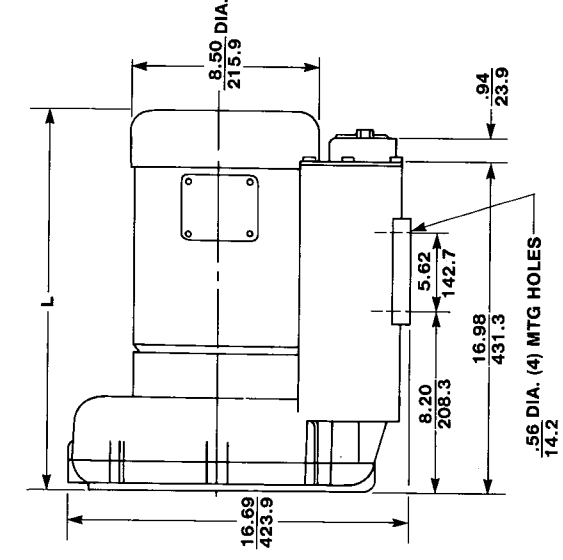
- External mufflers
- Slip-on flanges
- Inlet and/or inline filters
- For details see Accessories Section

## OPTIONS

- Smaller HP motors
- 575-volt and XP motors
- Surface treatment or plating
- Single or three phase motors
- Remote drive (motorless) model
- Gas tight sealing
- Belt drive (motorless) model;
- For details see Remote Drive Section



# DR 707 Regenerative Blower



Model	L (IN)	L (MM)
DR707D89X	18.17	461.5
DR707K72K	18.17	461.5
DR707F72X	20.49	520.4
DR70786X	18.17	461.5
DR707D5X	19.67	499.6
DR707K9X	17.5	444.5

- 1 T'BOX CONNECTION 1.06" DIA. ON TEFC MOTORS, .75 NPT ON XP MOTORS
- 2 LOCATION OF CAPACITOR ON SINGLE PHASE MOTORS

DIMENSIONS: IN  
TOLERANCE: .XX ± .1  
2.5

Specifications subject to change without notice.

## SPECIFICATIONS

MODEL	DR707D89X	DR707K72X	DR707F72X	DR707D86X	DR707D5X	DR707K9X
Part No.	036789	036791	036790	036794	036795	036794
Motor Enclosure Type	TEFC	TEFC	XP	TEFC	TEFC	TEFC
Motor Horsepower	5	3	5	5	5	3
Voltage <sup>1</sup>	208-230/460	230/460	230/460	575	230	115/230
Phase	3	3	3	3	1	1
Frequency <sup>1</sup> (Hz)	60	60	60	60	60	60
Insulation Class <sup>2</sup>	F	F	B	F	F	F
NEMA Rated Motor Amps	14.2-14.0/7.0	8.0/4.0	14.0/7.0	5.6	21	26.2/13.1
Service Factor	1.15	1.15	1.0	1.15	1.0	1.0
Locked Rotor Amps	98-96/48	52/26	96/48	37	124	158/79
Max. Blower Amps	18.5-18.2/9.1	13/6.5	14.0/7.0	6.9	25	18.5/9.25
Recommended NEMA Starter Size	1-1/0	0/0	1/0	0	1.5	1.5/1
Weight (lbs/Kg)	169/76.8	157/71.4	184/83.6	169/76.8	194/88.2	186/84.5
Blower Limitations for Continuous Duty (60 Hz/50 Hz)						
Max. Pressure-in. of water	113/83	90/65	100/75	113 (60 Hz)	77/65	25/55
Max. Suction-in. of water	93/73	83/70	82/70	93 (60 Hz)	65/65	25/55
Min. Flow-Pressure-SCFM	60/0	145/120	120/88	60 (60Hz)	175/120	245/130
Min. Flow-Suction-SCFM	0/0	97/40	100/44	0 (60 Hz)	145/70	230/105

<sup>1</sup>All 3 phase motors are factory tested and certified to operate on 200-230/460 VAC-3 ph-60 Hz and 220-240/380-415 VAC-3 ph-50 Hz.  
<sup>2</sup>Maximum operating temperatures: Motor winding temperature (winding rise plus ambient) should not exceed 140°C for Class F insulation or 110°C for Class B insulation. Blower outlet air temperature should not exceed 140°C (air temperature rise plus ambient).