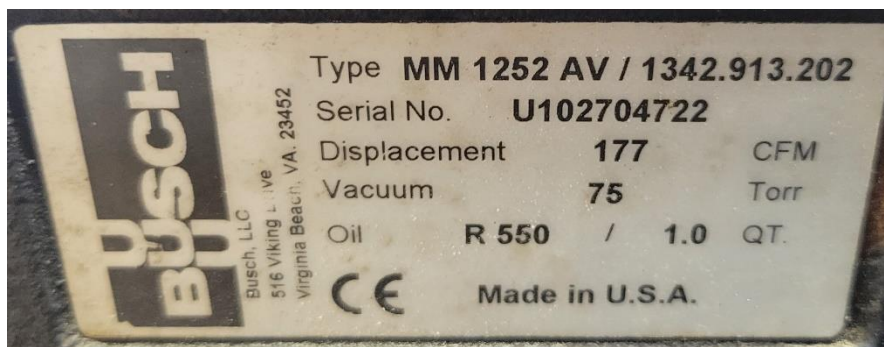
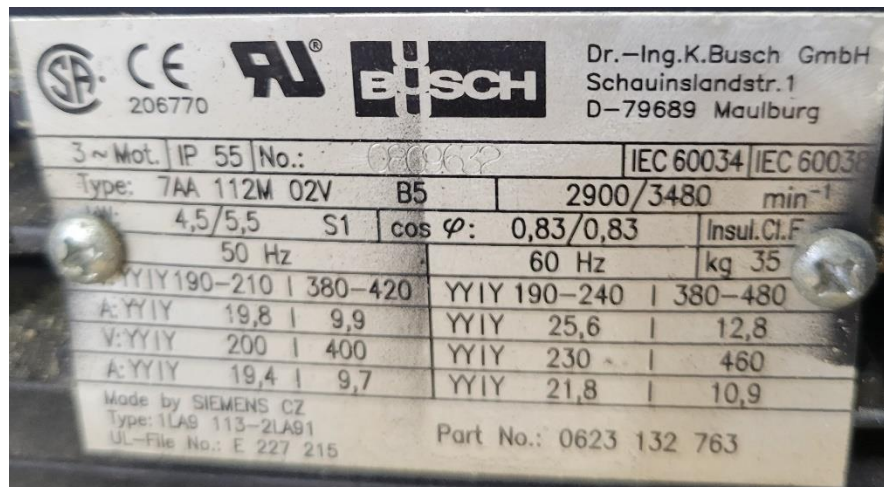




Enviro-Equipment Inc.
10120 Industrial Drive
Pineville NC 28134

Stock #1669

Busch Mink MM 1252 AV Rotary Claw Vacuum Pump with 7.5HP (5.5KW) 3PH TEFC (IP55) Motor
Wired for 240V 3PH
165 ACFM Nominal Pumping Speed
27" HG Ultimate Continuous Duty Vacuum
Missing Motor Cover Plate



Mink MM 1104 – 1322 AV



MM 1142 AV

Description

The Busch MM Series positive displacement vacuum pumps feature a compact rotary claw design that is air cooled, dry-running and non-contacting. These features along with quality construction results in a pump that offers extremely high reliability and a long service life.

Ultra Low Maintenance

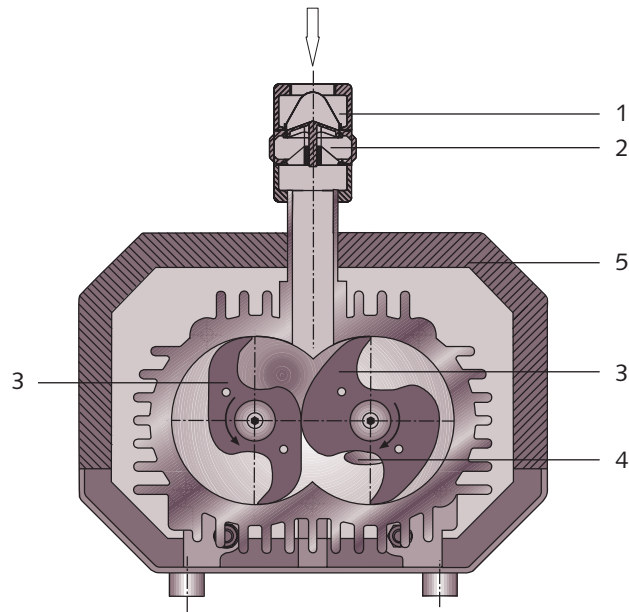
Non-contacting design – eliminates internal wear and parts to replace
Air cooling – no water levels to check and no cooling system to maintain
Dry running – no sealing or lubricating oil is needed in the pumping chamber, so there is minimal maintenance.

Economical

Operating costs are low because of the maintenance-free design and the reduced power requirements made possible by the Mink MM's high volumetric efficiency along with a zero-friction pumping chamber.

Dry Rotary Claw Vacuum Pumps

Operating Principle



- 1 Gas Inlet
- 2 Non-return valve
- 3 Claw-type rotor
- 4 Gas outlet
- 5 Acoustic enclosure

Operating Principle

Inside the pump housing, two claw shaped rotors take in air as they rotate in opposite directions. The air is compressed by the rotors, then discharged through a silencer to atmosphere.

The non-return valve incorporated into the inlet flange prevents air from back flowing into the vacuum chamber when the pump is turned off.

Mink MM rotary claw vacuum pumps are directly driven by a flanged motor, and the two rotors are synchronized by gears.

A wide range of accessories allows optimum adaptation to many applications.

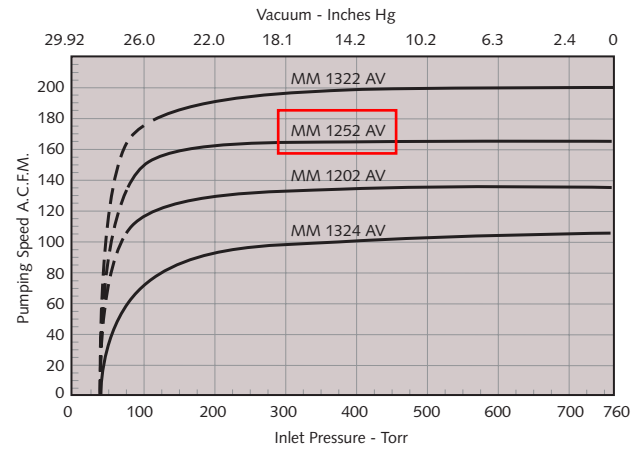
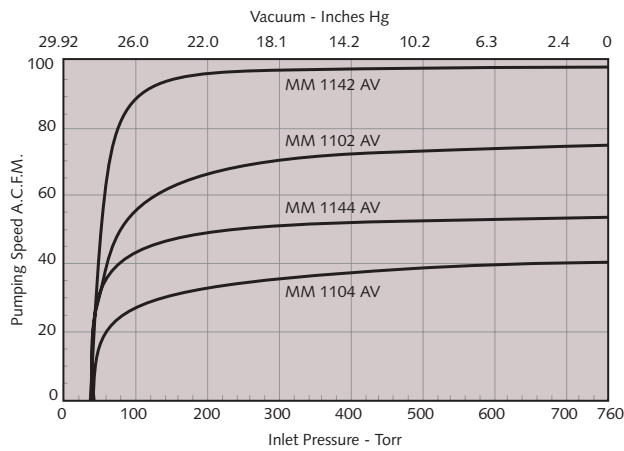
Applications

Beverage Industry
Central Vacuum Systems
Ceramics and Brick Industry
Environmental Technology
Food Industry
Medical Technology
Packaging Industry
Paper Industry
Plastics Industry

Pneumatic Conveying
Printing Industry
Textile Industry
Transport and Lifting Systems
Vacuum Sewerage
Wood Industry
Hospitals
Any application where dust particles may be present



Technical Data



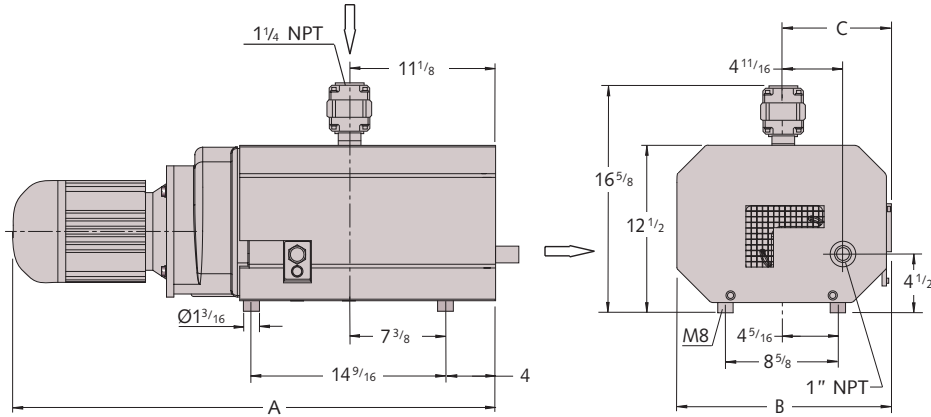
Intermittent duty in dashed area only. Vacuum relief valve to maintain maximum continuous pressure included as a standard feature.

| Technical Data | | | | | | | | | |
|-------------------------------------|------------|-------------|-------------|-------------|-------------|-------------|-------------|-------------|--------------|
| Mink MM Model | | 1104 AV | 1144 AV | 1102 AV | 1142 AV | 1324 AV | 1202 AV | 1252 AV | 1322 AV |
| Nominal pumping speed | ACFM | 40 | 53 | 74 | 97 | 106 | 135 | 165 | 200 |
| Free air displacement | CFM | 43 | 58 | 86 | 116 | 109 | 142 | 177 | 218 |
| Ultimate pressure continuous duty | Torr ("Hg) | 37.5 (28.4) | 37.5 (28.4) | 37.5 (28.4) | 37.5 (28.4) | 37.5 (28.4) | 75 (27) | 75 (27) | 112.5 (25.5) |
| Ultimate pressure intermittent duty | Torr ("Hg) | N/A | N/A | N/A | N/A | N/A | 37.5 (28.4) | 37.5 (28.4) | 37.5 (28.4) |
| Motor size | kW(HP) | 1.5 (2.0) | 2.2 (3.0) | 3.0 (4.0) | 4.0 (5.4) | 3.6 (4.8) | 4.8 (6.4) | 5.5 (7.4) | 6.5 (8.7) |
| Nominal motor speed | RPM | 1800 | 1800 | 3600 | 3600 | 1800 | 3600 | 3600 | 3600 |
| Sound level rating | dB(A) | 75 | 75 | 80 | 80 | 74 | 79 | 79 | 82 |
| Approximate weight | Lbs. | 320 | 330 | 330 | 352 | 513 | 519 | 528 | 532 |

Dry Rotary Claw Vacuum Pumps

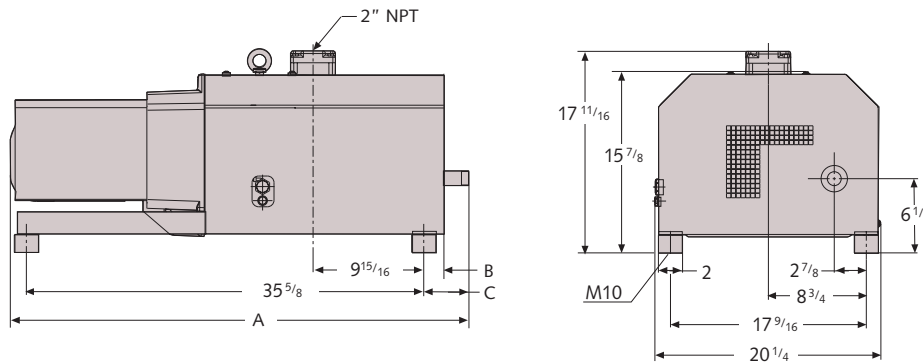


Dimensions



| Dimensions | A | B | C |
|------------|--------------------------------|----|--------------------------------|
| MM 1104 AV | 36 ⁷ / ₈ | 17 | 8 ⁹ / ₁₆ |
| MM 1144 AV | 36 ⁷ / ₈ | 17 | 8 ⁹ / ₁₆ |

| Dimensions | A | B | C |
|------------|--------------------------------|--------------------------------|--------------------------------|
| MM 1102 AV | 36 ⁷ / ₈ | 17 | 8 ⁹ / ₁₆ |
| MM 1142 AV | 37 ⁵ / ₈ | 17 ³ / ₈ | 9 |



| Dimensions | A | B | C |
|------------|--------------------------------|---------------------------------|--------------------------------|
| MM 1324 AV | 42 ³ / ₈ | 1 ¹³ / ₁₆ | 4 ¹ / ₁₆ |
| MM 1202 AV | 42 ¹ / ₂ | 1 ¹³ / ₁₆ | 3 ¹ / ₈ |

| Dimensions | A | B | C |
|------------|----------------------------------|---------------------------------|---------------------------------|
| MM 1252 AV | 42 ¹⁵ / ₁₆ | 1 ¹³ / ₁₆ | 3 ¹ / ₂ |
| MM 1322 AV | 44 ¹ / ₄ | 3 ¹ / ₈ | 4 ¹³ / ₁₆ |

All dimensions in inches unless otherwise noted.



Busch - all over the world in industry

ISO 9001 Registered Company

Busch, Inc.

516 Viking Drive Virginia Beach, VA 23452

Phone (757) 463-7800 Fax (757) 463-7407

www.buschpump.com

1-800-USA-PUMP

Amsterdam Barcelona Birmingham Basel Brussels Dublin Göteborg Helsinki Istanbul Copenhagen Kuala Lumpur Milan Maulburg Melbourne Montreal Moscow
New York New Plymouth Oslo Paris San Jose São Paulo Seoul Singapore Taipei Tokyo Vienna