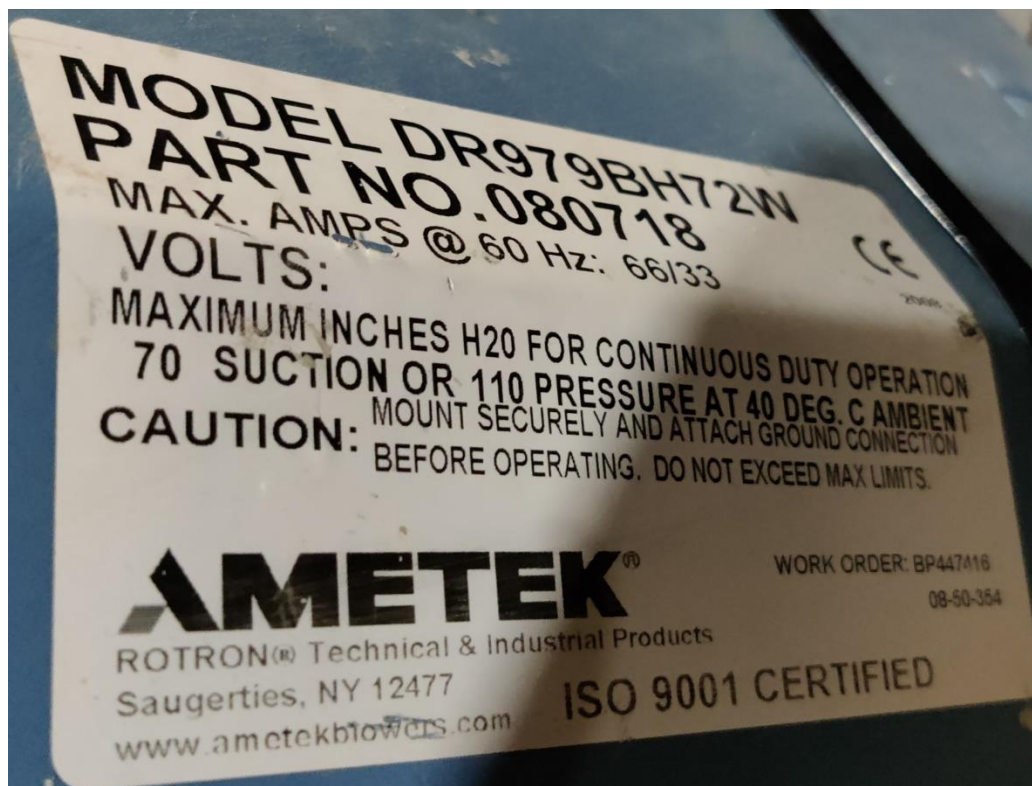
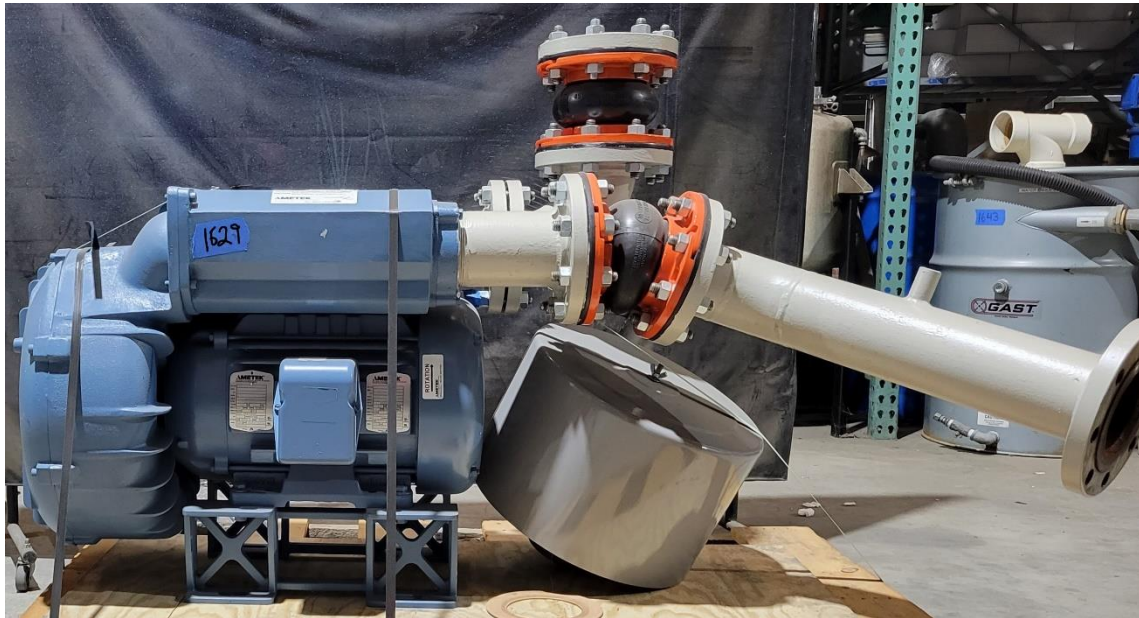




Enviro-Equipment Inc.
10120 Industrial Drive
Pineville NC 28134

Stock #1629

Rotron DR979BH72W Regenerative Blower with 20HP 3PH TEFC Motor
Flanged Inlet and Outlet Piping with Expansion Joints
Filter Silencer





Enviro-Equipment Inc.
10120 Industrial Drive
Pineville NC 28134

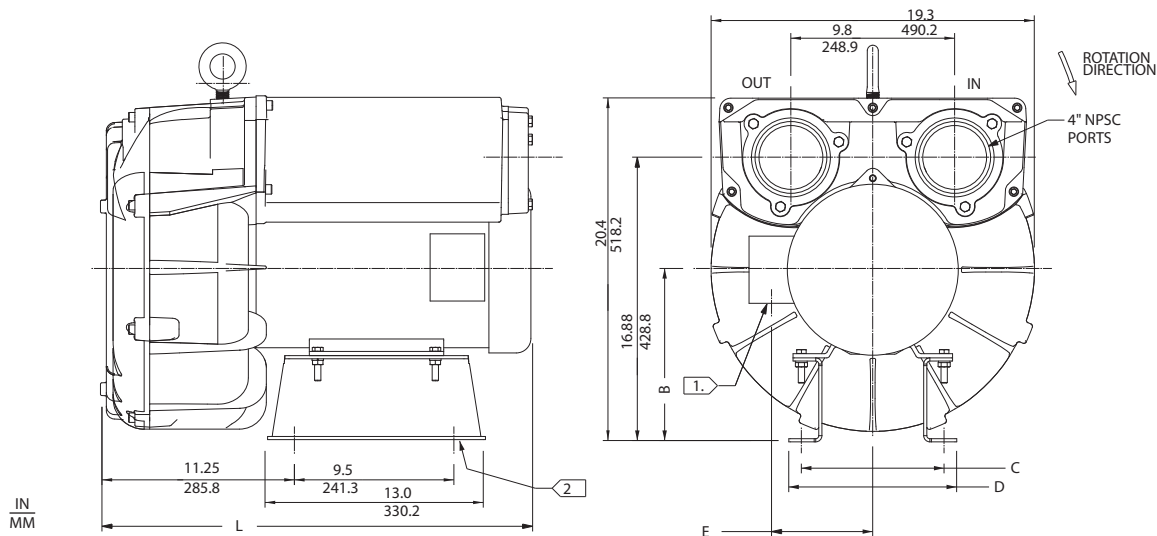
METEK[®]
ROTRON TECHNICAL MOTOR DIVISION
REGENERATIVE BLOWER GROUP

CAT. NO.							
SPEC.	09F7071152H2						
HP	20						
VOLTS	208-230/415-460						
AMPS	18-18/24.5-23						
R.P.M.	3585						
FRAME	256TCZ	HZ	60	PH	3		
SER. F.	1.15	CODE	J	DES	B	CLASS H	
NEMA NOM. EFF.	90.2	%	P.F.	90	%		
RATING	100 / 180 CONT						
CC					USABLE AT 208V	A	
BEARINGS	DE	6309	ODE	6208	SA [®] LR2262		
ENCL.	TEDC	SN	70810311791				RU E46145

NP1331 61784

DR 979 & CP 979

15.0 / 20.0 HP Regenerative Blower



NOTES

- 1) TERMINAL BOX CONNECTOR HOLE 1.09 DIA. (DR979BE72W) 1.375 DIA. (DR979BH72W).
- 2) .75 (19.1) X 2.00 (50.8) 4X MOUNTING SLOTS.
- 3) DRAWING NOT TO SCALE, CONTACT FACTORY FOR SCALE CAD DRAWING.
- 4) CONTACT FACTORY FOR BLOWER MODEL LENGTHS NOT SHOWN.

MODEL	L (IN/MM)	B (IN/MM)	C (IN/MM)	D (IN/MM)	E (IN/MM)
DR979BH72W	29.0/736.6	12.25/311.2	11.50/292.1	13.19/335	8.09/205.5
DR979BE72W	25.38/644.6	10.25/260.4	8.38/212.9	9.88/250.9	6.88/174.8
DR979BE86W	25.81/655.6	10.25/260.4	8.38/212.9	9.88/250.9	6.88/174.8

Specification	Units	Part/ Model Number					
		DR979BH72W 080718	DR979BE72W 080704	DR979BE86W 080702	DR979BH86W 080719	CP979FJ72WLR 081777	HiE979BE72W
Motor Enclosure - Shaft Mt.	-	TEFC-CS	TEFC-CS	TEFC-CS	TEFC-CS	CHEM TEFC-SS	TEFC-CS
Horsepower	-	20	15	15	20	15	20
Voltage	AC	230/460	230/460	575	575	230/460	230/460
Phase - Frequency	-	Three-60 hz	Three-60 hz	Three-60 hz	Three-60 hz	Three-60 hz	Three-60 hz
Insulation Class	-	H	H	H	H	H	H
NEMA Rated Motor Amps	Amps (A)	46/23	44/22	14.6	46/23	44/22	44/22
Service Factor	-	1.15	1.25	1.15	1.15	1.25	1.25
Max. Blower Amps	Amps (A)	60/30	52/26	21	66/33	52/26	52/26
Locked Rotor Amps	Amps (A)	294/147	290/145	93	294/147	290/145	290/145
NEMA Starter Size	-	3/2	2/2	2	3/2	2/2	2/2
Shipping Weight	Lbs	350	300	300	350	300	300
	Kg	158.8	136.1	136.1	158.8	136.1	136.1

Voltage - ROTRON motors are designed to handle a broad range of world voltages and power supply variations. Our dual voltage 3 phase motors are factory tested and certified to operate on both: **208-230/415-460 VAC-3 ph-60 Hz** and **190-208/380-415 VAC-3 ph-50 Hz**. Our dual voltage 1 phase motors are factory tested and certified to operate on both: **104-115/208-230 VAC-1 ph-60 Hz** and **100-110/200-220 VAC-1 ph-50 Hz**. All voltages above can handle a ±10% voltage fluctuation. Special wound motors can be ordered for voltages outside our certified range.

Operating Temperatures - Maximum operating temperature: Motor winding temperature (winding rise plus ambient) should not exceed 140°C for Class F rated motors or 120°C for Class B rated motors. Blower outlet air temperature should not exceed 140°C (air temperature rise plus inlet temperature). Performance curve maximum pressure and suction points are based on a 40°C inlet and ambient temperature. Consult factory for inlet or ambient temperatures above 40°C.

Maximum Blower Amps - Corresponds to the performance point at which the motor or blower temperature rise with a 40°C inlet and/or ambient temperature reaches the maximum operating temperature.

This document is for informational purposes only and should not be considered as a binding description of the products or their performance in all applications. The performance data on this page depicts typical performance under controlled laboratory conditions. AMETEK is not responsible for blowers driven beyond factory specified speed, temperature, pressure, flow or without proper alignment. Actual performance will vary depending on the operating environment and application. AMETEK products are not designed for and should not be used in medical life support applications. AMETEK reserves the right to revise its products without notification. The above characteristics represent standard products. For product designed to meet specific applications, contact AMETEK Technical & Industrial Products Sales department.

FEATURES

- Manufactured in the USA - ISO 9001 and NAFTA compliant
- CE compliant - Declaration of Conformity on file
- Maximum flow: 1100 SCFM
- Maximum pressure: 80 IWG
- Maximum vacuum: 87 IWG
- Standard motor: 15 HP, TEFC
- Cast aluminum blower housing, impeller & cover; cast iron flanges (threaded)
- UL & CSA approved motor with permanently sealed ball bearings
- Inlet & outlet internal muffling
- Quiet operation within OSHA standards

MOTOR OPTIONS

- International voltage & frequency (Hz)
- Chemical duty, high efficiency, inverter duty or industry-specific designs
- Various horsepower for application-specific needs

BLOWER OPTIONS

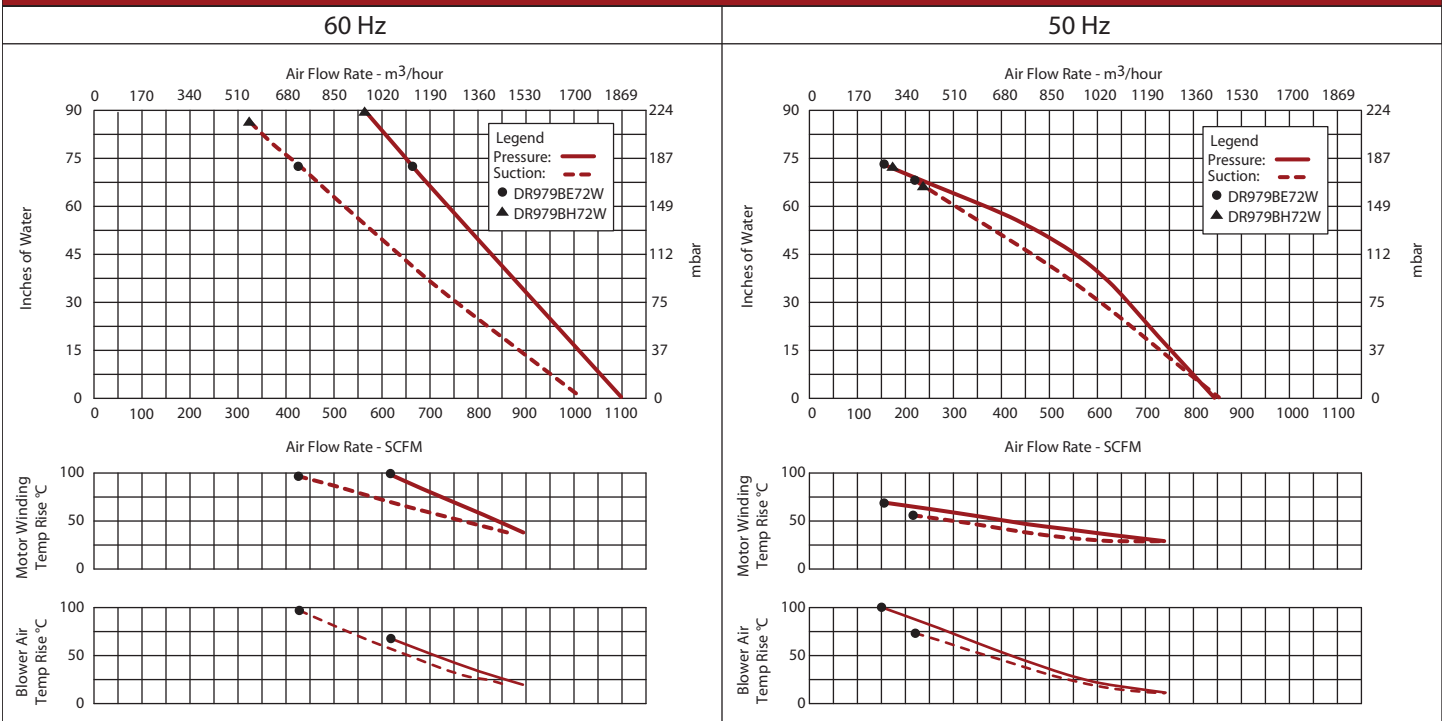
- Corrosion resistant surface treatments & sealing options
- Remote drive (motorless) models
- Slip-on or face flanges for application-specific needs

ACCESSORIES

- Flowmeters reading in SCFM
- Filters & moisture separators
- Pressure gauges, vacuum gauges, & relief valves
- Switches - air flow, pressure, vacuum, or temperature
- External mufflers for additional silencing
- Air knives (used on blow-off applications)
- Variable frequency drive package



Blower Performance at Standard Conditions



This document is for informational purposes only and should not be considered as a binding description of the products or their performance in all applications. The performance data on this page depicts typical performance under controlled laboratory conditions. AMETEK is not responsible for blowers driven beyond factory specified speed, temperature, pressure, flow or without proper alignment. Actual performance will vary depending on the operating environment and application. AMETEK products are not designed for and should not be used in medical life support applications. AMETEK reserves the right to revise its products without notification. The above characteristics represent standard products. For product designed to meet specific applications, contact AMETEK Technical & Industrial Products Sales department.