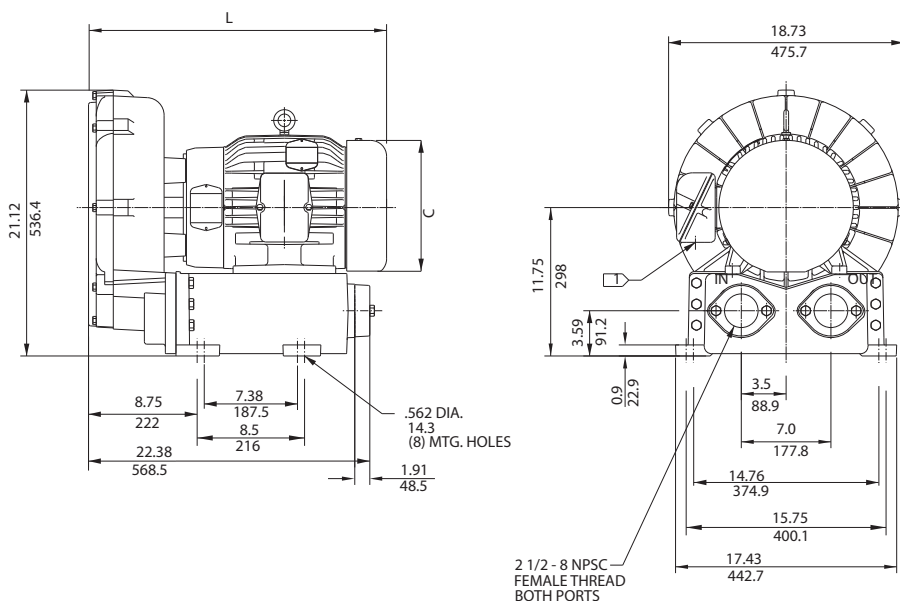


5.0 / 7.5 HP Regenerative Blower



IN  
MM

NOTES

- 1) TERMINAL BOX CONNECTOR HOLE 1.06 (26.9) DIA.
- 2) DRAWING NOT TO SCALE, CONTACT FACTORY FOR SCALE CAD DRAWING.
- 3) CONTACT FACTORY FOR BLOWER MODEL LENGTHS NOT SHOWN.

MODEL	L (IN/MM)
DR808AY72MX	22.23/564.6
DR808D89MX	19.31/490.5

Specification	Units	Part/ Model Number				
		DR808AY72MX 081222	DR808AY86MX 081224	DR808D89MX 081225	CP808FG72MXLR 081233	HiE808AY72MX 081228
Motor Enclosure - Shaft Mt.	-	TEFC-CS	TEFC-CS	TEFC-CS	CHEM TEFC-SS	TEFC-CS
Horsepower	-	7.5	7.5	5.0	7.5	7.5
Voltage	AC	230/460	575	230/460	230/460	230/460
Phase - Frequency	-	Three-60 hz	Three-60 hz	Three-60 hz	Three-60 hz	Three-60 hz
Insulation Class	-	F	F	F	F	F
NEMA Rated Motor Amps	Amps (A)	17.8/8.9	7.2	17.3-15.6/7.8	17.8/8.9	17.8/8.9
Service Factor	-	1.15	1.15	1.15	1.15	1.15
Max. Blower Amps	Amps (A)	28/14	10.8	14/7	28/14	28/14
Locked Rotor Amps	Amps (A)	120/60	60	152/76	120/60	120/60
NEMA Starter Size	-	1/1	1	1/0	1/1	1/1
Shipping Weight	Lbs	285	242	195	285	301
	Kg	129.3	109.8	88.5	129.3	136.5

**Voltage** - ROTRON motors are designed to handle a broad range of world voltages and power supply variations. Our dual voltage 3 phase motors are factory tested and certified to operate on both: **208-230/415-460 VAC-3 ph-60 Hz** and **190-208/380-415 VAC-3 ph-50 Hz**. Our dual voltage 1 phase motors are factory tested and certified to operate on both: **104-115/208-230 VAC-1 ph-60 Hz** and **100-110/200-220 VAC-1 ph-50 Hz**. All voltages above can handle a ±10% voltage fluctuation. Special wound motors can be ordered for voltages outside our certified range.

**Operating Temperatures** - Maximum operating temperature: Motor winding temperature (winding rise plus ambient) should not exceed 140°C for Class F rated motors or 120°C for Class B rated motors. Blower outlet air temperature should not exceed 140°C (air temperature rise plus inlet temperature). Performance curve maximum pressure and suction points are based on a 40°C inlet and ambient temperature. Consult factory for inlet or ambient temperatures above 40°C.

**Maximum Blower Amps** - Corresponds to the performance point at which the motor or blower temperature rise with a 40°C inlet and/or ambient temperature reaches the maximum operating temperature.

*This document is for informational purposes only and should not be considered as a binding description of the products or their performance in all applications. The performance data on this page depicts typical performance under controlled laboratory conditions. AMETEK is not responsible for blowers driven beyond factory specified speed, temperature, pressure, flow or without proper alignment. Actual performance will vary depending on the operating environment and application. AMETEK products are not designed for and should not be used in medical life support applications. AMETEK reserves the right to revise its products without notification. The above characteristics represent standard products. For product designed to meet specific applications, contact AMETEK Technical & Industrial Products Sales department.*

## FEATURES

- Manufactured in the USA - ISO 9001 and NAFTA compliant
- CE compliant - Declaration of Conformity on file
- Maximum flow: 375 SCFM
- Maximum pressure: 120 IWG
- Maximum vacuum: 95 IWG
- Standard motor: 7.5 HP, TEFC
- Cast aluminum blower housing, impeller & cover; cast iron flanges (threaded)
- UL & CSA approved motor with permanently sealed ball bearings
- Inlet & outlet internal muffling
- Quiet operation within OSHA standards

## MOTOR OPTIONS

- International voltage & frequency (Hz)
- Chemical duty, high efficiency, inverter duty or industry-specific designs
- Various horsepower for application-specific needs

## BLOWER OPTIONS

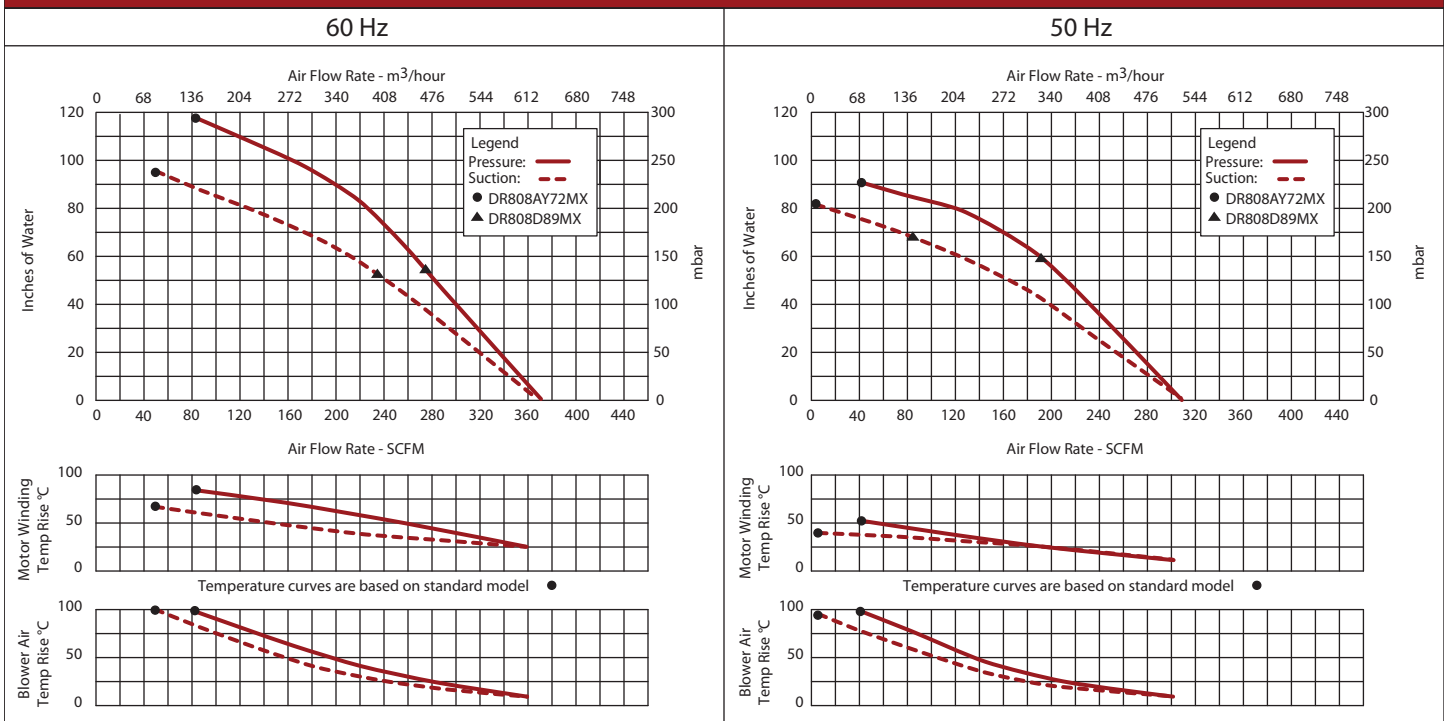
- Corrosion resistant surface treatments & sealing options
- Remote drive (motorless) models
- Slip-on or face flanges for application-specific needs

## ACCESSORIES

- Flowmeters reading in SCFM
- Filters & moisture separators
- Pressure gauges, vacuum gauges, & relief valves
- Switches - air flow, pressure, vacuum, or temperature
- External mufflers for additional silencing
- Air knives (used on blow-off applications)
- Variable frequency drive package



## Blower Performance at Standard Conditions



This document is for informational purposes only and should not be considered as a binding description of the products or their performance in all applications. The performance data on this page depicts typical performance under controlled laboratory conditions. AMETEK is not responsible for blowers driven beyond factory specified speed, temperature, pressure, flow or without proper alignment. Actual performance will vary depending on the operating environment and application. AMETEK products are not designed for and should not be used in medical life support applications. AMETEK reserves the right to revise its products without notification. The above characteristics represent standard products. For product designed to meet specific applications, contact AMETEK Technical & Industrial Products Sales department.