



Enviro-Equipment Inc.
10120 Industrial Drive
Pineville NC 28134

Stock #1645

Carbonair Stat 80 Stainless Steel Air Stripper

4 Trays, Sump and Lid

5 – 80 GPM, 300-350 CFM

Includes Rotron DR808AY72X Regenerative Blower with 7.5HP 3PH TEFC Motor

Control Panel Enclosure (Gutted)

Skid Mounted

Needs Refurbishing

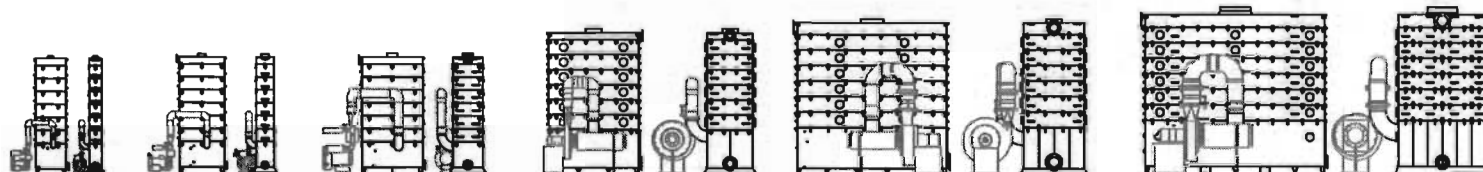




STAT® Series Low Profile Air Strippers

Carbonair's exclusive STAT series represents the best choice in low profile air strippers, combining high performance, flexibility, and design simplicity. Carbonair's STAT units are available with a number of tray configurations, blowers and controls, and can achieve a removal efficiency of up to 99.99 % for a long list of volatile organic compounds.

Specifications¹



Model	STAT 15	STAT 30	STAT 80	STAT 180	STAT 400	STAT 720
Liquid Flow Range (gpm)	0.5 - 12	1 - 35	5 - 80	10 - 200	20 - 400	40 - 1000
Minimum Airflow (cfm)	60	100	300	650	1800	3000
Maximum Airflow (cfm)	80	150	350	900	2100	4000
Blower HP ²	1.0, 1.5	2, 3	5, 7.5, 10	10	20, 25	40, 50
Tray Dimensions (LxWxH, in)	24x10x10	36x14x10	48x24x10	72x36x11 5/8	120x48x12	144x72x12
Assembly Height (Approx.) ³	7'-7 1/4"	7'-9 3/4"	7'-10 1/4"	9'-6"	10'-2 1/4"	10'-11 3/4"
Optional Skid Footprint (LxWxH, in)	47x29x4	64x34x6	66x60x6	88x86x6	138x102x6	--
Empty Tray Weight, Each (lb)	20	40	65	150	350	550
Assembly Weight (lb) ⁴	360	560	1000	2040	4110	6820
Assembly Operating Weight (lb) ⁴	610	940	2230	5550	11,820	21,850
Sump Holding Capacity (gal)	16	30	60	225	500	1000
Influent Connection (NPS) ⁵	1.5" FPT	2"	3"	4"	6"	8"
Effluent Connection (NPS) ⁵	2"	3"	3"	6"	8"	10"
Off-Gas Discharge OD	4 3/8"	6 3/8"	8 1/2"	12 19/32"	18"	24"

- Design Features**
- 304 stainless steel welded construction
 - Gasoline-resistant neoprene gaskets
 - Anti-bypass valve (no priming required)
 - Polypropylene demister (99.5% removal efficiency 10 microns and larger)
 - Direct coupled blowers
 - Clean-out ports (STAT 180-720)

- Options**
- Pump-down capability with discharge pump
 - Pressure gauges and switches
 - Water/air flow and temperature monitoring
 - Explosion-proof controls and motors
 - Off-gas carbon filtration
 - Sample taps
 - Control panel packages
 - 316 SS construction
 - Skid Mounted

Service Centers

FLORIDA
4710 Dignan Street
Jacksonville, FL 32254
800.241.7833
904.387.4465
904.387.5058 Fax

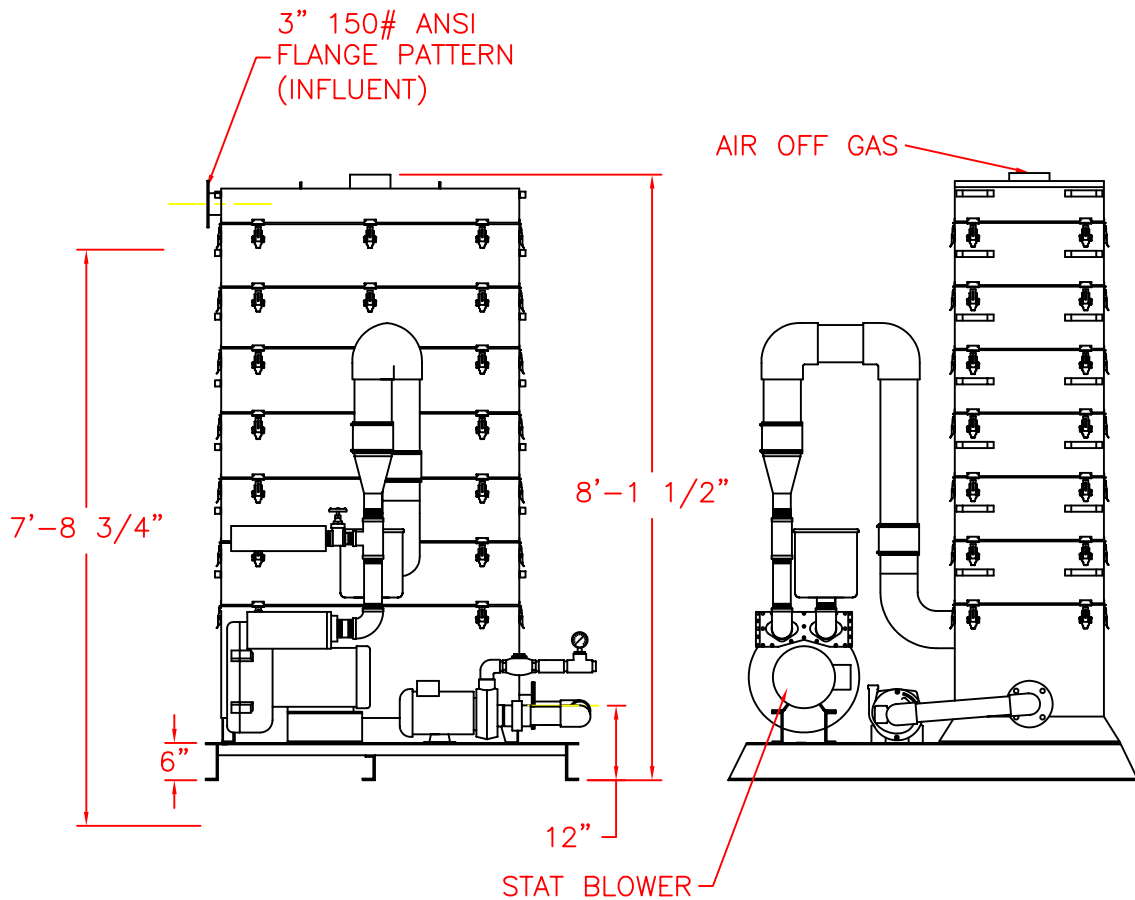
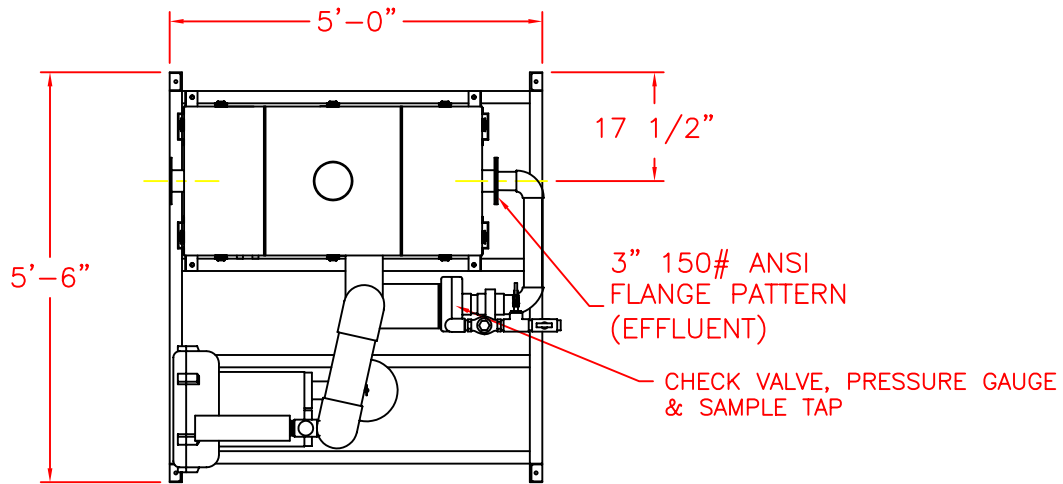
MINNESOTA
2731 Nevada Ave. No.
New Hope, MN 55427
800.526.4999
763.544.2154
763.544.2151 Fax

TEXAS
4889 Hunter Rd. Bldg 1-C
San Marcos, TX 78666
800.893.5937
512.392.0085
512.392.0066 Fax

VIRGINIA
4328 West Main Street
Salem, VA 24153
800.204.0324
540.380.5913
540.380.5920 Fax

1. Specifications subject to change without notice
2. Blower HP depends on flow requirements. Single phase motors available up to 5 HP.
3. 6-tray unit without optional skid.
4. Includes approximate blower and ducting weight.
5. 150# flange pattern, unless noted. Effluent size is for gravity drain sumps.

STAT 80
W/PUMP DOWN



NOTE: Adjust overall height by 10 1/4" for each aeration tray added or deleted.
Influent flange on the same side as effluent with odd number of trays.