



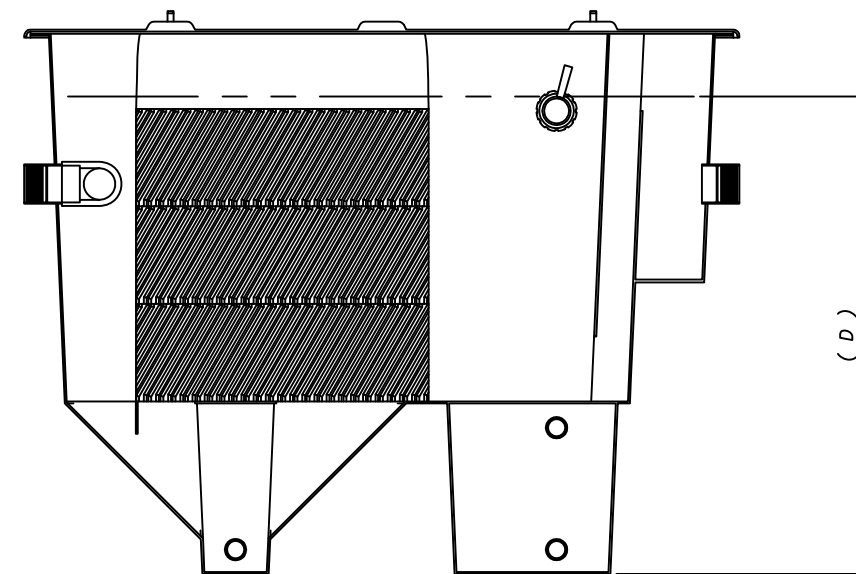
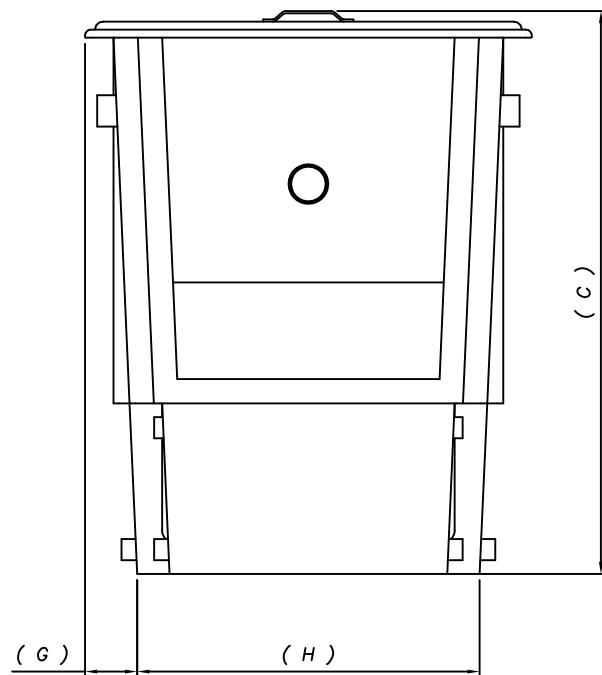
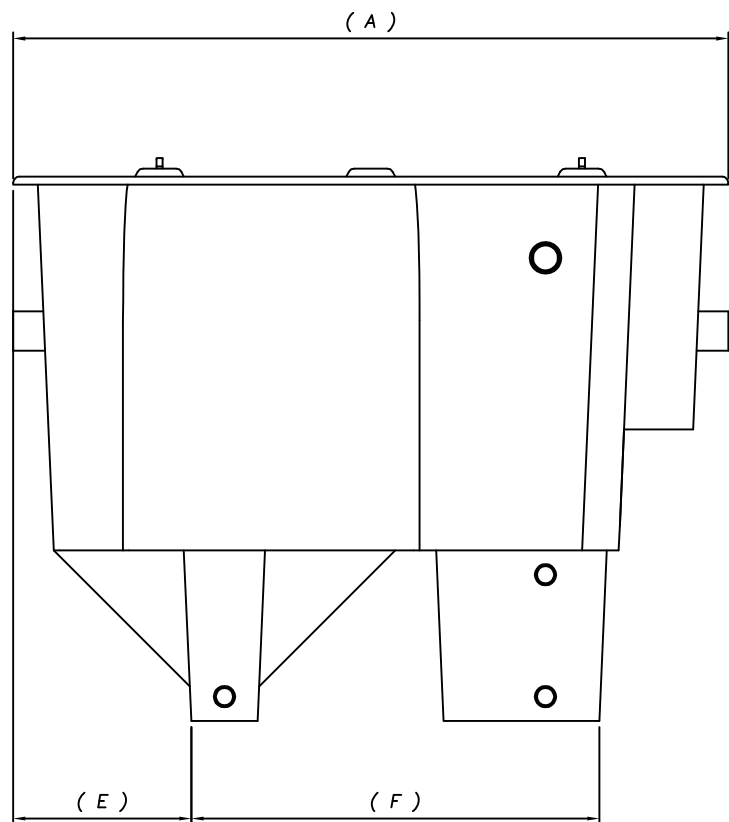
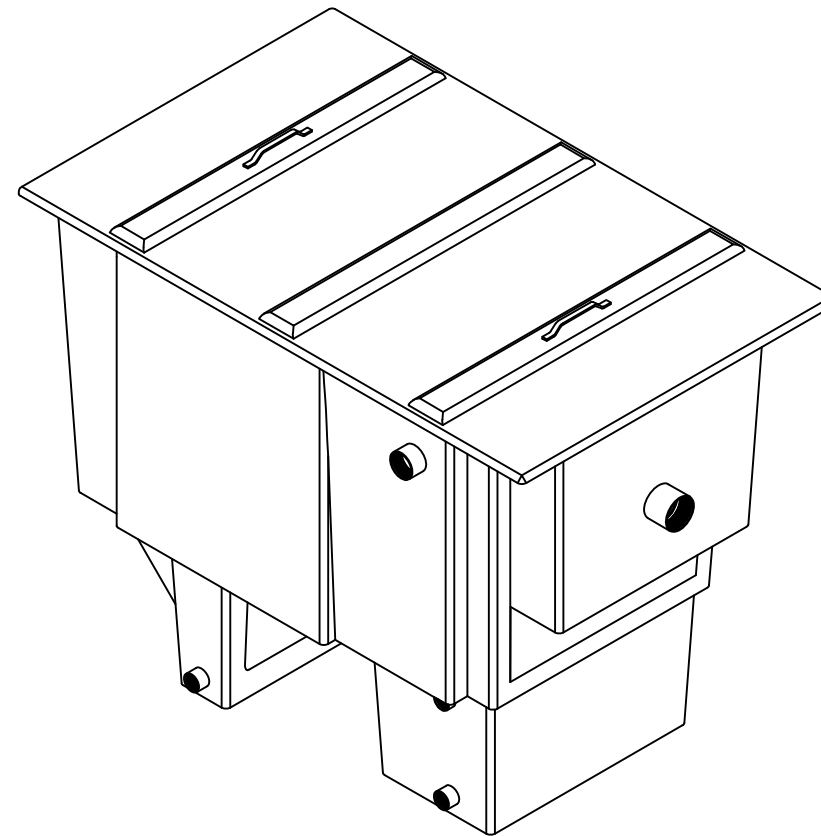
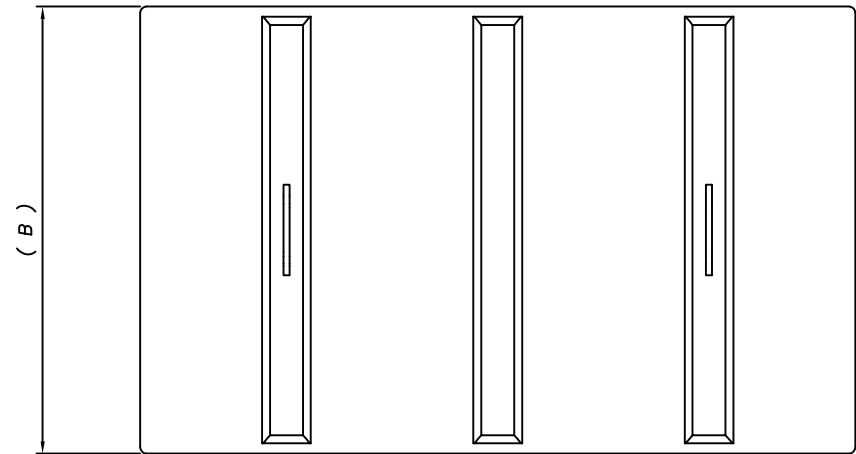
Enviro-Equipment Inc.
10120 Industrial Drive
Pineville NC 28134

Stock #1577

Dimensions: 77" x 44" x 53", 437 pounds

Hydroflo Fiberglass Oil Water Separator, Model DP12, 50 GPM





P.O. NUMBER	PROJECT NAME	PROJECT NUMBER
N/A	N/A	N/A

ALL TOLERANCES UNLESS OTHERWISE NOTED ARE TO BE ±1/8" AND ALL DIMENSIONS ARE MEASURED IN INCHES

VERIFY DRAWING IS PROPERLY PRINTED BY MATCHING THIS SCALE TO A RULER

REV	DATE	DESCRIPTION

**ISSUED
FOR
INFORMATION**

HYDRO-FLO
TECHNOLOGIES, INC.
3985 Commerce Drive,
St. Charles, IL 60174
www.hydroflothec.com
TEL. 630.762.0380 - FAX. 630.762.0390

DP FIBERGLASS MODEL # XX-HB TABULATED DRAWING TEMPLATE (CAD FILE: F:\2010\SALES\TABULATED\DPF-HB)		DRAWN BY: A.J.S. DATE:05/21/10 APPRVD BY: X.X.X. DATE:XX/XX/XX	
DRAWING REVISION LEVEL "0"			
JOB #	CUSTOMER	DRAWING NUMBER	SHEET #
SALES 390	GENERAL	DPFHB-TAB-01	1 OF 1

ANSI
B
SCALE: AS SHOWN
1"

THIS DRAWING IS THE PROPERTY OF HYDRO-FLO TECHNOLOGIES, INC. AND IS LOANED UPON THE EXPRESS CONDITION THAT IT SHALL NOT BE COPIED OR REPRODUCED IN ANY MANNER, SHALL NOT BE SUBMITTED TO OTHERS FOR EXAMINATION WITHOUT THE CONSENT OF THIS COMPANY, SHALL NOT BE USED IN ANY OTHER WAY DETRIMENTAL TO THE INTERESTS OF THIS COMPANY AND SHALL BE RETURNED UPON DEMAND.

DP FIBERGLASS T-SERIES

MODEL NUMBER	CROSS SECTIONAL VELOCITY @ 1FT/MIN = X GPM	CROSS SECTIONAL VELOCITY @ 2FT/MIN = X GPM	CROSS SECTIONAL VELOCITY @ 3FT/MIN = X GPM	(A) IN FEET-INCHES	(B) IN FEET-INCHES	(C) IN FEET-INCHES	(D) IN FEET-INCHES	(E) IN FEET-INCHES	(F) IN FEET-INCHES	(G) IN FEET-INCHES	(H) IN FEET-INCHES
2	14.96	29.92	44.88	5 - 4	2 - 7	3 - 1	2 - 2	1 - 2	2 - 11	0 - 6	1 - 7
4	29.92	59.84	89.77	6 - 4	2 - 7	3 - 4	2 - 5	1 - 4	3 - 9	0 - 6	1 - 7
8	29.92	59.84	89.77	6 - 4	2 - 7	4 - 4	3 - 5	1 - 4	3 - 9	0 - 6	1 - 7
12	44.88	89.77	134.65	6 - 4	3 - 7	4 - 4	3 - 5	1 - 4	3 - 9	0 - 6	2 - 7
16	59.84	119.69	179.53	6 - 4	4 - 7	4 - 4	3 - 5	1 - 4	3 - 9	0 - 6	3 - 7
24	89.77	179.53	269.30	7 - 4	4 - 7	4 - 10	3 - 11	1 - 10	4 - 1	0 - 6	3 - 7
36	89.77	179.53	269.30	7 - 4	4 - 7	5 - 10	4 - 11	1 - 10	4 - 3	0 - 6	3 - 7