



Enviro-Equipment Inc.
10120 Industrial Drive
Pineville NC 28134

Stock#: EEI-1298

Dimensions: 7x18' Trailer (plus 4' tongue), 10,000lb GVWR

Description: Air Sparge and Soil Vapor Extraction Trailer

*****SVE EQUIPMENT*****

- Gast R6P355R-50 Regenerative Blower with 6HP 3PH 208-230/460V XP Motor
 - o 85" WC Max Vacuum, 260 SCFM Max Flow
- Kunkle 215V 2" Vacuum Relief Valve
- Solberg CT-235P-300 Vacuum Air Filter, 3" NPT
- Solberg FS-31P-200 Dilution Air Filter Silencer with Brass Gate Valve
- AWS80-3 Air Water Separator Tank with LL, HL, HLA Float Switch
- Goulds NPE Series 1ST1E7D3 Transfer Pump with 1 HP 3PH TEFC 208-230/460V 3450RPM Motor, 0-30 PSIG Pressure Gauge, Discharge Point Through Wall
- Dwyer LPG4-D7722N 0-100" WC Vacuum Gauges
- Dwyer 1950-20-2F Low Vacuum Alarm Switch
- 3" GAC Bypass Loop with ball valves for future addition of carbon tanks in vacuum line
- 3" Galvanized Steel Exhaust Line with Silencer, Temperature Gauge, Dwyer DS-300-3 Flow Sensor with Magnehelic Gauge for Calculating Air Flow, Exhaust Rain Cap
- 3" SCH 80 PVC Manifold Header with 6x Zones
- 9x 2" SCH 80 PVC Manifold Zones each with:
 - o Brass Gate Valve
 - o Dwyer LPG4-D7722N 0-100" WC Vacuum Gauges
 - o Dwyer DS-300-2 Flow Sensor (For Calculating Air Flow)
 - o Dwyer Magnehelic Gauge (For Calculating Air Flow)

*****AIR SPARGE EQUIPMENT*****

- Rietschle DLR 150 Rotary Claw Air Compressor with 15HP 3PH TEFC Motor
 - o 100 CFM Max Flow, 29 PSIG Max Pressure
- AIHTI ACA-3242-3 Air to Air Heat Exchanger ducted to exterior with louvers
- 0-30 PSIG Gauges, 0-300F Temperature Gauges, Pressure Relief Valve
- 1" Blow Off Line with Brass Gate Valve and Muffler
- United Electric High Pressure and High Temperature Safety Switches
- 1.5" Galvanized Steel Manifold Header with 5x XP Solenoid Valves, Each with 3 Manifold Legs.
- 15x 1" Manifold Legs Each With:
 - o 0-30 PSIG Pressure Gauge
 - o 1" Brass Gate Valve
 - o Dwyer 1" Rotameter 1-13 CFM Range

*****CONTROL PANEL*****

- Nema 4 Control Enclosure with Controls on Inner Swing Door
- Air Sparge Motor, SVE Motor, Transfer Pump Motor and Heat Exchanger Motor Each Have:
 - o Hour Meter
 - o Illuminated Hand/Off/Auto Switch
 - o Contactor/Overload/Circuit Breaker
- Control Alarms with Red Alarm Lights for:
 - o Air Sparge High Temperature (Shuts down Air Sparge Compressor)
 - o Air Sparge High Pressure (Shuts Down Air Sparge Compressor)
 - o SVE Low Vacuum (Interlock To Shut Down Air Sparge Compressor)



Enviro-Equipment Inc.
10120 Industrial Drive
Pineville NC 28134

- AWS Tank High Level (Shuts down SVE Blower)
- Intrinsically Safe Relays for AWS Tank Level Floats to Operate Transfer Pump in Automatic Mode and High Level Alarm Float to Shut down SVE Blower
- HOA Switches and IDEC Smart Relay for AS Solenoid Valves. Off = Closed. On= Open. Auto = Smart Relay Timer.
- Sensaphone Cell 682 Cellular Telemetry Unit for Remote Alarm Notifications

*****SYSTEM TRAILER*****

- Homesteader "Challenger" Enclosed Cargo Trailer
 - 8' wide x 18' long x 7" Height Interior Dimensions
 - 4' Tongue, 2-5/16" Ball Hitch
 - 5200lb tandem axles
 - 3/4" Plywood Floor, 3/8" Plywood Walls
 - 32" Side Access Door
 - 12" Explosion Proof Exhaust Fan with Thermostat
 - 3600 Watt Explosion Proof Heater with Thermostat
 - 2x Explosion Proof Light Fixtures with XP Light Switch
 - Interior Wiring Class 1 Div 2 Group D





Enviro-Equipment Inc.
10120 Industrial Drive
Pineville NC 28134





Enviro-Equipment Inc.
10120 Industrial Drive
Pineville NC 28134

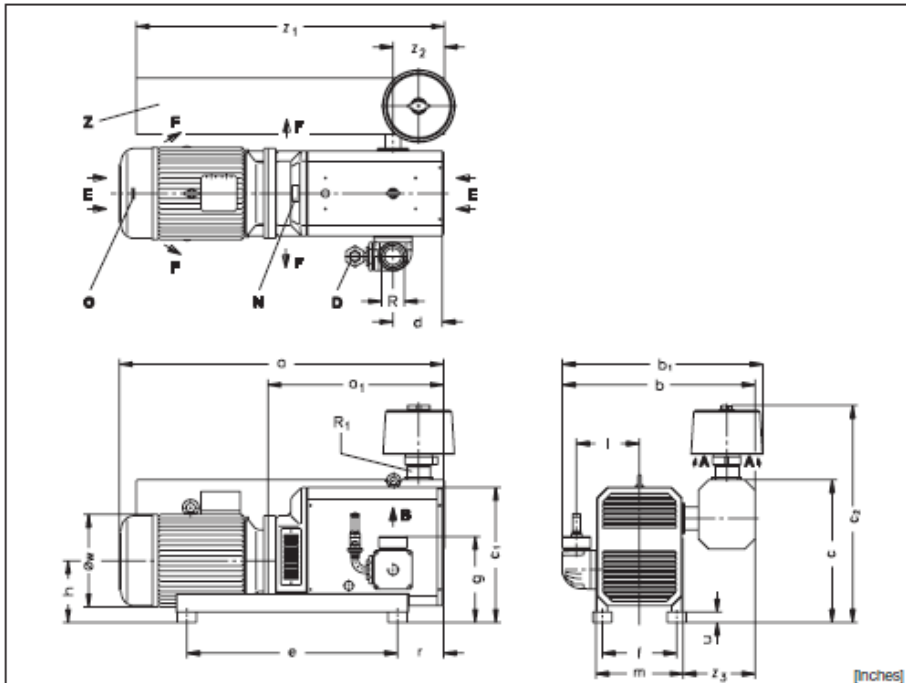
Data



**Elmo
Rietschle**
A Gardner Denver Product

Compressors Compresores Compresseurs Compressores **C-DLR**

zephyr



C-DLR 60
C-DLR 100
C-DLR 150

A	Suction connection	Succión conexión presión	Aspiration	Sucção conexão da pressão
B	Pressure valve	Válvula seguridad	Raccord surpression	Conexão da pressão
D	Safety valve	Válvula seguridad	Clapet de sécurité	Válvula de segurança
E	Cooling air entry	Entrada aire refrigerante	Entrée air refroidissement	Entrada do ar refrigerante
F	Cooling air exit	Salida aire refrigerante	Sortie air refroidissement	Salida do ar refrigerante
N	Data plate	Placa fecha	Étiquette caractéristique	Placa da data
O	Rotation arrow	Dirección de rotación	Flèche sens rotation	Direção da rotação
Z	Inlet silencer	Silenciador entrada	Silencieux d'aspiration	Silenciador de entrada

C-DLR	60	100	150			
kw	3.0	4.0	5.5			
hp	4.0	5.5	7.5			
Inches	a	27.44	27.36	28.03	32.17	36.26
	a ₁	31.51	31.27	32.87	32.87	36.14
	50 Hz	15.28	15.43	15.43	16.22	19.49
	60 Hz	15.28	17.35	17.35	17.35	20.62
b / b ₁	13.70 / 13.70	21.26 / 22.05		21.30 / 22.05		
c / c ₁ / c ₂	15.04 / 11.61 / 15.04	14.76 / 14.17 / 25.75		18.39 / 14.76 / 25.75		
d	2.36	3.62		2.28		
e	9.65	17.32		15.04		
f	6.30	8.66		6.30		
g	11.73	8.23		9.41		
h	6.10	5.91		6.50		
i	5.43	7.17		7.17		
m	6.46	10.00		10.00		
r / u	4.21 / 0.79	3.03 / 0.59		4.56 / 1.18		
øw	50 Hz	7.72	7.72	8.66	9.69	9.69
	60 Hz	8.60	8.50	10.62	10.62	11.50
z ₁	-	24.65		24.65		
z ₂ / z ₃	-	3.94 / 7.28		3.94 / 7.28		
R / R ₁	1" NPT / BSP 1"	1 1/2" NPT / BSP 1 1/2"		1 1/2" NPT / BSP 1 1/2"		

DA 881 / 1

4.2.2006

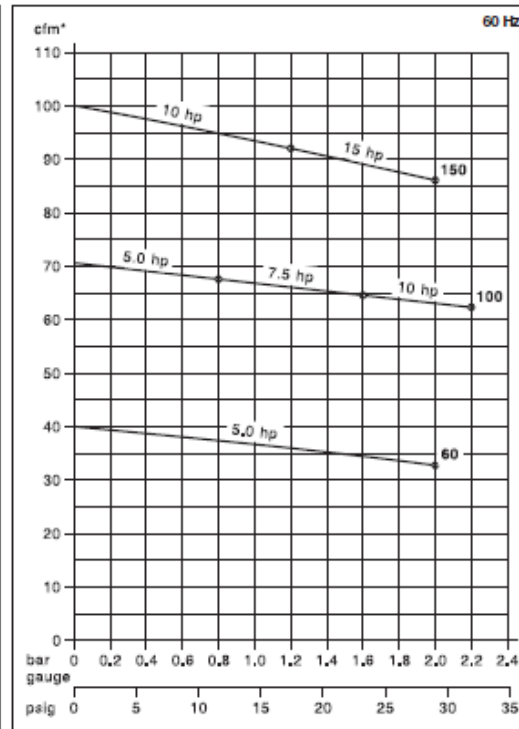
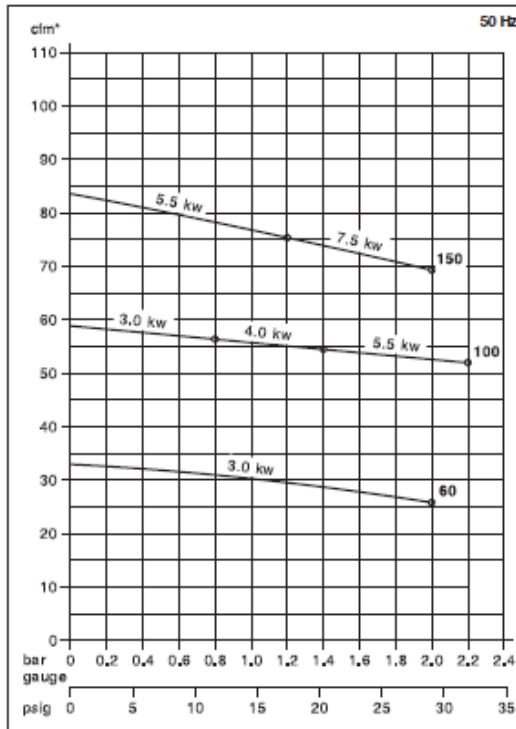
Gardner Denver, Inc.
1800 Gardner Expressway
QUINCY, IL 62305
USA
Phone (217) 222-5400
Fax (217) 221-8780
e-mail: info@vacuumpumps.com
www.gd-elmoietschle.com



Enviro-Equipment Inc.
10120 Industrial Drive
Pineville NC 28134

C-DLR	60		100			150	
cfm	50 Hz	33.0	58.9			83.6	
	60 Hz	40.0	70.6			100	
psig	50 Hz	29.0	11.6	20.3	31.9	17.4	29.0
	60 Hz	29.0	11.6	23.2	31.9	17.4	29.0
3-	50 Hz	230 / 400 V ± 10%			400 / 690 V ± 10%		
	60 Hz	208 - 230 / 460 V ± 10%					
kw	50 Hz	3.0	3.0	4.0	5.5	5.5	7.5
hp	60 Hz	5.0	5.0	7.5	10	10	15
A	60 Hz	12-11.8/5.9	13-12/6.0	19-18/9.0	25-23/11.5	25-23/11.5	37.5-34/17.0
rpm	50 Hz	2850					
	60 Hz	3450					
dB(A)	50 Hz	78	79			80	
	60 Hz	79	83			81	
lbs	50 Hz	143	232	243	287	333	333
	60 Hz	174	261	309	301	348	459
qt		0.4	0.55			0.6	
ZRZ / ZDR		#	40			40	
ZAF		-	40 (00)			40 (00)	
ZPD / ZMS / ZAD		#	#			#	

cfm psig 3- kw / hp A rpm dB(A) lbs qt	Capacity Excess pressure Motor version Motor rating Full load amperage Speed Average noise level Weight Oil capacity (Gear)	Capacidad Exceso de presión Versión motor Datos motor Amperaje de plena carga Velocidad Nivel de ruido medio Peso Instrumentos capacidad aceite	Volume engendrè Surpression Exécution moteur Puissance moteur Intensité absorbée Vitesse rotation Niveau sonore moyen Poids Charge d'huile (Engrenage)	Capacidade Pressão excessiva Versão do motor Potência do motor Amperagem da carga total Velocidade Nível médio de ruído Peso Engrenagem da capacidade do óleo
ZRZ	Accessories	Accesorios	Accessoires	Accessórios
ZDR	Non return leaf	Válvula retención	Clapet anti-retour	Válvula sem retorno
ZAF	Pressure regulating valve	Válvula reguladora de presión	Valve de réglage pression	Válvula de regulagem da pressão
ZPD	Suction filter	Filtro succión	Filtere d'aspiration	Filtro de sucção
ZMS	Pulsation silencer	Silenciador de pulsación	Absorbeur de pulsations	Silenciador de pulsação
ZAD	Motor starter	Arranque motor	Déjonneur moteur	Arranque do motor
ZBZ	Soft starter	Soft starter	Démarrage progressif	Soft starter
	Sound box	Caja de sonido	Calisson insonorisant	Canópla



* Capacity refers to free air at 1 standard atmosphere and 20° C (68° F). La capacidad se refiere al aire libre a 1 atmosfera estándar de presión y a 20° C (68° F) de temperatura. Le débit est mesuré à l'atmosphère de 1 bar (abs.) à 20° C (68° F). A capacidade refere-se ao ar livre a uma atmosfera padrão 1 e a 20° C (68° F).
Curves and tables refer to compressor at normal operating temperature. Las curvas y las tablas se refieren al compresor a la temperatura normal de operación. Las courbes et tableaux sont établis, compresseur à température de fonctionnement. As curvas e tabelas referem-se ao compressor a temperatura normal de operação.
Technical information is subject to change without notice. La información técnica está sujeta a cambios sin previo aviso. Sous réserve de modification technique. A informação técnica está sujeita a mudança sem aviso prévio.

The listed values for a, kw and full load amperage may vary because of different motor manufacturers. Los valores listados para a, kw y para el amperaje de carga completa pueden variar para distintos fabricantes de motores. Las dimensiones a et kw ainsi que l'ampérage peuvent différer des données indiquées ci-dessus, selon le fabricant du moteur. Como variam os fabricantes de motores, poderá haver variação dos valores indicados para a, kw e para uma amperagem da carga total.
on request # a pedido # sur demande # a pedido



GAST MANUFACTURING, INC.
 A Unit of IDEX Corporation
 Post Office Box 97
 Benton Harbor, Michigan
 Ph: 269/926-6171
 Fax: 269/925-8288

PART NUMBER:

LTD184

REV.

D

Product Specifications

MODEL NUMBER	MOTOR SPECIFICATIONS	RPM	MAX VAC		MAX PRESS		HP	kW	NET WT.	
			"H ₂ O	mbar	"H ₂ O	mbar			lbs.	kg
R6P355R-50	208-230/460-60-3	3450	85	212	100	249	6.0	4,47	233	105
	190-220/380-415-50-3	2850	65	162	80	199	4.5	3,35		

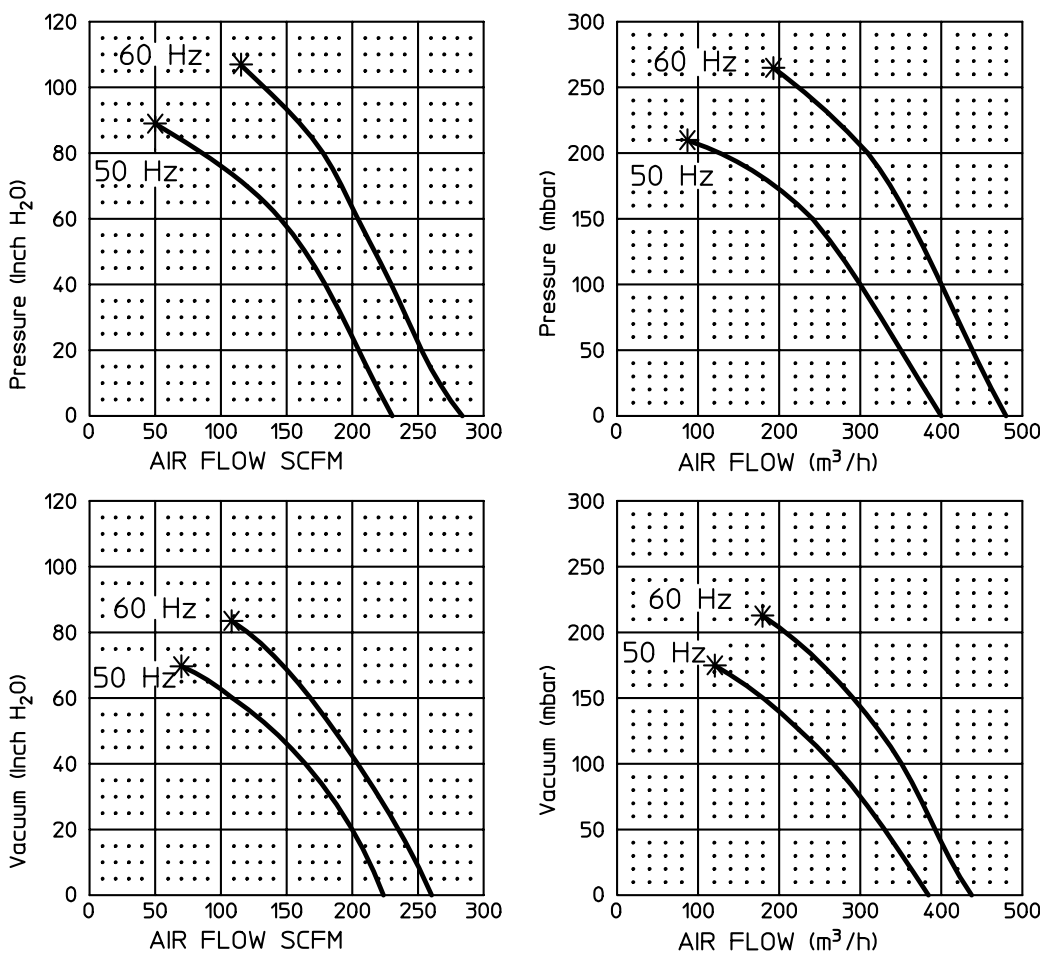
SOUND LEVEL 81/75 dB(A) MAX. @ 60/50 Hz
 NORMAL AMBIENT -29°C TO 40°C
 RELATIVE HUMIDITY 0% - 100% NON CONDENSING
 ENVIRONMENT CLEAN DUST FREE

UL AND CSA APPROVED MOTOR FOR EXPLOSIVE GAS ATMOSPHERES CLASS 1, GROUP D.

THIS BLOWER IS DESIGNED FOR SOIL AND GROUND WATER REMEDIATION.

TECHNICAL DATA SUBJECT TO CHANGE WITHOUT NOTICE.

Product Performance



PERFORMANCE DATA
 THE PERFORMANCE DATA SHOWN WAS DETERMINED UNDER THE FOLLOWING CONDITIONS:

LINE VOLTAGE @ 60 Hz. 230V OR 460V FOR 3 PHASE UNITS. 115V OR 230V FOR 1 PHASE UNITS.

LINE VOLTAGE @ 50 Hz. 220V FOR 3 PHASE OR 1 PHASE UNITS.

UNITS IN A TEMPERATURE STABLE CONDITION.

DELIVERY MEASUREMENTS MADE WITH OUTPUT PORT THROTTLED.

SUCTION MEASUREMENTS MADE WITH INPUT PORT THROTTLED.

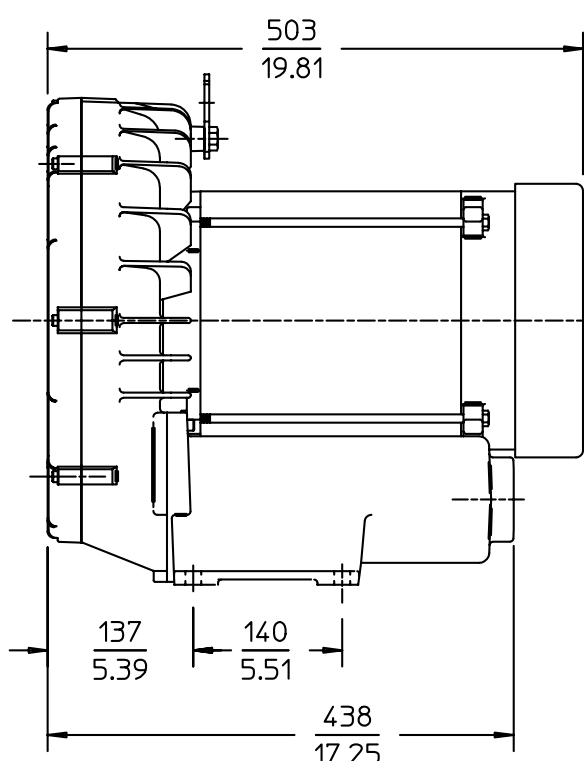
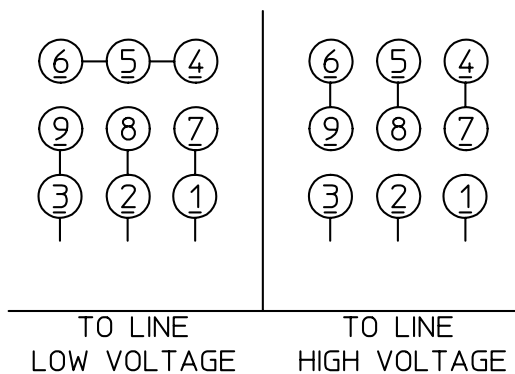
TEST CONDITIONS: INLET AIR DENSITY @ 0.075 lbs. per cu. ft. [20°C (68°F), 29.92" Hg (14.7 PSIA)].

NORMAL PERFORMANCE VARIATIONS ON THE RISTANCE CURVE WITHIN ±10% OF SUPPLIED DATA CAN BE EXPECTED.

* DENOTES RECOMMENDED MAXIMUM DUTY

Product Dimensions

mm/inches



LIFTING PLATE CAN BE TURNED OR REMOVED AFTER BLOWER INSTALLATION.

