



Enviro-Equipment Inc.
10120 Industrial Drive
Pineville NC 28134

Stock#: 391

Status: In Stock, Needs Refurbished (internal glass cleaning)

Dimensions: 12" x 5" x 7"

Weight: 6 lbs

Description: Erdco See-Flo Flowmeter

Model: 3214-08T5

Serial: 981475

Pipe Diameter: 2"

Range: 2 – 20 CFM

Fluid: Air



Meters



See-Flo® Meters indicate flow rate and permit visual inspection of water, air or other transparent fluids. For general purpose industrial service, See-Flo® meters handle a wide range of process fluids in vertical or horizontal piping runs.

The wedge shape of the meter housing makes See-Flo® practically self-cleaning. Where periodic maintenance might be necessary, the tempered glass window is easily removed and replaced.

Features

- Instantaneous flow rate measurement.
- Observe fluid conditions for color, clarity and flow.
- Use in horizontal or vertical piping systems.
- Individually calibrated for fluid and operating conditions.
- User selectable 10:1 turndown flow ranges. (See Meter Rangeability Sizing Tables)
- User selectable units of measure including dual units of measure.
- No floats to get stuck, tubes to break or dynamic seals to leak.
- Low pressure loss.
- Simple design with few parts for long service life.

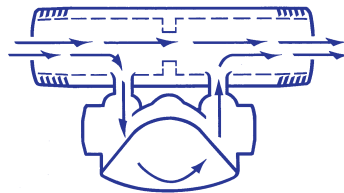
Principle of Operation

See-Flo® meters are variable area flow rate meters. The internal volume of the housing enlarges from the inlet to the outlet. The primary element is a tempered alloy vane with one end affixed to the apex of the meter housing. As the flow rate changes, the vane is flexed indirect proportion.



The ½", ¾", and 1" connections typically have female threaded ends. Sizes 1¼" through 6" utilize a shunt design.

This integral by-pass housing enables larger connection sizes in the format of a spool with a constant 12" end to end dimension. In addition, it permits a wide variety of connection types which include threaded, flanged, grooved ends and tri-clamp.



Applications

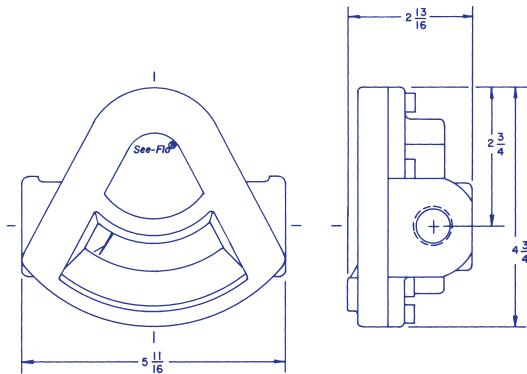
- Water
- Air
- Nitrogen
- Vacuum service
- Other transparent liquids or gases.

Specifications

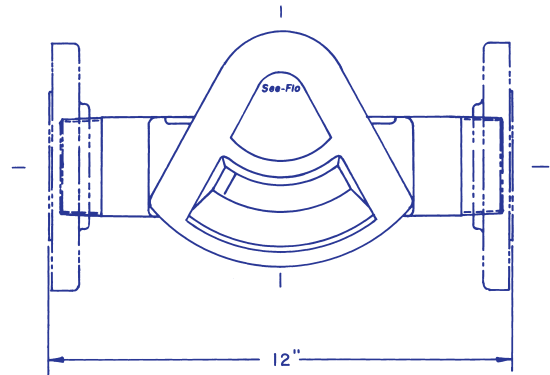
| | |
|--|--|
| Accuracy: | ± 2% full scale |
| Repeatability: | ±1% full scale |
| Scales: | Direct reading |
| Resolution: | Maximum - 30 divisions Minimum - 15 divisions |
| Materials of Construction: (wetted parts) | |
| Housing: | aluminum, brass or 316 stainless steel |
| Shunt: | housing material or carbon steel |
| Window: | tempered glass |
| Vane: | 17-7 ph stainless steel |
| "O" Rings: | Buna-n, ethylene propylene, Viton® or Kalrez® |

Meters

1/2", 3/4", & 1" connections



1 1/4" to 6" connections



Piping Connections:

- 1/2" to 1" NPT Female
- 1 1/4" to 4" NPT Male
- 1/2" to 3" Tri-clamp
- 1 1/4" to 6" Grooved
- 1 1/4" to 6" Beveled
- 1/2" to 6" 150#/300# RF/FF ANSI Flanges (carbon stl)
- 1/2" to 6" 150# RF ANSI Flanges (stainless steel)
- 1/2" to 6" 150#/300# RF ANSI Flanges (aluminum)
- 1/2" to 6" 150# FF ANSI Flanges (brass)
- 15 to 25 mm DIN 2999/BS21/ISO R7 Female threaded
- 15 to 150 mm DIN PN 10 Flanges (316 stainless stl & carbon stl)

Pressure Limits: 200 psig (13.8 bar)

Temperature Limits:

- 23 to 85°C (-10 to 185°F) with Teflon® o-ring at constant temperature conditions.
- 23 to 85°C (-10 to 185°F) with polycarbonate window.
- 23 to 121°C (-10 to 250°F) with buna-n o-ring.
- 23 to 204°C (-10 to 400°F) with Viton® or ethylene propylene o-ring.

Not intended for use with opaque liquids or steam. ERDCO reserves the right to alter design and/or specifications without notice. Viton® and Kalrez® are registered trademarks of E.I. duPont de Nemours and Co.

Model Number System

The example 3221-12F5 describes a 3200 Series See-Flo® meter with a brass body/carbon steel shunt for left to right flow. Connections are 3" 150# raised carbon steel flanges.

| 32 Series | 2 Housing Material | 1 Flow Direction | 12 Size | F Type | 5 Shunt Material |
|---------------------|--|--|--------------------------|------------------------------|--|
| 32-3200 | <ul style="list-style-type: none"> 1-Aluminum 2-Brass 6-Stainless Stl | <ul style="list-style-type: none"> 1-L to R 2-R to L 3-Up 4-Down | 02 -1/2" (15mm) | T -NPT End | <ul style="list-style-type: none"> 0-None 1-Aluminum 2-Brass 5-Carbon Steel 6-Stainless Steel |
| | | | 03 -3/4" (20mm) | R -NPT Back | |
| | | | 04 -1" (25mm) | S -Tri-clamp | |
| | | | 05 -1 1/4" (32mm) | G -Grooved | |
| | | | 06 -1 1/2" (40mm) | X -Beveled | |
| | | | 08 -2" (50mm) | W -Socket End 1/2"-1" | |
| | | | 10 -2 1/2" (65mm) | F -Flange 150#RF | |
| | | | 12 -3" (80mm) | H -Flange 150#FF | |
| | | | 16 -4" (100mm) | J -Flange 300#RF | |
| | | | 20 -5" (125mm) | K -Flange 300#FF | |
| | | | 24 -6" (150mm) | L -Flange DIN PN 10 | |
| | | | | M -Metric Thread End | |
| | N -Metric Thread Back | | | | |