



Enviro-Equipment Inc.  
10120 Industrial Drive  
Pineville NC 28134

Stock#: 384

Status: In Stock

Dimensions: 12" x 5" x 7"

Weight: 6 lbs

Description: Erdco Flow Meter

Model: 3213-08T5

Serial: 981462

Range: 4-40 SCFM

Fluid: Air

Pipe Diameter: 2"



## Meters



See-Flo® Meters indicate flow rate and permit visual inspection of water, air or other transparent fluids. For general purpose industrial service, See-Flo® meters handle a wide range of process fluids in vertical or horizontal piping runs.

The wedge shape of the meter housing makes See-Flo® practically self-cleaning. Where periodic maintenance might be necessary, the tempered glass window is easily removed and replaced.

## Features

- Instantaneous flow rate measurement.
- Observe fluid conditions for color, clarity and flow.
- Use in horizontal or vertical piping systems.
- Individually calibrated for fluid and operating conditions.
- User selectable 10:1 turndown flow ranges. (See Meter Rangeability Sizing Tables)
- User selectable units of measure including dual units of measure.
- No floats to get stuck, tubes to break or dynamic seals to leak.
- Low pressure loss.
- Simple design with few parts for long service life.

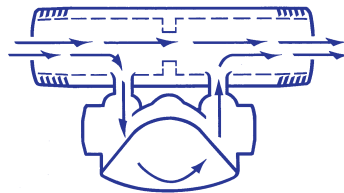
## Principle of Operation

See-Flo® meters are variable area flow rate meters. The internal volume of the housing enlarges from the inlet to the outlet. The primary element is a tempered alloy vane with one end affixed to the apex of the meter housing. As the flow rate changes, the vane is flexed indirect proportion.



The ½", ¾", and 1" connections typically have female threaded ends. Sizes 1¼" through 6" utilize a shunt design.

This integral by-pass housing enables larger connection sizes in the format of a spool with a constant 12" end to end dimension. In addition, it permits a wide variety of connection types which include threaded, flanged, grooved ends and tri-clamp.



## Applications

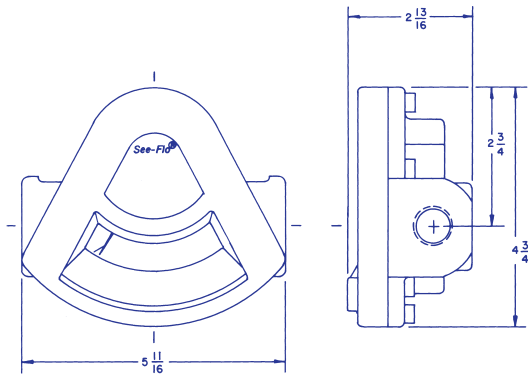
- Water
- Air
- Nitrogen
- Vacuum service
- Other transparent liquids or gases.

## Specifications

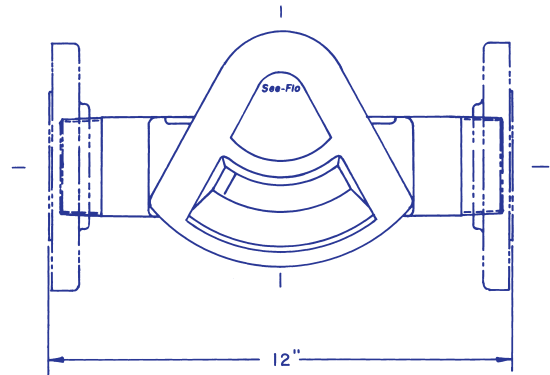
<b>Accuracy:</b>	± 2% full scale
<b>Repeatability:</b>	±1% full scale
<b>Scales:</b>	Direct reading
<b>Resolution:</b>	Maximum - 30 divisions Minimum - 15 divisions
<b>Materials of Construction:</b> (wetted parts)	
Housing:	aluminum, brass or 316 stainless steel
Shunt:	housing material or carbon steel
Window:	tempered glass
Vane:	17-7 ph stainless steel
"O" Rings:	Buna-n, ethylene propylene, Viton® or Kalrez®

## Meters

### 1/2", 3/4", & 1" connections



### 1 1/4" to 6" connections



#### Piping Connections:

- 1/2" to 1" NPT Female
- 1 1/4" to 4" NPT Male
- 1/2" to 3" Tri-clamp
- 1 1/4" to 6" Grooved
- 1 1/4" to 6" Beveled
- 1/2" to 6" 150#/300# RF/FF ANSI Flanges (carbon stl)
- 1/2" to 6" 150# RF ANSI Flanges (stainless steel)
- 1/2" to 6" 150#/300# RF ANSI Flanges (aluminum)
- 1/2" to 6" 150# FF ANSI Flanges (brass)
- 15 to 25 mm DIN 2999/BS21/ISO R7 Female threaded
- 15 to 150 mm DIN PN 10 Flanges (316 stainless stl & carbon stl)

**Pressure Limits:** 200 psig (13.8 bar)

#### Temperature Limits:

- 23 to 85°C (-10 to 185°F) with Teflon® o-ring at constant temperature conditions.
- 23 to 85°C (-10 to 185°F) with polycarbonate window.
- 23 to 121°C (-10 to 250°F) with buna-n o-ring.
- 23 to 204°C (-10 to 400°F) with Viton® or ethylene propylene o-ring.

Not intended for use with opaque liquids or steam. ERDCO reserves the right to alter design and/or specifications without notice. Viton® and Kalrez® are registered trademarks of E.I. duPont de Nemours and Co.

#### Model Number System

The example 3221-12F5 describes a 3200 Series See-Flo® meter with a brass body/carbon steel shunt for left to right flow. Connections are 3" 150# raised carbon steel flanges.

<b>32</b> Series	<b>2</b> Housing Material	<b>1</b> Flow Direction	<b>12</b> Size	<b>F</b> Type	<b>5</b> Shunt Material
<b>32-3200</b>	<ul style="list-style-type: none"> <li>1-Aluminum</li> <li>2-Brass</li> <li>6-Stainless Stl</li> </ul>	<ul style="list-style-type: none"> <li>1-L to R</li> <li>2-R to L</li> <li>3-Up</li> <li>4-Down</li> </ul>	<b>02</b> -1/2" (15mm)	<b>T</b> -NPT End	<b>0</b> -None
			<b>03</b> -3/4" (20mm)	<b>R</b> -NPT Back	<b>1</b> -Aluminum
			<b>04</b> -1" (25mm)	<b>S</b> -Tri-clamp	<b>2</b> -Brass
			<b>05</b> -1 1/4" (32mm)	<b>G</b> -Grooved	<b>5</b> -Carbon Steel
			<b>06</b> -1 1/2" (40mm)	<b>X</b> -Beveled	<b>6</b> -Stainless Steel
			<b>08</b> -2" (50mm)	<b>W</b> -Socket End 1/2"-1"	
			<b>10</b> -2 1/2" (65mm)	<b>F</b> -Flange 150#RF	
			<b>12</b> -3" (80mm)	<b>H</b> -Flange 150#FF	
			<b>16</b> -4" (100mm)	<b>J</b> -Flange 300#RF	
			<b>20</b> -5" (125mm)	<b>K</b> -Flange 300#FF	
			<b>24</b> -6" (150mm)	<b>L</b> -Flange DIN PN 10	
				<b>M</b> -Metric Thread End	
	<b>N</b> -Metric Thread Back				