




ENVIRO-EQUIPMENT

REMEDIAION DIVISION

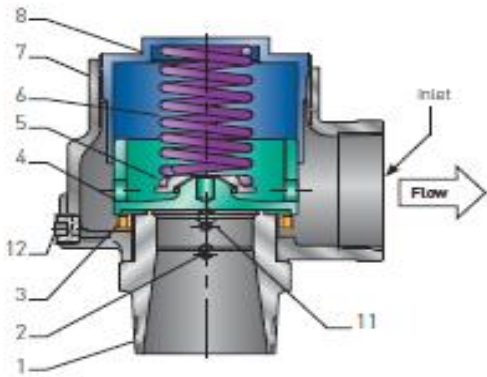
STOCK# 1369

REFURBISHED EQUIPMENT

ITEM: KUNKLE 215V VACUUM RELEIF VALVE	SPECIFICATION
	<p>MANUFACTURER: EMERSON MODEL: 215V VACUUM RANGE: Set at 7" HG (95.17" of H2O) MAX. FLOW (SCFM): 564 CONNECTIONS: 2 1/2" THREADED NPT TEMP. RANGE: -20^F to 406^F SERIAL NO: N/A EEI SN: 190613-01</p>
	<p style="text-align: center;">FEATURES</p> <ul style="list-style-type: none"> * Large nozzle design provides high capacity flow. * Flat bronze valve seats ar lapped for optimum performance. * Warn ring offers easy adjustability for percise opening with minimum pre-open or simmer. * Pivot between disc and spring corects misalignment and and compensates for spring side thrust * Has seal cap for vacuum service.

GENERAL APPLICATION
<p>EMERSON Kunkle Model 215V Vacuum Relief Valve is suitable for the protection of high volume vacuum pumps, conveying systems, and light gauge tanks.</p>

PARTS AND MATERIALS



MODEL 215V

Part No.	Part Name	
1	Nozzel	Bronze, SB62 or Brass B283-C48500
2	Set Screw	Steel A108-1018 Brass Plated
3	Regulator Ring	Bronze BS584 alloy 84400
4	Disc	Bronze BS584 alloy 84401
5	Spring Step	Steel A109 Coated
6	Spring	SS, A313 TY 302 or 17-7
7	Body	Cast Iron A-126, CL A or B
8	Compression Screw	Bronze BS584 alloy 84400
11	Reg. Ring Set Screw	N/A
12	NPT Drain Plug	Steel A108-1018

SPECIFICATIONS

