




# ENVIRO-EQUIPMENT

REMEDIAION DIVISION

STOCK# 1367

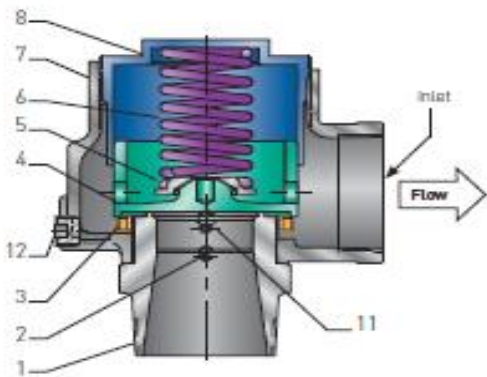
REFURBISHED EQUIPMENT

ITEM: KUNKLE 215V VACUUM RELEIF VALVE	SPECIFICATION
	MANUFACTURER: EMERSON MODEL: 215V - HO1 VACUUM RANGE: Set at 2" HG (27.21" of H2O) MAX. FLOW (SCFM): 229 CONNECTIONS: 2" THREADED NPT TEMP. RANGE: -20 <sup>F</sup> to 406 <sup>F</sup> SERIAL NO: N/A EEI SN:190607-01
	<b>FEATURES</b> <ul style="list-style-type: none"> <li>* Large nozzle design provides high capacity flow.</li> <li>* Flat bronze valve seats ar lapped for optimum performance.</li> <li>* Warn ring offers easy adjustability for percise opening with minimum pre-open or simmer.</li> <li>* Pivot between disc and spring corects misalignment and and compensates for spring side thrust</li> <li>* Has seal cap for vacuum service.</li> </ul>

## GENERAL APPLICATION

EMERSON Kunkle Model 215V Vacuum Relief Valve is suitable for the protection of high volume vacuum pumps, conveying systems, and light gauge tanks.

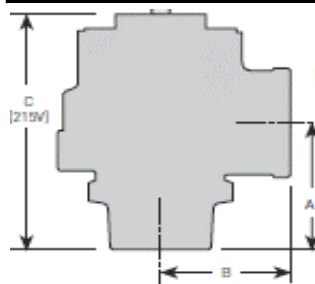
## PARTS AND MATERIALS



MODEL 215V

Part No.	Part Name	
1	Nozzel	Bronze, SB62 or Brass B283-C48500
2	Set Screw	Steel A108-1018 Brass Plated
3	Regulator Ring	Bronze BS584 alloy 84400
4	Disc	Bronze BS584 alloy 84401
5	Spring Step	Steel A109 Coated
6	Spring	SS, A313 TY 302 or 17-7
7	Body	Cast Iron A-126, CL A or B
8	Compression Screw	Bronze BS584 alloy 84400
11	Reg. Ring Set Screw	N/A
12	NPT Drain Plug	Steel A108-1018

## SPECIFICATIONS



A	3 1/4"
B	3"
C	6 1/2"
Weight (lb)	8-Lb