




ENVIRO-EQUIPMENT

REMEDIAION DIVISION

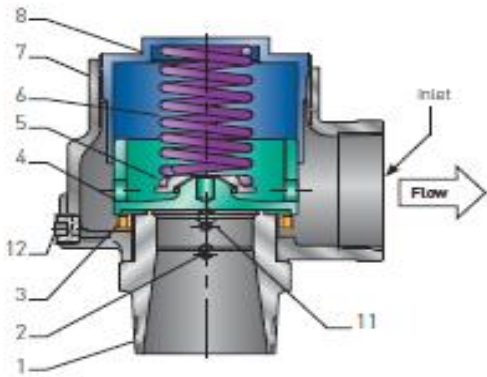
STOCK# 1361

REFURBISHED EQUIPMENT

| ITEM: KUNKLE 215V VACUUM RELEIF VALVE | SPECIFICATION |
|---|--|
|  | <p>MANUFACTURER: EMERSON MODEL: 215V - HO1 VACUUM RANGE: Set at 5" HG (67.98" of H2O) MAX. FLOW (SCFM): 331 CONNECTIONS: 2" THREADED NPT TEMP. RANGE: -20^F to 406^F SERIAL NO: N/A EEI SN: 190614-01</p> |
| | <p style="text-align: center;">FEATURES</p> <ul style="list-style-type: none"> * Large nozzle design provides high capacity flow. * Flat bronze valve seats ar lapped for optimum performance. * Warn ring offers easy adjustability for percise opening with minimum pre-open or simmer. * Pivot between disc and spring corects misalignment and and compensates for spring side thrust * Has seal cap for vacuum service. |

| GENERAL APPLICATION |
|--|
| <p>EMERSON Kunkle Model 215V Vacuum Relief Valve is suitable for the protection of high volume vacuum pumps, conveying systems, and light gauge tanks.</p> |

PARTS AND MATERIALS



MODEL 215V

| Part No. | Part Name | |
|----------|---------------------|-----------------------------------|
| 1 | Nozzel | Bronze, SB62 or Brass B283-C48500 |
| 2 | Set Screw | Steel A108-1018 Brass Plated |
| 3 | Regulator Ring | Bronze BS584 alloy 84400 |
| 4 | Disc | Bronze BS584 alloy 84401 |
| 5 | Spring Step | Steel A109 Coated |
| 6 | Spring | SS, A313 TY 302 or 17-7 |
| 7 | Body | Cast Iron A-126, CL A or B |
| 8 | Compression Screw | Bronze BS584 alloy 84400 |
| 11 | Reg. Ring Set Screw | N/A |
| 12 | NPT Drain Plug | Steel A108-1018 |

SPECIFICATIONS

