




ENVIRO-EQUIPMENT

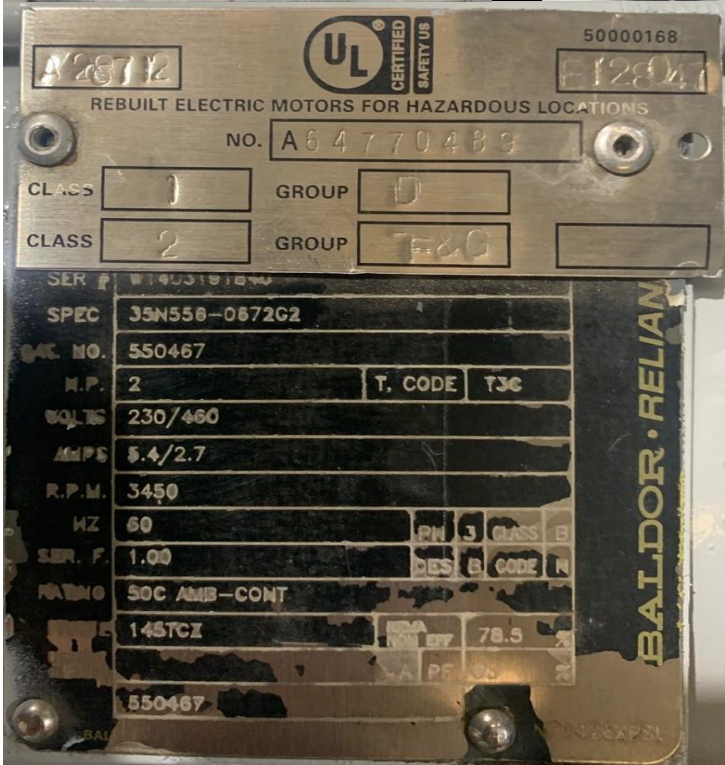
REMEDIATION DIVISION

STOCK# 1508

REFURBISHED EQUIPMENT

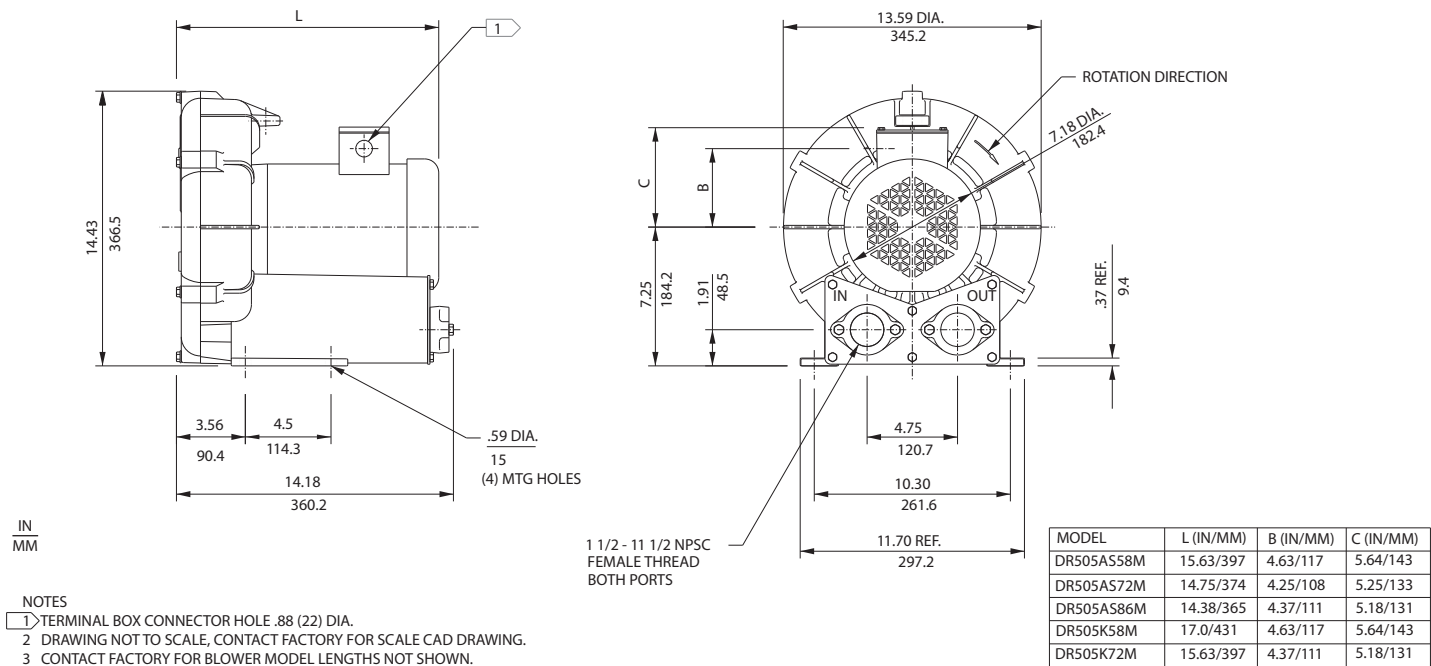
ITEM: Ametek CP505FS72MLR Regenerative Blower	SPECIFICATION
	<p>MANUFACTURER: Ametek</p> <p>MODEL: CP505FS72MLR Part No. 038962</p> <p>VACUUM RANGE: Max. Vac. 73 IWG</p> <p>MAX. FLOW (SCFM): 150</p> <p>Motor: 2 HP XP Motor Class B 230/460v, 3-phase, 60-Hz AMP. 5.4/2.7 NEMA Eff.</p> <p>SERIAL NO: W1403191840</p> <p>Dimensions (Blower Only): 14.18" x 13.59" x 14.43"</p> <p>Shipping Weight: 86 lbs</p> <p>Condition: Good</p> <p>Cleaned and painted, tested and meets manufacturers specifications.</p>

Additional Pictures



DR 505 & CP 505

2.0 / 3.0 HP Regenerative Blower



Specification	Units	Part/ Model Number						
		DR505AS58M 037542	DR505AS72M 037543	DR505AS86M 037544	DR505K58M 081882	DR505K72M 037551	CP505FE72MLR 038239	CP505CT72MLR 038237
Motor Enclosure - Shaft Mtl.	-	TEFC - CS	TEFC - CS	TEFC - CS	TEFC - CS	TEFC - CS	Chem TEFC - SS	Chem TEFC - SS
Horsepower	-	2.0	2.0	2.0	3.0	3.0	3.0	2.0
Voltage	AC	115/230	230/460	575	115/230	230/460	230/460	230/460
Phase - Frequency	-	Single - 60 Hz	Three - 60 Hz	Three - 60 Hz	Single - 60 Hz	Three - 60 Hz	Three - 60 Hz	Three - 60 Hz
Insulation Class	-	F	F	F	F	F	F	F
NEMA Rated Motor Amps	Amps (A)	18.2/9.1	5.4/2.7	2.3	25.6/12.8	7.6/3.8	7.6/3.8	5.4/2.7
Service Factor	-	1.15	1.15	1.15	1.15	1.15	1.15	1.15
Max. Blower Amps	Amps (A)	24/11.5	6.8/3.4	3.0	28/14	8.8/4.4	8.8/4.4	6.8/3.4
Locked Rotor Amps	Amps (A)	138/69	38/19	21	194/97	88/44	88/44	38/19
NEMA Starter Size	-	1/0	00/00	00	1.5/0	0/0	0/0	00/00
Shipping Weight	Lbs	97	82	84	91	86	86	82
	Kg	44	37.2	38.1	41.3	39	39	37.2

Voltage - ROTRON motors are designed to handle a broad range of world voltages and power supply variations. Our dual voltage 3 phase motors are factory tested and certified to operate on both: **208-230/415-460 VAC-3 ph-60 Hz** and **190-208/380-415 VAC-3 ph-50 Hz**. Our dual voltage 1 phase motors are factory tested and certified to operate on both: **104-115/208-230 VAC-1 ph-60 Hz** and **100-110/200-220 VAC-1 ph-50 Hz**. All voltages above can handle a ±10% voltage fluctuation. Special wound motors can be ordered for voltages outside our certified range.

Operating Temperatures - Maximum operating temperature: Motor winding temperature (winding rise plus ambient) should not exceed 140°C for Class F rated motors or 120°C for Class B rated motors. Blower outlet air temperature should not exceed 140°C (air temperature rise plus inlet temperature). Performance curve maximum pressure and suction points are based on a 40°C inlet and ambient temperature. Consult factory for inlet or ambient temperatures above 40°C.

Maximum Blower Amps - Corresponds to the performance point at which the motor or blower temperature rise with a 40°C inlet and/or ambient temperature reaches the maximum operating temperature.

This document is for informational purposes only and should not be considered as a binding description of the products or their performance in all applications. The performance data on this page depicts typical performance under controlled laboratory conditions. AMETEK is not responsible for blowers driven beyond factory specified speed, temperature, pressure, flow or without proper alignment. Actual performance will vary depending on the operating environment and application. AMETEK products are not designed for and should not be used in medical life support applications. AMETEK reserves the right to revise its products without notification. The above characteristics represent standard products. For product designed to meet specific applications, contact AMETEK Technical & Industrial Products Sales department.

2.0 / 3.0 HP Regenerative Blower

FEATURES

- Manufactured in the USA - ISO 9001 and NAFTA compliant
- CE compliant - Declaration of Conformity on file
- Maximum flow: 150 SCFM
- Maximum pressure: 65 or 88 IWG
- Maximum vacuum: 73 IWG
- Standard motor: 2.0 or 3.0 HP, TEFC
- Cast aluminum blower housing, impeller & cover; cast iron flanges (threaded)
- UL & CSA approved motor with permanently sealed ball bearings
- Inlet & outlet internal muffling
- Quiet operation within OSHA standards

MOTOR OPTIONS

- International voltage & frequency (Hz)
- Chemical duty, high efficiency, inverter duty or industry-specific designs
- Various horsepower for application-specific needs

BLOWER OPTIONS

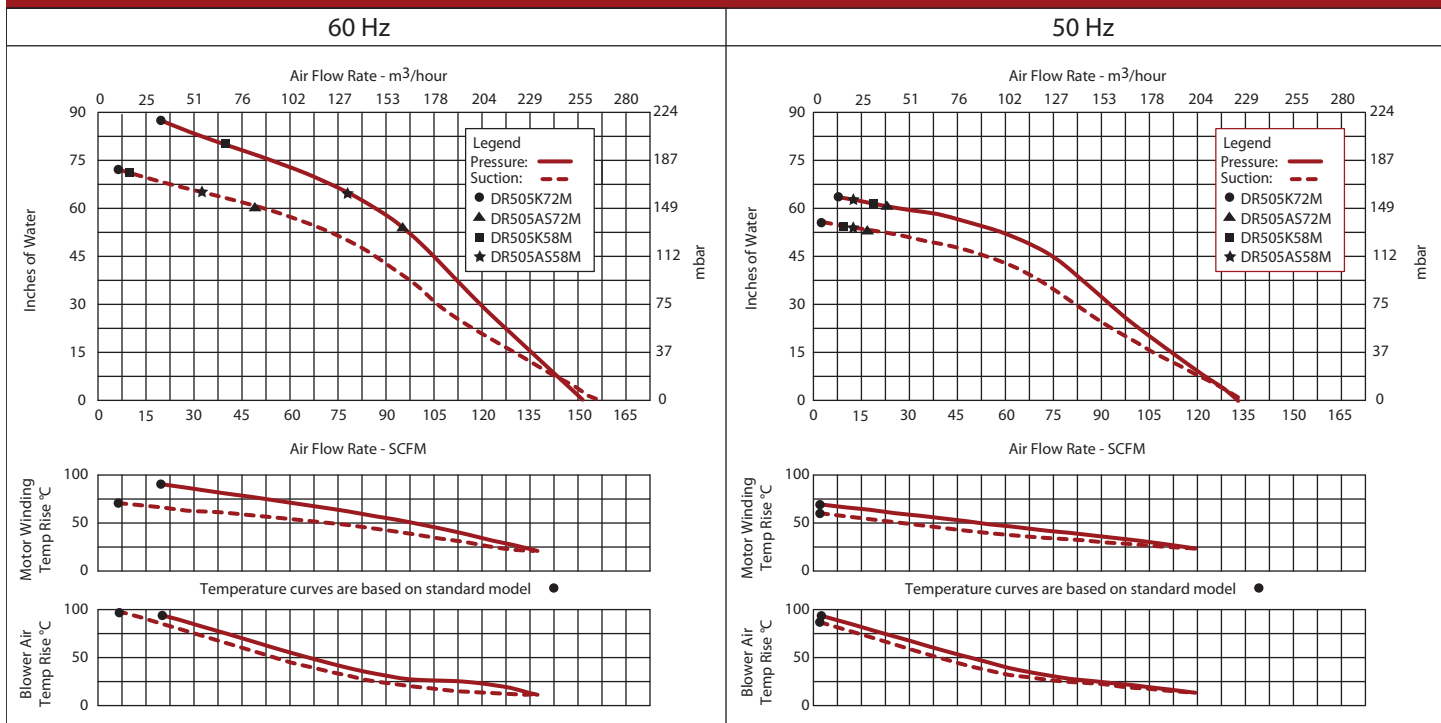
- Corrosion resistant surface treatments & sealing options
- Remote drive (motorless) models
- Slip-on or face flanges for application-specific needs

ACCESSORIES

- Flowmeters reading in SCFM
- Filters & moisture separators
- Pressure gauges, vacuum gauges, & relief valves
- Switches - air flow, pressure, vacuum, or temperature
- External mufflers for additional silencing
- Air knives (used on blow-off applications)
- Variable frequency drive package



Blower Performance at Standard Conditions



This document is for informational purposes only and should not be considered as a binding description of the products or their performance in all applications. The performance data on this page depicts typical performance under controlled laboratory conditions. AMETEK is not responsible for blowers driven beyond factory specified speed, temperature, pressure, flow or without proper alignment. Actual performance will vary depending on the operating environment and application. AMETEK products are not designed for and should not be used in medical life support applications. AMETEK reserves the right to revise its products without notification. The above characteristics represent standard products. For product designed to meet specific applications, contact AMETEK Technical & Industrial Products Sales department.