



Enviro-Equipment Inc.  
10120 Industrial Drive  
Pineville NC 28134

Stock#: 886

Status: In Stock

Description: Price Pump Model 2MS50 with 1HP 3PH 3450RPM 208-230/460V Baldor Motor





## MS50

### Pump Volute / Impeller Materials

- 1MS50 (SS) – 316SS / 316SS (one-stage)
- 2MS50 (SS) – 316SS / 316SS (two-stages)
- 3MS50 (SS) – 316SS / 316SS (three-stages)
- 4MS50 (SS) – 316SS / 316SS (four-stages)
- 5MS50 (SS) – 316SS / 316SS (five-stages)
- 6MS50 (SS) – 316SS / 316SS (six-stages)

### Features

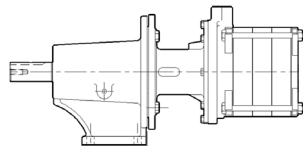
- **Pump Design** – Compact, close coupled
- **Double Seal** – Type 21 available
- **Flush Options** – Recirculating, & Quench available
- **Stub Shaft** – Replaceable 316SS shaft

### Applications

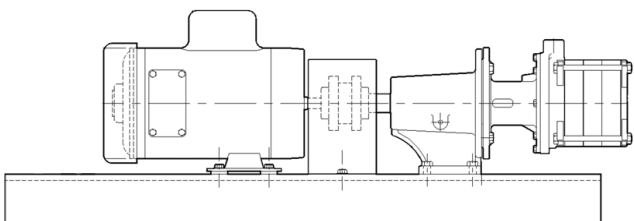
- Deionized Water
- Laser System Cooling
- Ultrafiltration Systems
- Reverse Osmosis Systems
- Booster Pumps
- Acid Handling

### Optional Configurations

- **Air Motor:** Up to 2-1/2 HP
- **Power Frame Mounting:**



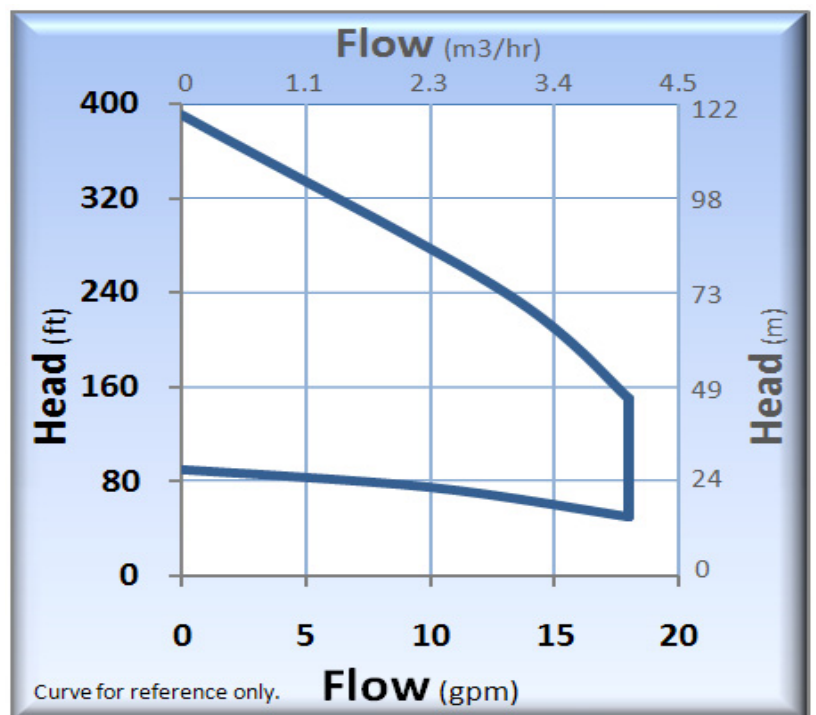
- **Long-Coupled Mounting:**



### Standard Specifications

- MS50 Discharge 1/2" FNPT, Suction 3/4" FNPT
- Maximum Impeller Diameter: 4.12"
- Stub Shaft: 5/8" 316SS (7/8" Optional)
- Motor: NEMA C Face (Multiple enclosures available)
- Mechanical Seal:
  - Single, 5/8" Type 21 Viton, Carbon vs. Ceramic
  - Note: Additional seal options available*
- Bracket Material: 316SS
- O-rings: Viton, (Call for other options)

### Performance Curve – 60 Hz



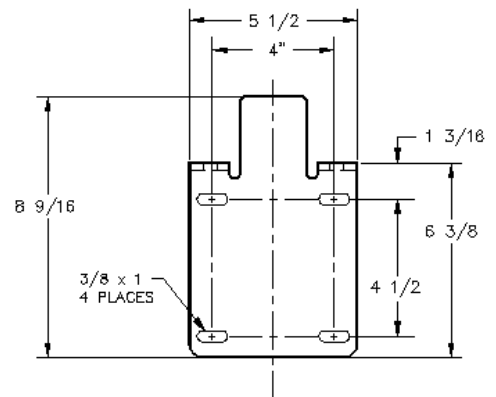
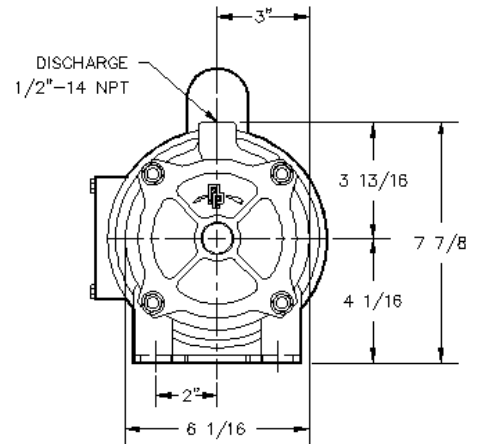
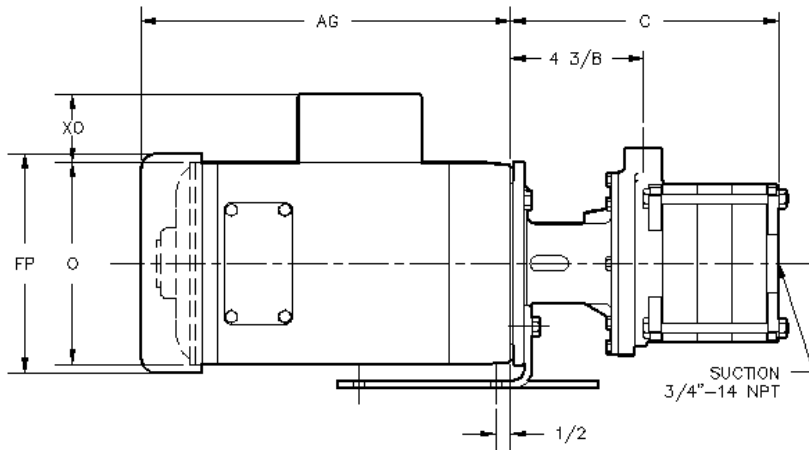
# MS50

Technical Information	
Max Flow	18 GPM (4.1 m3/hr)
Max Head	390 feet (119 m)
Min. Flow	0.5 GPM (0.1 m3/hr)
Max Solid Size	0.030" (0.76 mm)
Max Working Pressure	(Type 8 Seal) 325 PSI (22.4 bar)
	(Type 9 Seal) 350 PSI (24.1 bar)
	(Type 21 Seal) 150 PSI (10.3 bar)
	(Type 2106 Seal) 150 PSI (10.3 bar)
Max Temp.	300°F (149°C)*

Materials of Construction	
MS50	SS
Volute / Suction Plate	316 Stainless Steel
Impeller	316 Stainless Steel
Diffusers	316 Stainless Steel
Stage Separators	316 Stainless Steel
Bracket	316 Stainless Steel
O-rings	Viton
Fasteners	316 Stainless Steel

\* Temperature limits are based on standard seal and O-ring materials, and will vary according to the liquid being pumped.

## Dimensions (MS50)



HP	RPM	FRM	MOTOR END DIMENSIONS			
			AG	FP	O	XD
1/4	1800	56C	7 3/4	6 1/8	5 3/8	2 1/16
1/3	1800	56C	8 1/4	6 1/8	5 3/8	2 1/16
1/2	1800	56C	8 3/4	6 1/8	5 3/8	2 1/16
1/3	3600	56C	8 1/2	6 1/8	5 3/8	2 1/16
1/2	3600	56C	8 3/4	6 1/8	5 3/8	2 1/16
3/4	3600	56C	9 1/4	6 1/8	5 3/8	2 1/16
1	3600	56C	9 3/4	6 1/8	5 3/8	2 1/16
1 1/2	3600	56C	10 1/2	7 3/16	6 7/8	2 1/4
2	3600	56C	11 1/8	7 3/16	6 7/8	2 1/4
3	3600	56C	12 3/8	7 3/16	6 7/8	2 1/4
5	3600	184C	13 5/8	8 1/2	7 7/8	2 1/4

PUMP LENGTH: (IN INCHES)		
MODEL	STAGES	C
1MS50-SS-33	1 STAGE	5 3/8
2MS50-SS-75	2 STAGE	6 1/2
3MS50-SS-100	3 STAGE	7 5/8
4MS50-SS-150	4 STAGE	8 3/4
5MS50-SS-200	5 STAGE	9 7/8
6MS50-SS-300	6 STAGE	11

NOTE:  
MOTOR DIMENSIONS WILL VARY BY MODEL AND MAKE,  
DIMENSIONS ARE TO BE USED FOR REFERENCE ONLY.

**PRICE PUMP CO.**

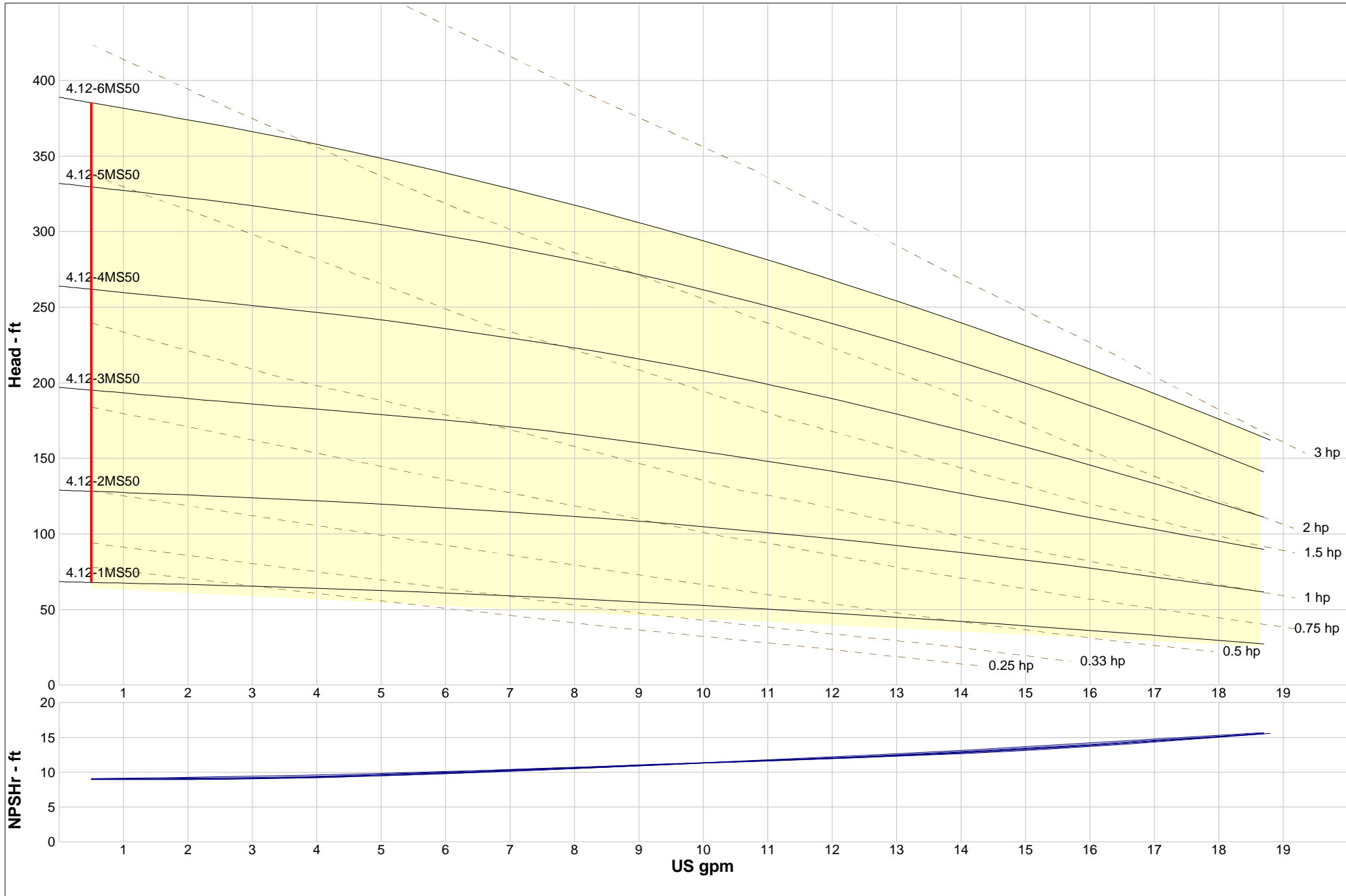
Contact factory for special pump configurations,  
same day, and next day delivery options.

21775 Eighth Street East  
Sonoma, CA 95476-0329  
MAIN (707) 938-8441  
TOLL FREE (800) 345-7867  
FAX (707) 938-0764  
E-mail: [sales@pricepump.com](mailto:sales@pricepump.com)  
Website: [www.pricepump.com](http://www.pricepump.com)

Member of:  
**Hydraulic INSTITUTE**



Rev. Date: May 2009



Company:  
Name:  
8/25/2011

Price Pump Company  
Catalog: Price Close Coupled Pumps.60, Vers 1.2  
MS50 - 3600

Model: MS50  
Speed: 3500 rpm  
Line: 4.12-6MS50  
Curve: XMS50-A

