



Enviro-Equipment Inc.
10120 Industrial Drive
Pineville NC 28134

Stock#: 790

Status: In stock, untested, appears to be in new never used condition

Dimensions: 15x13x14"

Weight: 76 pounds

Description: DR454R58 1.5HP 115/230V 1PH TEFC Blower



DR 454 Regenerative Blower

FEATURES

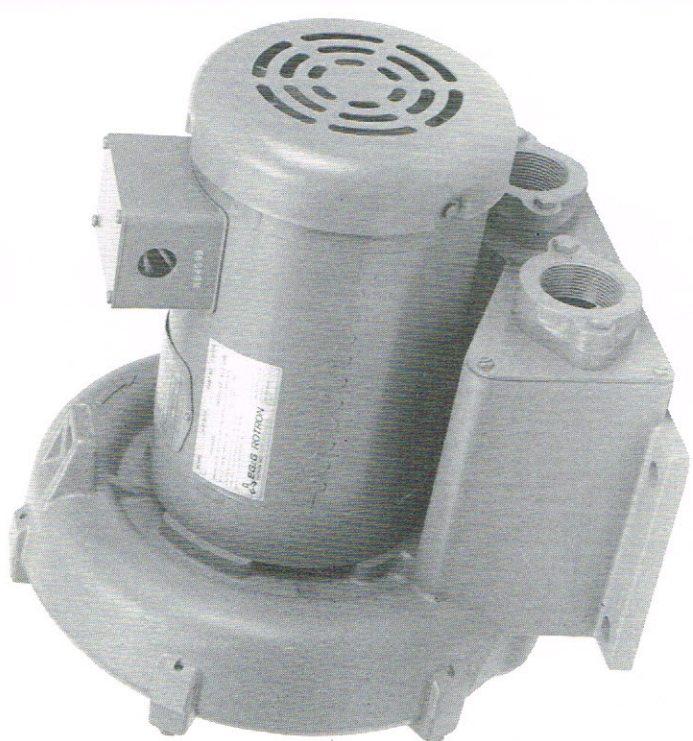
- Manufactured in the USA
- Maximum flow 127 SCFM
- Maximum pressure 65" WG
- Maximum vacuum 4.3" Hg
- 1.5 HP standard
- Blower construction—cast aluminum housing, impeller and cover
- Inlet and outlet internal muffling
- Noise level within OSHA standards
- Weight: 73 lbs. (33 Kg)

ACCESSORIES

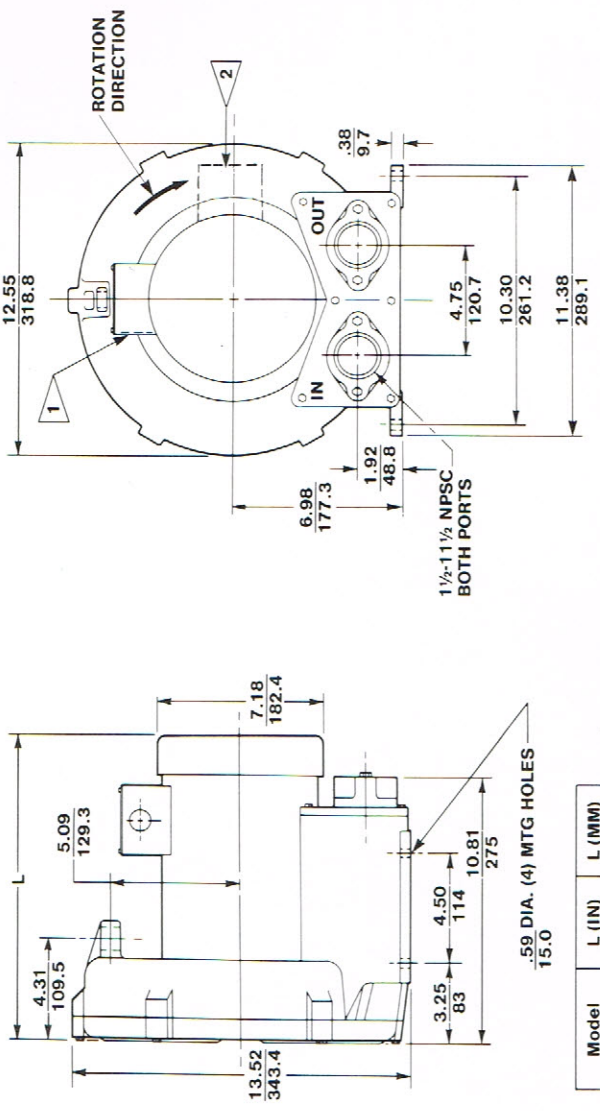
- External mufflers
- Slip-on flanges
- Inlet and/or inline filters
- For details see Accessories Section

OPTIONS

- Smaller horsepower motors
- 575-volt and XP motors
- Surface treatment or plating
- Single or three phase motors
- Gas tight sealing
- Belt drive (motorless) model; for detail see Remote Drive Section



DR 454 Regenerative Blower



Model	L (IN)	L (MM)
DR454R58	14.59	370.6
DR454W58	17.51	444.8
DR454R72	13.59	345.2
DR454W72	16.63	422.4
DR454R86	13.59	345.2

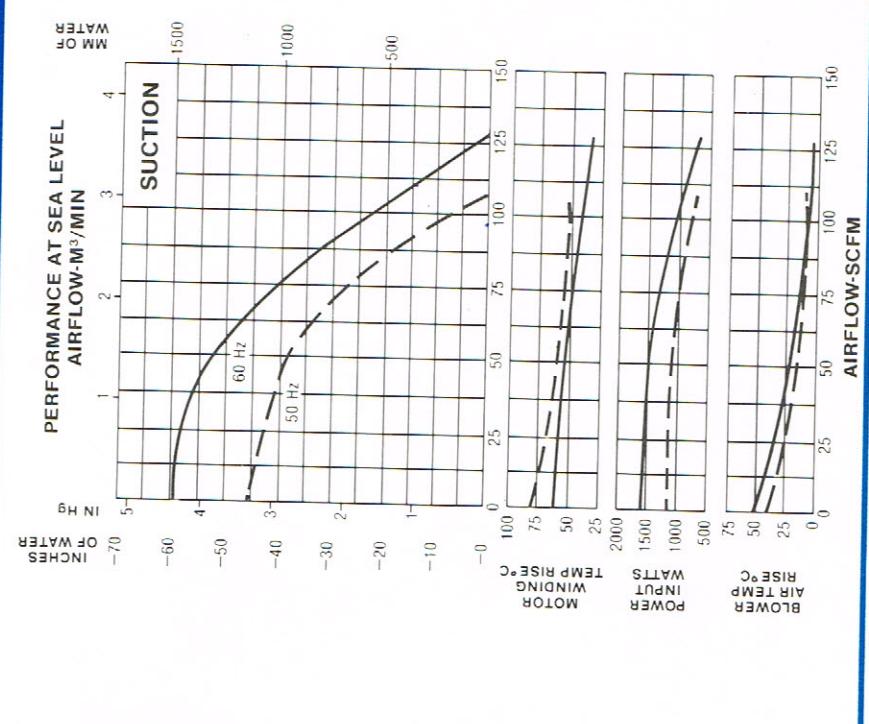
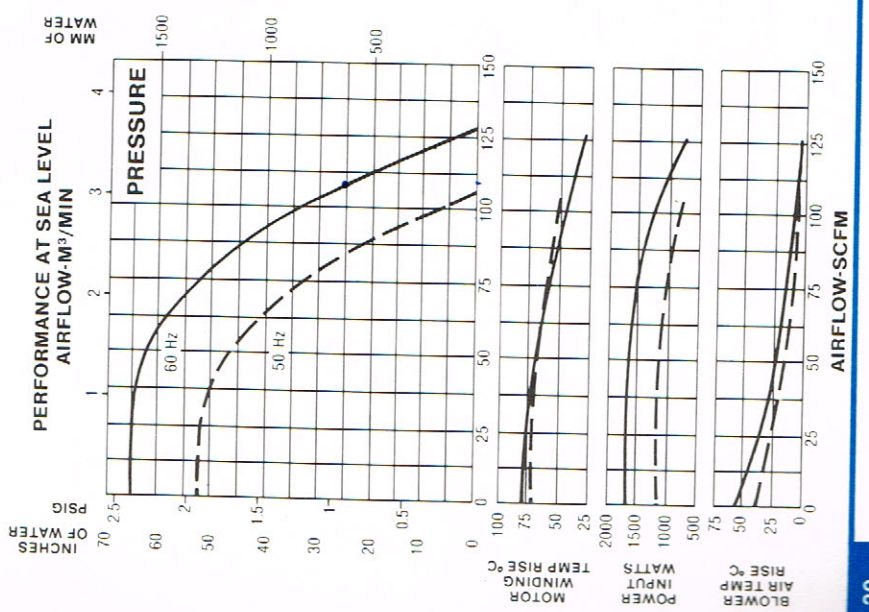
1 T BOX CONNECTION .87" DIA. ON TEFC MOTORS, .75 NPT ON XP MOTORS

2 LOCATION OF CAPACITOR ON SINGLE PHASE MOTORS. LOCATION OF TERMINAL BOX ON XP MODELS

DIMENSIONS: IN / MM

TOLERANCE: .XX ± .06 / 1.5

Specifications Subject To Change Without Notice.



SPECIFICATIONS

MODEL	DR454R58	DR454W58	DR454R72	DR454W72	DR454R86
Part No.	036856	036858	036855	036857	036949
Motor Enclosure Type	TEFC	XP	TEFC	XP	TEFC
Motor Horsepower	1.5	1.5	1.5	1.5	1.5
Voltage ¹	115/230	115/230	230/460	230/460	575
Phase	1	1	3	3	3
Frequency ¹ (Hz)	60	60	60	60	60
Insulation Class ²	F	B	F	B	F
NEMA Rated Motor Amps	17.7/8.85	17.7/8.85	4.5/2.25	4.5/2.25	1.8
Service Factor	1.15	1.0	1.15	1.0	1.15
Locked Rotor Amps	96/48	96/48	32/16	32/16	12.8
Max. Blower Amps	19.0/9.5	19.0/9.5	4.8/2.4	4.8/2.4	2.0
Recommended NEMA Starter Size	1/0	1/0	00/00	00/00	00
Weight (lbs/Kg)	87/39	103/47	73/33	92/42	73/33
Blower Limitations for Continuous Duty (60 Hz/50 Hz)					
Max. Pressure-In. of water	65/52	65/52	65/52	65/52	65
Min. Suction-In. of water	59/45	59/45	59/45	59/45	59
Min. Flow-Pressure-SCFM	0/0	0/0	0/0	0/0	0
Min. Flow-Suction-SCFM	0/0	0/0	0/0	0/0	0

¹All 3 phase motors are factory tested and certified to operate on 200-230/460 VAC-3 ph-60 Hz and 220-240/380-415 VAC-3 ph-50 Hz. All 1 phase motors are factory tested and certified to operate on 115/230 VAC-1 ph-60 Hz and 220-240 VAC-1 ph-50 Hz.

²Maximum operating temperatures: Motor winding temperature (winding rise plus ambient) should not exceed 140°C for Class F insulation or 110°C for Class B insulation. Blower outlet air temperature should not exceed 140°C (air temperature rise plus ambient).