



Enviro-Equipment Inc.  
10120 Industrial Drive  
Pineville NC 28134

Stock#: 703

Status: In stock

Dimensions: 54"x14"x22"

Weight: 273 lbs

Description:

**Blower:**

MFG- Gast

Model- Believed to be Part of a 1290

Serial-

Port size-

**Motor:**

MFG- World Motor

Model- T779A

Serial- B0901021329001F

CAT#-

Frame- 215T

Class-

SF- 1.25

AMB- 40C

HP- 10

RPM- 1755

Voltage- 208-230/460

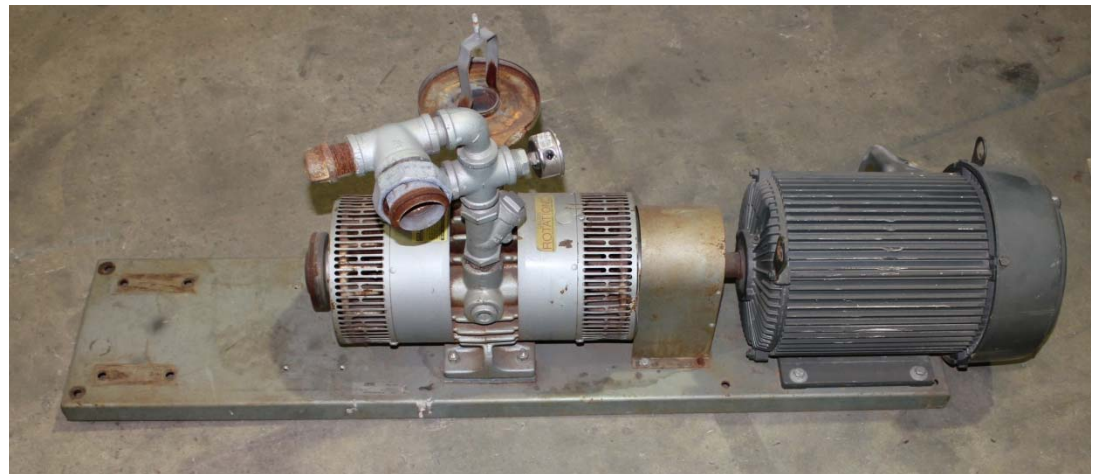
AMP- 27.2-24.6/12.3

Phase- 3

Hz- 60

DUTY- Continuous

CODE- F





# Special Purpose Units – Compressors for Soil Sparging up to 112 cfm



Model 0823

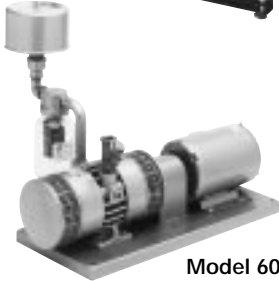
Units are supplied with special, high capacity filtration plus motors that allow up to 30% more pressure than the standard model counterpart.



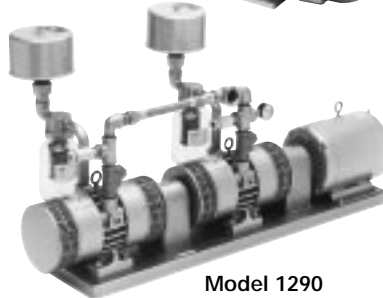
Model 2080/3080



Model 2067/2567



Model 6066



Model 1290

## Oilless 0823, 2080/3080, 2067/2567, 6066 and 1290 Series

### MODEL 0823

10 PSI MAX. CONTINUOUS PRESSURE  
8 CFM OPEN FLOW

### MODELS 2080/3080

15 PSI MAX. PRESSURE  
25-35 CFM OPEN FLOW

### MODELS 2067/2567

20 PSI MAX. PRESSURE  
17-21 CFM OPEN FLOW

### MODELS 6066

20 PSI MAX. PRESSURE  
37-55 CFM OPEN FLOW

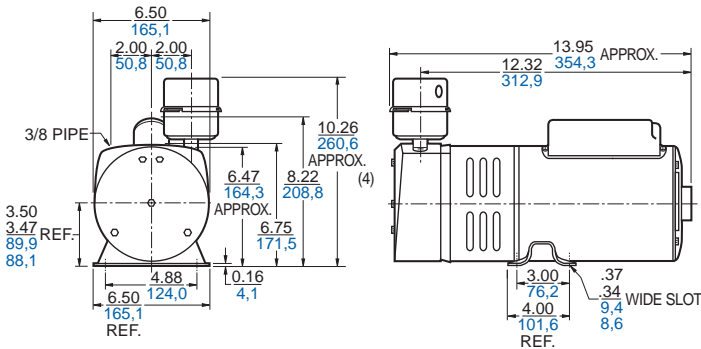
### MODELS 1290

20 PSI MAX. PRESSURE  
112 CFM OPEN FLOW

### Product Dimensions (mm, inches)

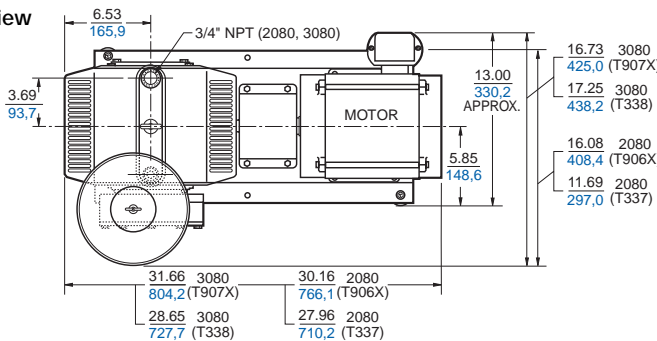
Dimensions are for reference only.

#### Model 0823

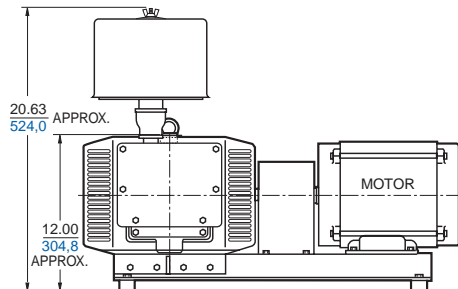


#### Models 2080/3080

##### Top View



##### Side View



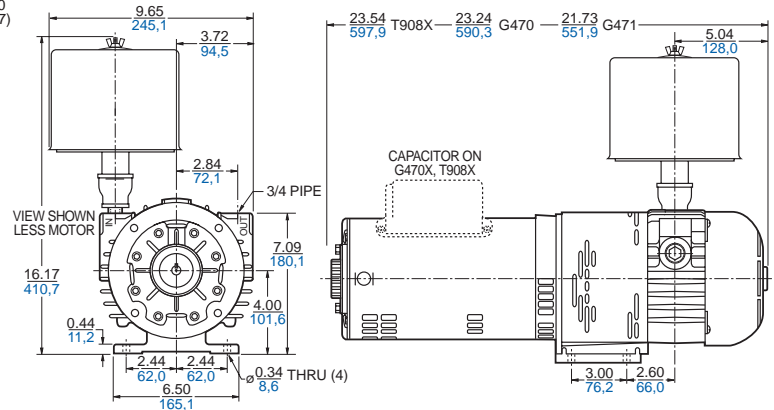
### PRODUCT FEATURES

- Oilless operation
- Rugged construction/low maintenance
- Heavy-duty filters

### RECOMMENDED ACCESSORIES

- Pressure gauge AA644B
- Relief valves:
  - AA600 (0823)
  - AN225 (2080, 3080)
  - AA307 (2067, 2567, 6066, 1290)
- Repair kits:
  - K479A (0823)
  - K546 (2080, 3080)
  - K585 (filter/muffler kit for 2080)
  - K584 (filter/muffler kit for 3080)
  - K357 (2067, 2567)
  - K503 (6066, 1290 - use 2)

#### Models 2067/2567





## Product Specifications

Note: All models are compressors.

Model Number	Motor	RPM		HP	kW	Net Wt.	
		60 cycle	50 cycle			lbs.	kg
0823-P155-SG608X*	100-110/220-240-50-1 110-115/208-230-60-1	1725	1425	<sup>3</sup> / <sub>4</sub>	0,56	50	22,5
2080-P124-T337†	230/460-60-3	1725	—	2	1,5	135	60,8
3080-P124-T338†	208-230/460-60-3	1725	—	3	2,2	160	72,0
2067-P118-G470X†	115/230-60-1	1725	—	1 1/2	1,1	84	37,8
2067-P118-G471*†	220/380-415-50-3 208-230/460-60-3	1725	1425	1 1 1/2	0,75 1,1	84	37,8
2567-P132-T908X†	115/230-60-1	1725	—	2	1,5	85	38,3
6066-P122A	For 213T or 215T frame motor	1725	—	7 1/2	5,6	88	39,6
6066-P122-T339***†	208-230/460-60-3	1725	—	5	3,7	205	92,3
1290-P110	For 215T frame motor	1725	—	10	7,5	220	99,7
1290-P110A	For 254T frame motor	1725	—	15	11,1	230	104,0

\*For 50 Hz performance, reduce air flow on grid by approximately 17%.

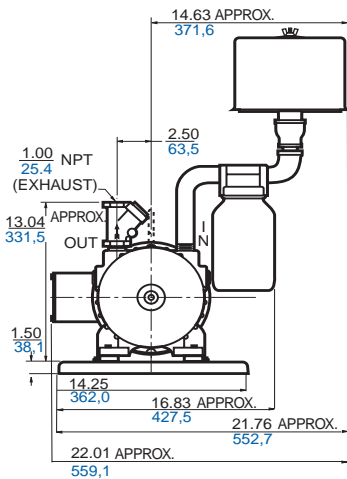
\*\*\*These models are capable of 15 psi max. performance, reference performance grid below.

†Also available as separate drive, less the motor. To order as a separate drive version, specify the first two sets of digits only of this model number. Consult factory or distributor for the correct Nema frame size motor to use. Customer supplied motor must have minimum service factor of 1.15.

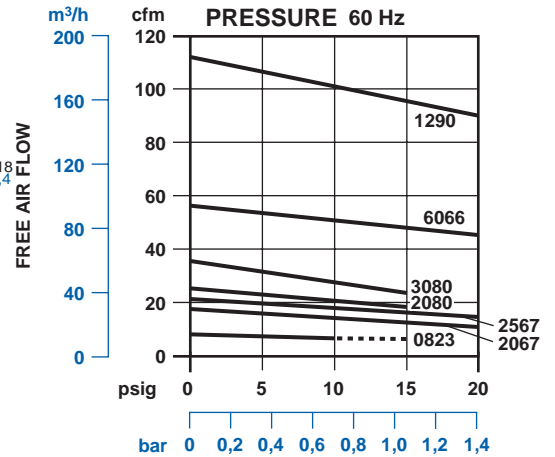
## Product Dimensions (mm, inches)

Dimensions are for reference only.

### Models 6066



## Product Performance (Metric, U.S.)



### Models 1290

