



Enviro-Equipment Inc.
10120 Industrial Drive
Pineville NC 28134

Stock#: 379

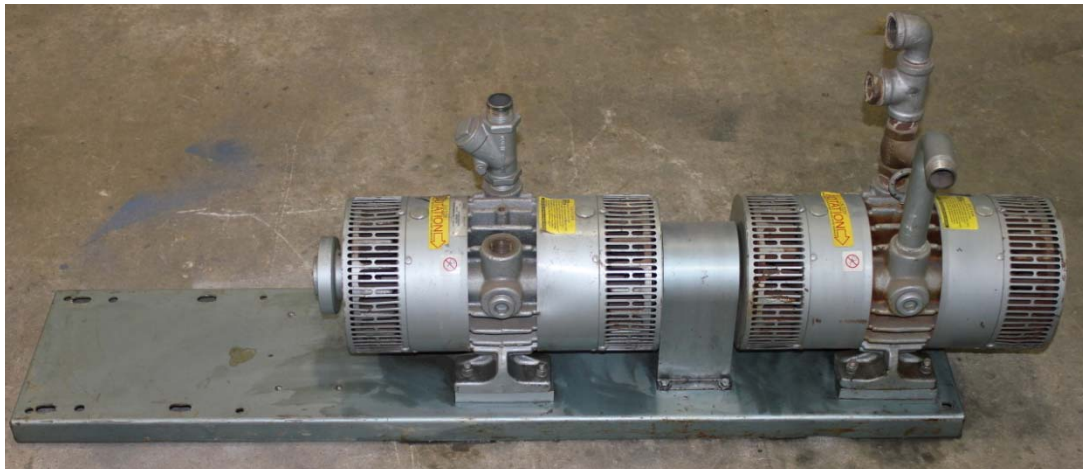
Status: In stock, needs refurbishing, lacks a motor

Dimensions: 53"x13"x21" 238lbs

Description:

Blower

- MFG- GAST
- Model- 1290-P110
- Serial- 9802600735
- Port Size- 1"





Model 0823

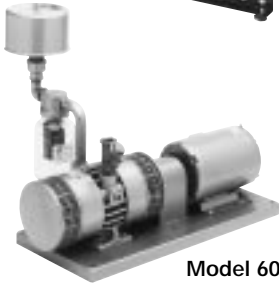
Units are supplied with special, high capacity filtration plus motors that allow up to 30% more pressure than the standard model counterpart.



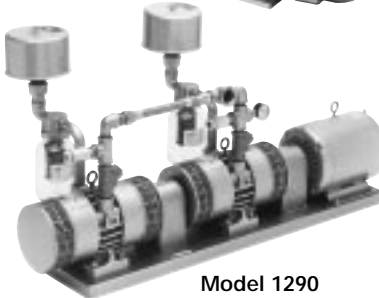
Model 2080/3080



Model 2067/2567



Model 6066



Model 1290

Oiless 0823, 2080/3080, 2067/2567, 6066 and 1290 Series

MODEL 0823

10 PSI MAX. CONTINUOUS PRESSURE
8 CFM OPEN FLOW

MODELS 2080/3080

15 PSI MAX. PRESSURE
25-35 CFM OPEN FLOW

MODELS 2067/2567

20 PSI MAX. PRESSURE
17-21 CFM OPEN FLOW

MODELS 6066

20 PSI MAX. PRESSURE
37-55 CFM OPEN FLOW

MODELS 1290

20 PSI MAX. PRESSURE
112 CFM OPEN FLOW

PRODUCT FEATURES

- Oilless operation
- Rugged construction/low maintenance
- Heavy-duty filters

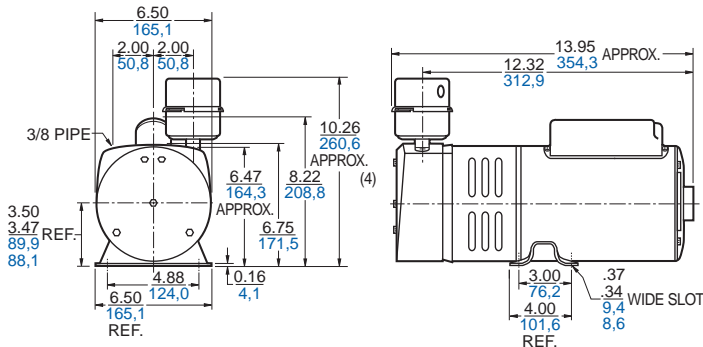
RECOMMENDED ACCESSORIES

- Pressure gauge AA644B
- Relief valves:
AA600 (0823)
AN225 (2080, 3080)
AA307 (2067, 2567, 6066, 1290)
- Repair kits:
K479A (0823)
K546 (2080, 3080)
K585 (filter/muffler kit for 2080)
K584 (filter/muffler kit for 3080)
K357 (2067, 2567)
K503 (6066, 1290 – use 2)

Product Dimensions (mm, inches)

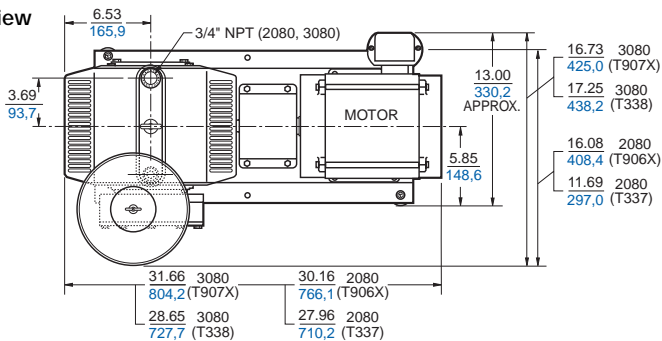
Dimensions are for reference only.

Model 0823

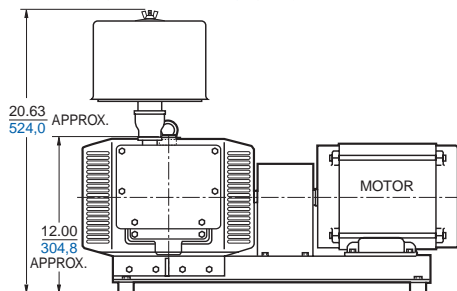


Models 2080/3080

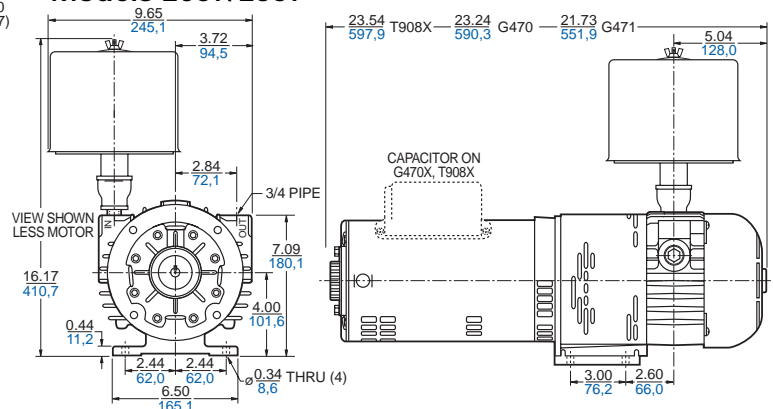
Top View



Side View



Models 2067/2567





Product Specifications

Note: All models are compressors.

Model Number	Motor	RPM		HP	kW	Net Wt.	
		60 cycle	50 cycle			lbs.	kg
0823-P155-SG608X*	100-110/220-240-50-1 110-115/208-230-60-1	1725	1425	³ / ₄	0,56	50	22,5
2080-P124-T337†	230/460-60-3	1725	—	2	1,5	135	60,8
3080-P124-T338†	208-230/460-60-3	1725	—	3	2,2	160	72,0
2067-P118-G470X†	115/230-60-1	1725	—	1 1/2	1,1	84	37,8
2067-P118-G471*†	220/380-415-50-3 208-230/460-60-3	1725	1425	1 1 1/2	0,75 1,1	84	37,8
2567-P132-T908X†	115/230-60-1	1725	—	2	1,5	85	38,3
6066-P122A	For 213T or 215T frame motor	1725	—	7 1/2	5,6	88	39,6
6066-P122-T339***†	208-230/460-60-3	1725	—	5	3,7	205	92,3
1290-P110	For 215T frame motor	1725	—	10	7,5	220	99,7
1290-P110A	For 254T frame motor	1725	—	15	11,1	230	104,0

*For 50 Hz performance, reduce air flow on grid by approximately 17%.

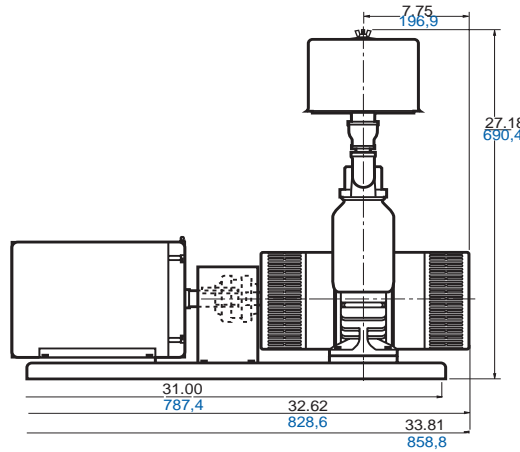
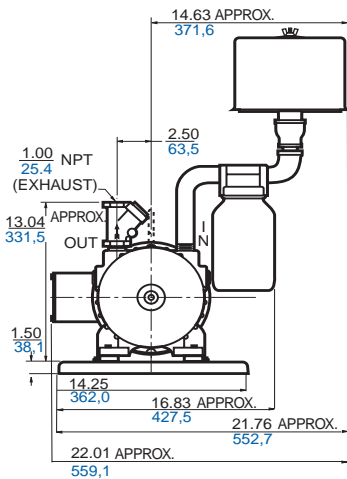
***These models are capable of 15 psi max. performance, reference performance grid below.

†Also available as separate drive, less the motor. To order as a separate drive version, specify the first two sets of digits only of this model number. Consult factory or distributor for the correct Nema frame size motor to use. Customer supplied motor must have minimum service factor of 1.15.

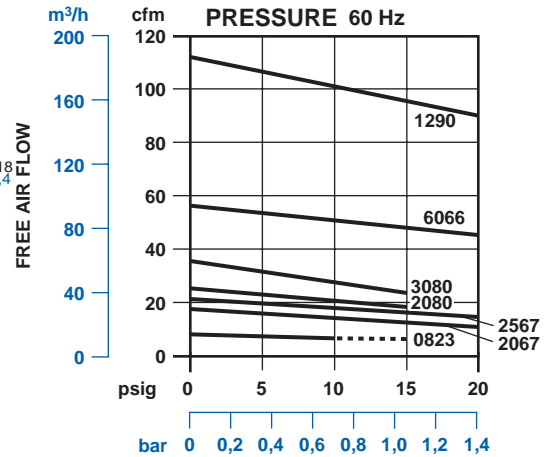
Product Dimensions (mm, inches)

Dimensions are for reference only.

Models 6066



Product Performance (Metric, U.S.)



Models 1290

