



Enviro-Equipment Inc.  
10120 Industrial Drive  
Pineville NC 28134

Stock#: 306

Status: In stock

Dimensions: 24"x18"x21"

Weight: 262 lbs

Description:

**Blower:**

MFG- Ametek

Model- DR858AY72W

Serial- 038738

Port Size- 2"

**Motor:**

MFG- Rotron

Model- 511570

Serial- F1297

Frame- 215TCZ

Class- F

SF- 1.15

AMB- 40C

HP- 4.3/7.5

RPM- 2850/3450

Voltage- 208-230/460

Amps- 24.5-22.2/11.1

Phase- 3

Hz- 60

CODE- M



# ROTRON® Regenerative Blowers

## DR 858 & CP 858 Regenerative Blower

### FEATURES

- Manufactured in the USA – ISO 9001 compliant
- CE compliant – Declaration of Conformity on file
- Maximum flow: 405 SCFM
- Maximum pressure: 110 IWG
- Maximum vacuum: 7.7" Hg (104.8 IWG)
- Standard motor: 10 HP, TEFC
- Cast aluminum blower housing, impeller & cover; cast iron flanges (threaded)
- UL & CSA approved motor with permanently sealed ball bearings
- Inlet & outlet internal muffling
- Quiet operation within OSHA standards

### MOTOR OPTIONS

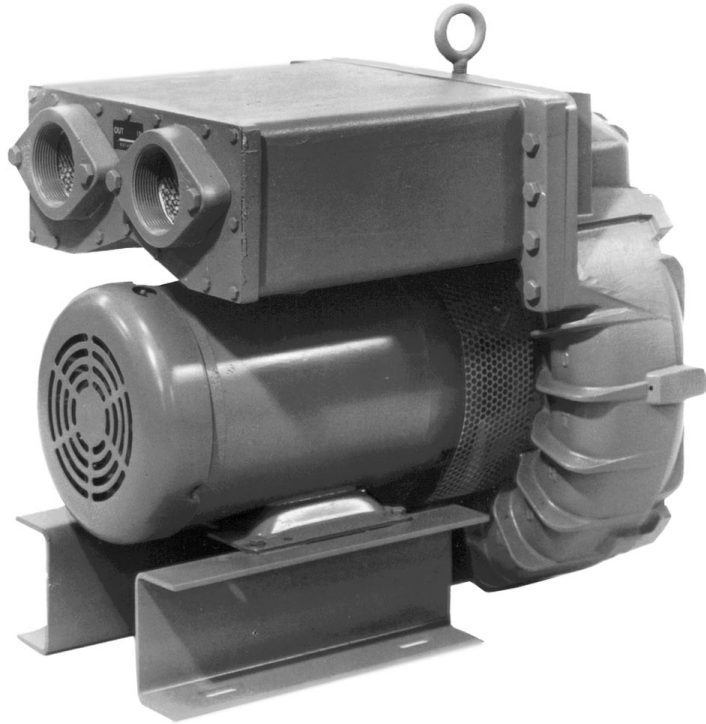
- International voltage & frequency (Hz)
- Chemical duty, high efficiency, inverter duty or industry-specific designs
- Various horsepower for application-specific needs

### BLOWER OPTIONS

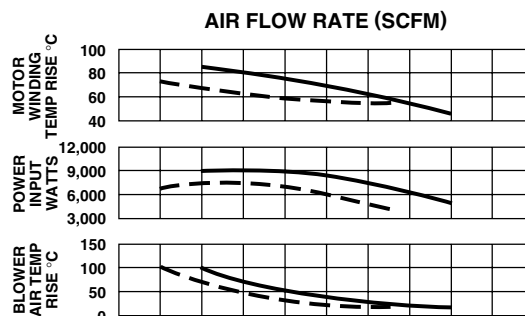
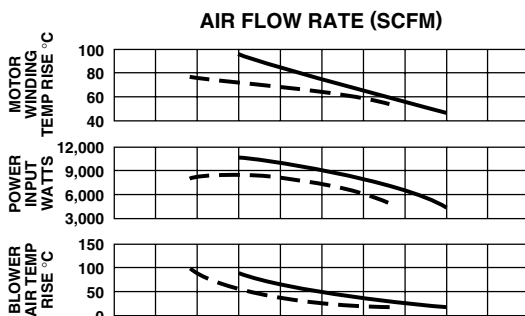
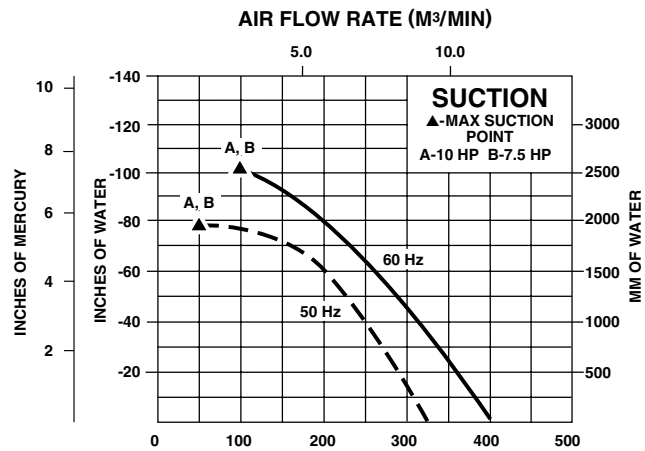
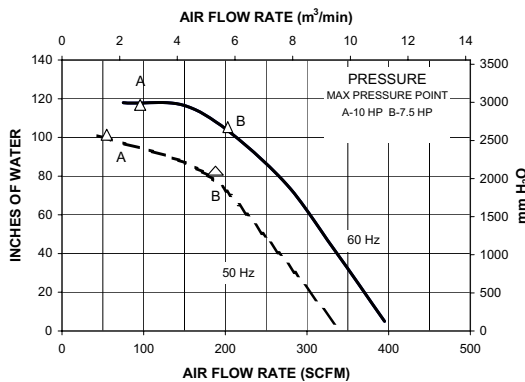
- Corrosion resistant surface treatments & sealing options
- Remote drive (motorless) models
- Slip-on or face flanges for application-specific needs

### ACCESSORIES (See Catalog Accessory Section)

- Flowmeters reading in SCFM
- Filters & moisture separators
- Pressure gauges, vacuum gauges & relief valves
- Switches – air flow, pressure, vacuum or temperature
- External mufflers for additional silencing
- Air knives (used on blow-off applications)
- Variable frequency drive package



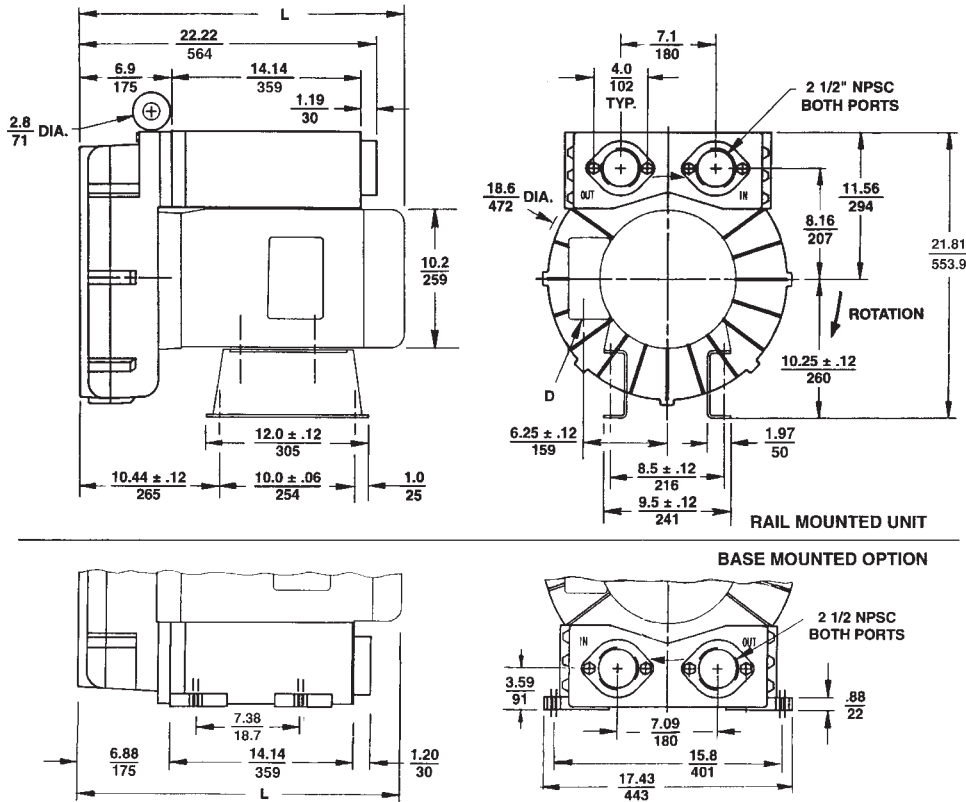
### BLOWER PERFORMANCE AT STANDARD CONDITIONS



Rev. 2/04

# ROTRON® Regenerative Blowers

## DR 858 & CP 858 Regenerative Blower



Scale CAD drawing available upon request.

MODEL	L (IN / MM)	D (IN / MM)
DR858AY72W	23.59 / 599	1.1 / 27
DR858BB72W	23.05 / 585	1.1 / 27
DR858BB86W	23.05 / 585	1.1 / 27
CP858FH72WLR	24.1 / 613	1.1 / 27

DIMENSIONS: IN / MM  
 TOLERANCES: .XX ± .1 / 2.5  
 (UNLESS OTHERWISE NOTED)

### SPECIFICATIONS

MODEL (RAIL MOUNT)	DR858BB72W	DR858BB86W	DR858AY72W	CP858FH72WLR	HiE858BB72W
Part No. (Rail Mount)	038740	038742	038738	038749	038743
Motor Enclosure – Shaft Material	TEFC – CS	TEFC – CS	TEFC – CS	ChemTEFC – SS	TEFC – CS
Horsepower	10	10	7.5	Same as DR858BB72W – 038740 except add Chemical Processing (CP) features from catalog inside front cover	Same as DR858BB72W – 038740 except add High Efficiency motor
Voltage <sup>1</sup>	230/460	575	230/460		
Phase – Frequency <sup>1</sup>	Three - 60 Hz	Three - 60 Hz	Three - 60 Hz		
Insulation Class <sup>2</sup>	F	F	F		
NEMA Rated Motor Amps	26/13	10.5	22.1/11.1		
Service Factor	1.15	1.15	1.15		
Locked Rotor Amps	162/81	65	120/60		
Max. Blower Amps <sup>3</sup>	28/14	11.0	26/13		
Recommended NEMA Starter Size	2/1	1	1/1		
Shipping Weight	300 lb (136 kg)	300 lb (136 kg)	264 lb (120 kg)		
Model (Base Mount)	DR858BB72X	DR858BB86X	DR858AY72X		
Part No. (Base Mount)	038735	038737	038736		

<sup>1</sup> Rotron motors are designed to handle a broad range of world voltages and power supply variations. Our dual voltage 3 phase motors are factory tested and certified to operate on both: **208-230/415-460 VAC-3 ph-60 Hz** and **190-208/380-415 VAC-3 ph-50 Hz**. Our dual voltage 1 phase motors are factory tested and certified to operate on both: **104-115/208-230 VAC-1 ph-60 Hz** and **100-110/200-220 VAC-1 ph-50 Hz**. All voltages above can handle a ±10% voltage fluctuation. Special wound motors can be ordered for voltages outside our certified range.

<sup>2</sup> Maximum operating temperature: Motor winding temperature (winding rise plus ambient) should not exceed 140°C for Class F rated motors or 120°C for Class B rated motors. Blower outlet air temperature should not exceed 140°C (air temperature rise plus inlet temperature). Performance curve maximum pressure and suction points are based on a 40°C inlet and ambient temperature. Consult factory for inlet or ambient temperatures above 40°C.

<sup>3</sup> Maximum blower amps corresponds to the performance point at which the motor or blower temperature rise with a 40°C inlet and/or ambient temperature reaches the maximum operating temperature.

Specifications subject to change without notice. Please consult your Local Field Sales Engineer for specification updates.

Rev. 2/04