



Enviro-Equipment Inc.
10120 Industrial Drive
Pineville NC 28134

Stock#: 274

Status: In Stock, Tested

Dimensions: 23x17x15, 236 lbs

Description:

- MFG: Baldor
- Serial#: F0403036234
- CAT#: M4106T
- Frame: 256T
- Class: F
- SF: 1.15
- Ambient: 40C
- HP: 20
- RPM: 3450
- Voltage: 208-230 / 460
- Amp: 47-46 / 23
- Phase: 3
- Hz: 60
- Code: K





BALDOR® • *RELIANCE*

Product Information Packet

M4106T

20HP,3450RPM,3PH,60HZ,256T,0750M,TEFC,F1

Product Detail									
Revision:	K	Status:	PRD/A	Change #:		Proprietary:	No		
Type:	AC	Prod Type:	0750M	Elec. Spec:	07WGX144	CD Diagram:	CD0005		
Enclosure	TEFC	Mfg Plant:		Mech Spec:	07H281	Layout:	07LYH281		
Frame:	256T	Mounting:	F1	Poles:	02	Created Date:			
Base:	RG	Rotation:	R	Insulation:	F	Eff. Date:	04-15-2008		
Leads:	9#12	Literature:		Elec. Diagram:		Replaced By:			
Nameplate NP1256L									
CAT.NO.	M4106T								
SPEC.	07H281X144H1								
HP	20								
VOLTS	208-230/460								
AMP	47-46/23								
RPM	3450								
FRAME	256T	HZ			60	PH	3		
SER.F.	1.15	CODE			K	DES	A	CLASS	F
NEMA-NOM-EFF	90.2	PF			90				
RATING	40C AMB-CONT								
CC	010A	USABLE AT 208V			47				
DE	6309	ODE			6307				
ENCL	TEFC	SN							

Parts List			
Product ID	Description	Quantity	List Price
SA068709	SA 07H281X144H1	1.000	1,093.00
RA062684	RA 07H281X144H1	1.000	658.00
36FN3000C02		1.000	15.00
S/P101-000-000	EPACT PROCEDURES-FS PLANT-POLYREX EM, NO	1.000	
HW3201A01	1/2-13 EYEBOLT	1.000	15.00
09CB3002SP	CB W/1.38 LEAD HOLE FOR 37, 39, 307 & 30	1.000	21.00
09GS1000SP	GASKET-CONDUIT BOX, 1/16 THICK LEXIDE	1.000	3.00
51XW2520A12	.25-20 X .75, TAPTITE II, HEX WSHR SLTD	2.000	2.00
WD1000B17	KPA-8C BURNDY TERMINAL	1.000	3.00
51XW1032A06	10-32 X .38, TAPTITE II, HEX WSHR SLTD S	1.000	3.00
37EP1101A03	FR/PU ENDPLATE, MACH	1.000	127.00
HW4500A01	1641B(ALEMITE)400 UNIV, GREASE FITT	1.000	2.00
HW5100A08	W3118-035 WVY WSHR (WB)	1.000	2.00
07EP1116A01	ENDPLATE, MACH	1.000	118.00
HW4500A01	1641B(ALEMITE)400 UNIV, GREASE FITT	1.000	2.00
XY3118A12	5/16-18 HEX NUT DIRECTIONAL SERRATION	4.000	2.00
51XB1214A20	12-14X1.25 HXWSSLD SERTYB	1.000	2.00
07FH4007SP	IEC FH W/GRSR, NOTCH @ 6:00 & 3 FAN CVR	1.000	39.00
51XW1032A06	10-32 X .38, TAPTITE II, HEX WSHR SLTD S	3.000	3.00
09CB3501SP	CONDUIT BOX LID FOR 09CB3001 & 09CB3002	1.000	18.00
09GS1013SP	09 GS FOR 09CB3501 LID - LEXIDE	1.000	2.00
51XW2520A12	.25-20 X .75, TAPTITE II, HEX WSHR SLTD	2.000	2.00
HW2501G25	KEY, 3/8 SQ X 2.875	1.000	5.00
HA7000A03	KEY RETAINER RING 1.62 & 1.88 DIA. SH	1.000	2.00

Parts List (continued)			
Product ID	Description	Quantity	List Price
85XU0407A04	#4-7 X 1/4 DRIVE PIN	2.000	2.00
MJ1000A02	GREASE, POLYREX EM EXXON	0.050	10.00
HA3104A42	THRUBOLT, .31-18 X 16.375	4.000	3.00
MG1000G27	PAINT- S9282E CHARCOAL GREY	0.036	4,000.00
LB1115	LABEL,LIFTING DEVICE (ON ROLLS0	1.000	2.00
LB1125C04	STD-E (STOCK CTN LABEL STD-E WITH FLAG)	1.000	2.00
LC0005E01	CONN.DIA./WARNING LABEL (LC0005/LB1119)	1.000	2.00
NP1256L	NP STD LASER ENGRAVED, UL CSA CC, W/O TH	1.000	3.00
07PA1011	PKG GRP, 07 CAST IRON TDR#75174	1.000	71.00

Performance Data at 460V, 60Hz, 20.0HP (Typical performance - Not guaranteed values)
General Characteristics

Full Load Torque:	30.0 LB-FT	Start Configuration:	DOL
No-Load Current:	6.2 Amps	Break-Down Torque:	135.0 LB-FT
Line-line Res. @ 25°C.:	0.42 Ohms A Ph / 0.0 Ohms B Ph	Pull-Up Torque:	71.0 LB-FT
Temp. Rise @ Rated Load:	66°C	Locked-Rotor Torque:	94.0 LB-FT
Temp. Rise @ S.F. Load:	80°C	Starting Current:	206.0 Amps

Load Characteristics

% of Rated Load:	25	50	75	100	125	150	S.F.
Power Factor:	65.0	81.0	87.0	90.0	91.0	91.0	0.0
Efficiency:	85.4	90.0	90.7	90.3	89.4	88.0	0.0
Speed:	3571.0	3544.0	3515.0	3485.0	3453.0	3416.0	0.0
Line Amperes:	8.5	12.7	17.7	23.0	28.5	34.7	26.3

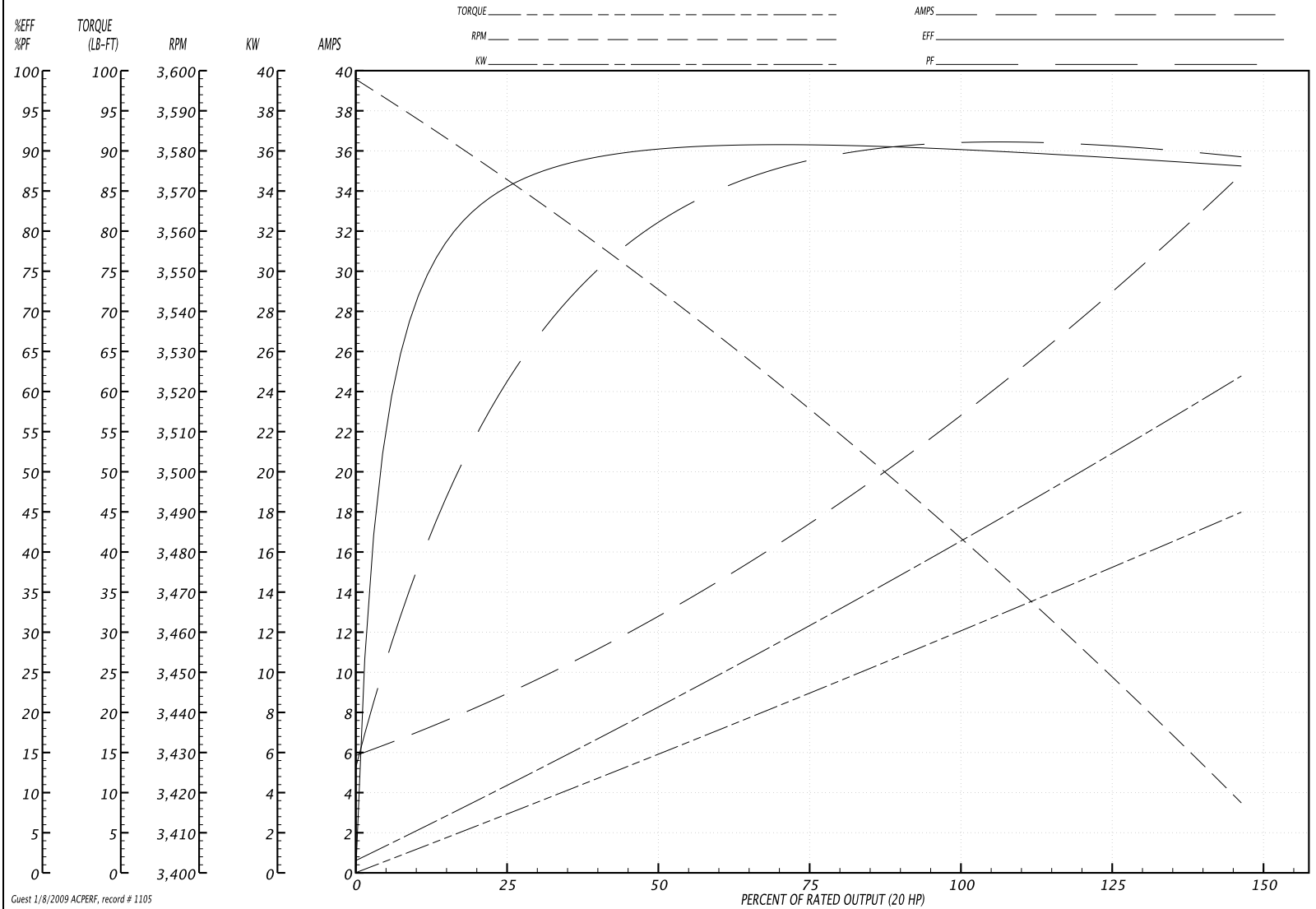
Performance Graph at 460V, 60Hz, 20.0HP (Typical performance - Not guaranteed values)

BALDOR ELECTRIC COMPANY

WINDING # 07WGX144

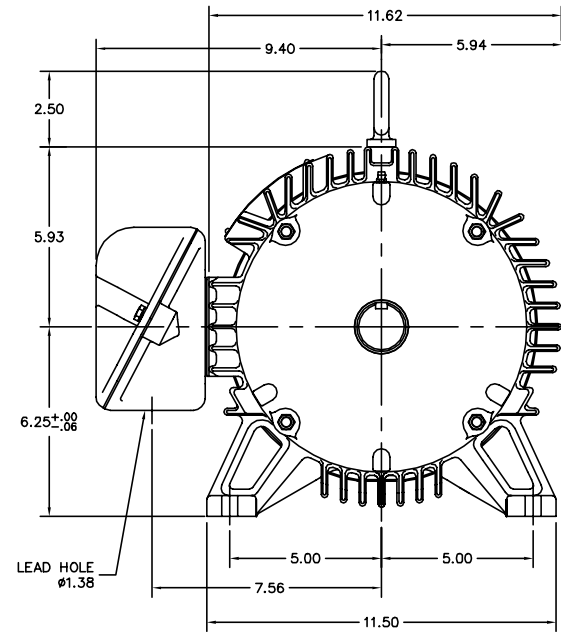
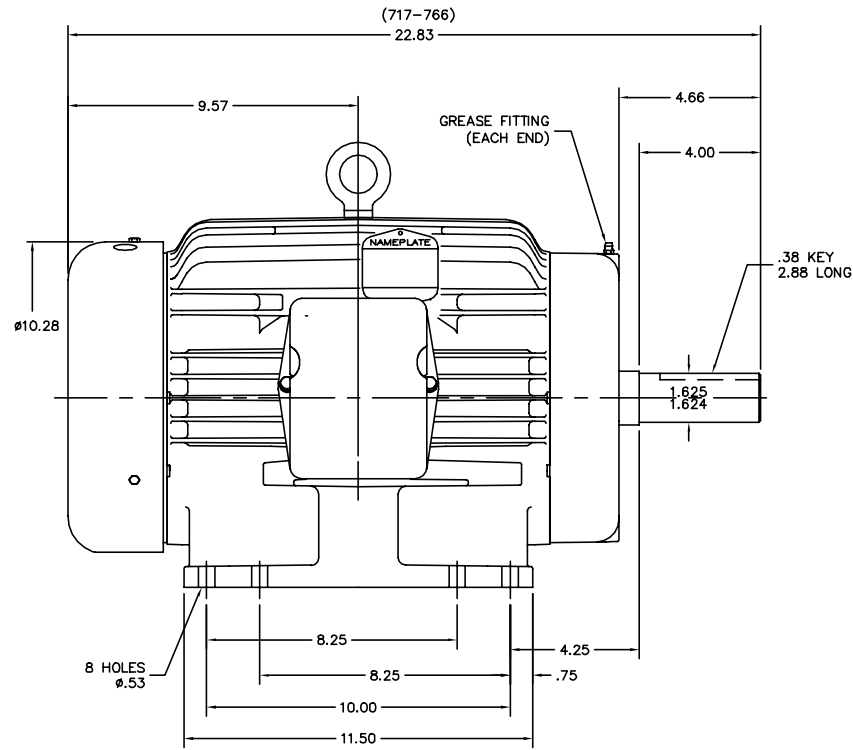
Typical performance - not guaranteed values.

20 HP 3 PH 60 HZ 3450 RPM 460 V 0750M
 TORQUES(LB-FT): PO=135 PU=71 LR=94 LRA=206



Guest 1/8/2009 ACPERF, record # 1105

07LYH281



CUSTOMER IS RESPONSIBLE FOR DETERMINING THAT MOTOR PERFORMANCE IS SUITABLE IN THE APPLICATION.

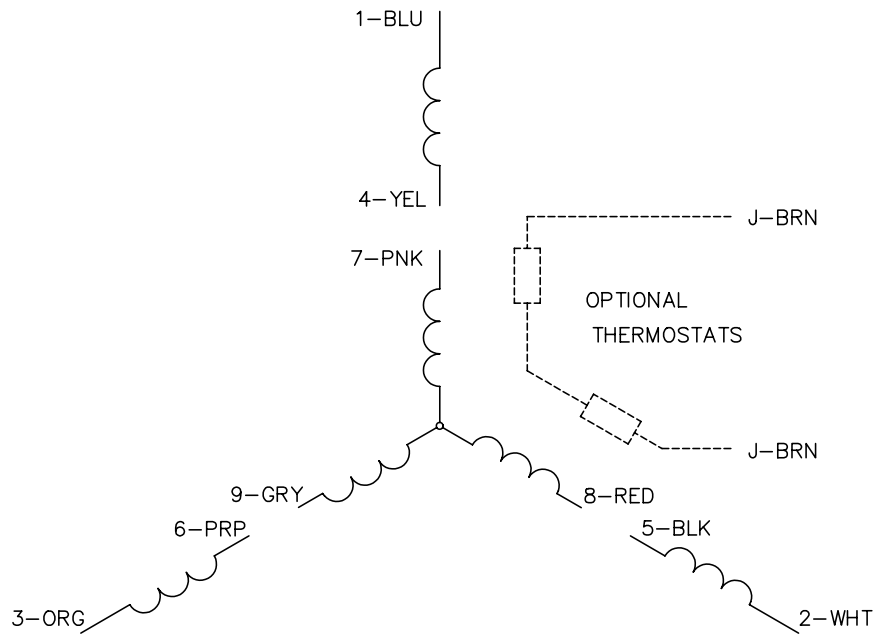
REV. DESC:	ADDED KOBX LEAD HOLE DIM
REV. LTR:	F BY: RMP REVISED: 14:54:09 09/09/2004 TDR: 342838
FILE:	AAA00006699 REF: 07LYH281
MTL:	-

BALDOR ELECTRIC Co.

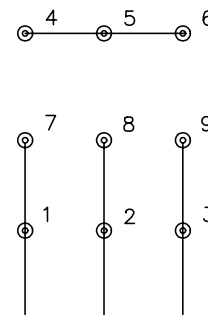
HORZ 254-6T TEFC 307M

07LYH281

CD0005

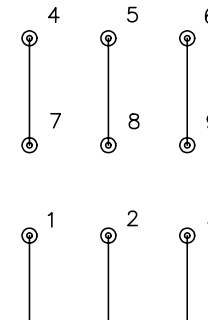


LOW VOLTAGE
(2Y)



LINE

HIGH VOLTAGE
(1Y)



LINE

NOTES:

1. INTERCHANGE ANY TWO LINE LEADS TO REVERSE ROTATION.
2. OPTIONAL THERMOSTATS ARE PROVIDED WHEN SPECIFIED.
3. ACTUAL NUMBER OF INTERNAL PARALLEL CIRCUITS MAY BE A MULTIPLE OF THOSE SHOWN ABOVE.
4. LEAD COLORS ARE OPTIONAL. LEADS MUST ALWAYS BE NUMBERED AS SHOWN.

REV. DESC: REVISE TO SHOW OPTIONAL COLORS			
REV. LTR: E	BY: JLP	REVISED: 01/19/99 10:15	TDR: 0171435
900000		FILE: AAA00005140	MDL: -
		MTL: -	

BALDOR ELECTRIC Co.

3PH, DV, 9 LEADS

CD0005