



Enviro-Equipment Inc.
10120 Industrial Drive
Pineville NC 28134

Stock#:143

Status: In stock

Dimensions: 17"x7"x11.5"

Weight: 46 lbs

Description:

XP Motor for Centrifugal Transfer Pump

Motor:

MFG-Baldor
Model- F AB292055
Serial-35E371-674
CAT#- VL5006A
Frame-56C
Class-
SF-1.00
AMB-40C
HP-3/4
RPM-3450
Voltage-115/230
AMP-9.8/4.9
Phase-1
Hz-60
DUTY-Continuous
CODE-K



BALDOR® • **RELIANCE**

Product Information Packet

VL5006A

.75HP,3450RPM,1PH,60HZ,56C,X3516L,XPFC

Part Detail							
Revision:	AY	Status:	PRD/A	Change #:		Proprietary:	No
Type:	AC	Prod. Type:	3516L	Elec. Spec:	35WG0764	CD Diagram:	CD0008
Enclosure:	XPFC	Mfg Plant:		Mech. Spec:	35E371	Layout:	35LYE371
Frame:	56C	Mounting:	F1	Poles:	02	Created Date:	06-27-2007
Base:	N	Rotation:	R	Insulation:	B	Eff. Date:	07-23-2015
Leads:	6#18,1#14 #4TH					Replaced By:	
Literature:		Elec. Diagram:					

Nameplate NP0016XPSL					
NO.		CC			
SER.					
SPEC.	35E371-764				
CAT.NO.	VL5006A				
HP	.75	T. CODE	T4		
VOLTS	115/230				
AMPS	9.8/4.9				
RPM	3450				
HZ	60	PH	1	CL	B
SER.F.	1.00	DES	N	CODE	K
RATING	40C AMB-CONT				
FRAME	56C	NEMA-NOM-EFF	62		
USABLE AT 208V		PF	75		
BLANK					

Parts List		
Part Number	Description	Quantity
SA024059	SA 35E371-764	1.000 EA
RA020109	RA 35E371-764	1.000 EA
TPMRJ30AV	THERMAL 1PH .75 AUT 105CSTOCK FOR WESTVI	1.000 EA
EC1189A02SP	61B2D120189NNBA ELEC CAP, 189-227MFD, 12	1.000 EA
EC1270A02SP	ELEC CAP, 270-324 MFD, 125V, 1.48D X 3.	1.000 EA
35CB3001A01SP	EXPL CONDUIT BOX, MACH, 1/2" PIPE TAP LE	1.000 EA
11XW1032G06	10-32 X .38, TAPTITE II, HEX WSHR SLTD U	1.000 EA
HW3001B01	003SS CUP WASHER, FOR #8 SCREW	1.000 EA
35EP3700A01SP	FR ENDPLATE, XPFC	1.000 EA
HW5100A03SP	WAVY WASHER (W1543-017)	1.000 EA
35EP3702A01SP	PU EP-205 BRG-35X-56C-143-5TC	1.000 EA
51XN1032A20	10-32 X 1 1/4 HX WS SL SR	2.000 EA
HA3013A01	1/2-20X5/8 SPL.HX BOLT	2.000 EA
HW3021C06	3/32 DI X .625 PIN (F/S)	2.000 EA
XY3118A12	5/16-18 HEX NUT DIRECTIONAL SERRATION	4.000 EA
51XB1214A16	12-14X1.00 HXWSSLD SERTYB	1.000 EA
35FH4005A01SP	IEC FH NO GREASER W/AUTOPHORETIC PRIMER	1.000 EA
51XW1032A06	10-32 X .38, TAPTITE II, HEX WSHR SLTD S	3.000 EA
35CB3500A01SP	CONDUIT BOX LID, MACH	1.000 EA
51XN2520A16	SCREW, HEX WS SLT, ZN, 1/4-20 X 1.00	4.000 EA
HW2501D13SP	KEY, 3/16 SQ X 1.375	1.000 EA
HA7000A04	KEY RETAINER 0.625 DIA SHAFTS	1.000 EA
85XU0407S04	4X1/4 U DRIVE PIN STAINLESS	6.000 EA
NP0018	NP- XP CONDUIT BOX	1.000 EA

Parts List (continued)		
Part Number	Description	Quantity
51XW0832A07	8-32 X .44, TAPTITE II, HEX WSHR SLTD SE	2.000 EA
MJ1000A75	GREASE, POLYREX EM EXXON (USe 4824-15A)	0.050 LB
34FN3002A01SP	EXTERNAL FAN, PLASTIC, .637/.639 HUB W/	1.000 EA
HA6003A52	CLAMP, CAPACITOR, WHITE ZINC PLATED	2.000 EA
51XW0832A07	8-32 X .44, TAPTITE II, HEX WSHR SLTD SE	2.000 EA
MG1025Z20	ACTIVATOR WILKOFAS 060.32	0.010 GA
MG1025G29	MUNSELL 4.5Y 5.3/0.7 DARK CHARCOAL GREY	0.017 GA
SP5051A64	MODEL 35 TORQ STATIONARY SWITCH FOR XP	1.000 EA
NS2500A06	INSULATOR,AUTO THER PROT,W/PSA ON 1 SIDE	1.000 EA
HA6001A01	THERMAL RETAINER (PLATED)	1.000 EA
12XF0632A06	6-32X3/8 TY F HEX HD SLT	2.000 EA
HA3104A06	THRUBOLT 5/16-18 X 8.50 OHIO ROD	4.000 EA
LB1118	LABEL,WARNING (ROLL LABEL)	1.000 EA
LC0008	CONNECTION LABEL	1.000 EA
NP0016XPSL	SS XP UL CSA CC CL-I GP-D CL-II GP-F&G	1.000 EA
36PA1000	PKG GRP, PRINT PK1016A06	1.000 EA
PK3082	STYROFOAM CRADLE	1.000 EA
MN416A01	TAG-INSTAL-MAINT no wire (1200/bx) 11/14	1.000 EA

AC Induction Motor Performance Data

Record # 20951 - Typical performance - not guaranteed values

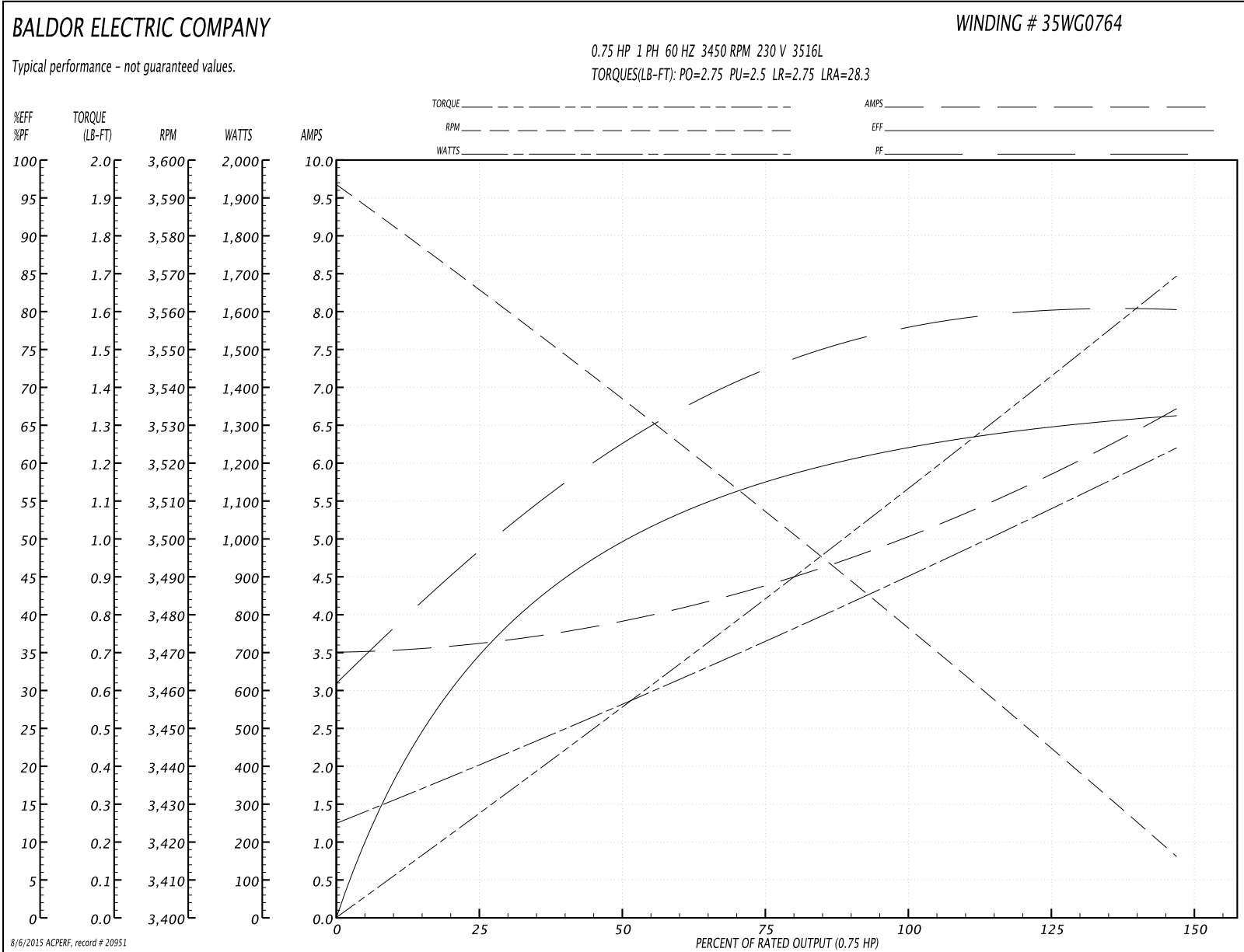
Winding: 35WG0764-R002	Type: 3516L	Enclosure: XPFC
-------------------------------	--------------------	------------------------

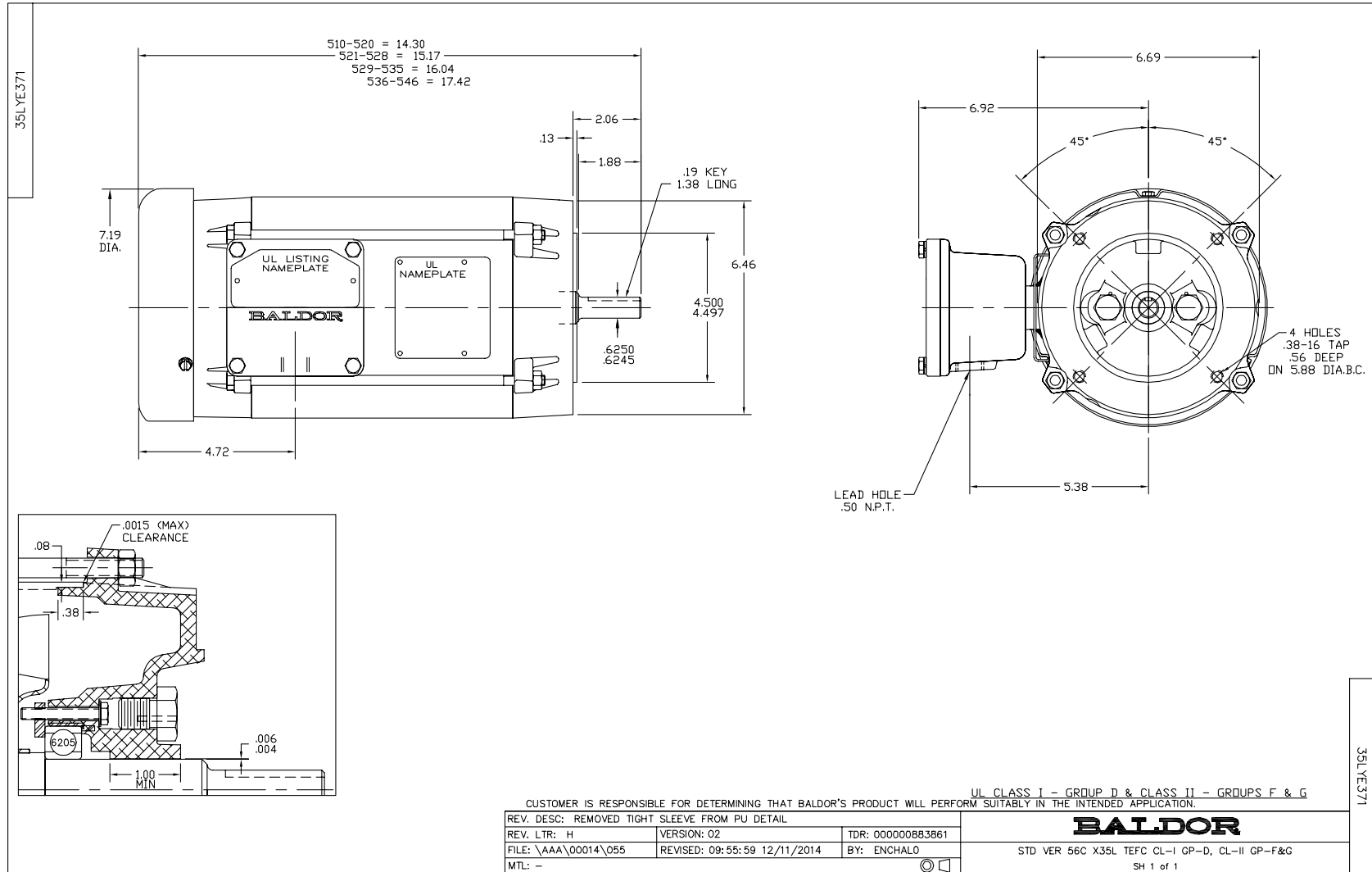
Nameplate Data				230 V, 60 Hz: High Voltage Connection	
Rated Output (HP)	.75			Full Load Torque	1.13 LB-FT
Volts	115/230			Start Configuration	direct on line
Full Load Amps	9.8/4.9			Breakdown Torque	2.75 LB-FT
R.P.M.	3450			Pull-up Torque	2.5 LB-FT
Hz	60	Phase	1	Locked-rotor Torque	2.75 LB-FT
NEMA Design Code	N	KVA Code	K	Starting Current	28.3 A
Service Factor (S.F.)	1			No-load Current	3.5 A
NEMA Nom. Eff.	62	Power Factor	75	Line-line Res. @ 25°C	3.29 Ω A Ph 2.47 Ω B Ph
Rating - Duty	40C AMB-CONT			Temp. Rise @ Rated Load	

Load Characteristics 230 V, 60 Hz, 0.75 HP

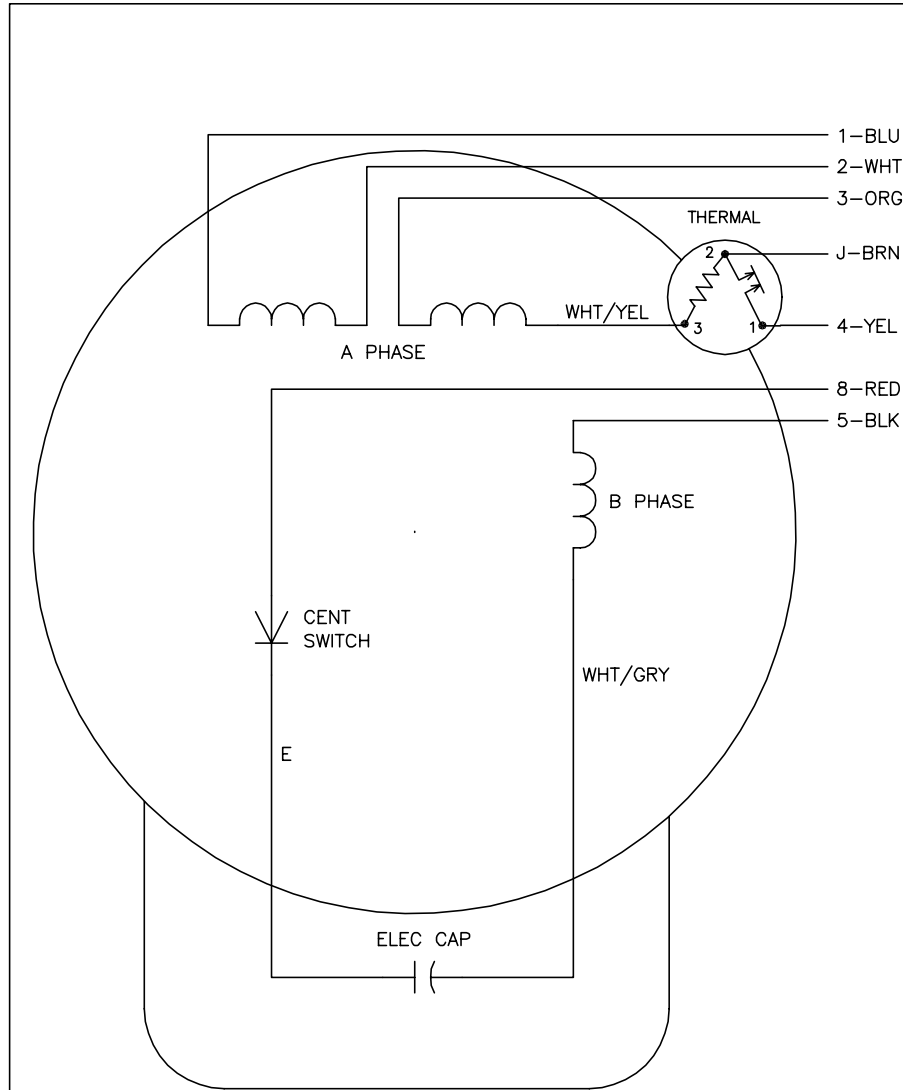
% of Rated Load	25	50	75	100	125	150
Power Factor	45	60	70	75	80	85
Efficiency	34	50	58	62	65	66
Speed	3559	3533	3510	3480	3447	3414
Line amperes	3.6	4	4.4	4.9	5.9	6.7

Performance Graph at 230V, 60Hz, 0.75HP Typical performance - Not guaranteed values





CD0008



	LINE A	LINE B	JOIN	JOIN
HIGH STD	1	4	2,3,8	J,5
HIGH OPP	1	4	2,3,5	J,8
LOW STD	1,3,8	4	-	2,J,5
LOW OPP	1,3,5	4	-	2,J,8

NOTES:

1. STANDARD ROTATION IS CCW FACING END OPPOSITE SHAFT EXTENSION.
2. MULTIPLE CAPACITORS ARE CONNECTED IN PARALLEL UNLESS OTHERWISE SPECIFIED.
3. LEAD COLORS ARE OPTIONAL. LEADS MUST ALWAYS BE NUMBERED AS SHOWN.

REV. DESC: REMOVE 2-TERMINAL THERMAL DETAIL, SEE CD0008A02		
REV. LTR: F	VERSION: 01	TDR: 000000360649
80000	FILE: \AAA\00007\408	REVISED: 10:56:54 04/18/2005
	MTL: -	BY: ENJOEPO

BALDOR ELECTRIC Co.

TYPE L, DV, REV, THERMAL, 7 LEADS

CD0008