



Enviro-Equipment Inc.
10120 Industrial Drive
Pineville NC 28134

Serial #: EEI-1243

Status: In Stock, Tested and Ready to Go!

Dimensions: See below

Description: Carbon Air Stat 80 Stainless Steel 5 Tray Air Stripper Unit
Rotron DR858BB72W 10HP 3PH TEFC Regenerative Blower
Goulds 2ST1H5B4 Effluent Transfer Pump with 3HP TEFC Motor – 100GPM @ 70' TDH
Clear PVC Sight Glass with 3 Level Float Tree for Transfer Pump Automatic Operation
208V 3PH Nema 4 Control Panel with 20' Power Cable
Wired/Plumbed/Mounted to Steel Skid

STANDARD MFG SPECS – THIS UNIT MAY VARY SOME:

Model	STAT 80
Liquid Flow Range (gpm)	5 - 80
Minimum Airflow (cfm)	300
Maximum Airflow (cfm)	350
Blower HP ²	5, 7.5, 10
Tray Dimensions (LxWxH, in)	48x24x10
Assembly Height (Approx.) ³	7'-10 1/4"
Optional Skid Footprint (LxWxH, in)	66x60x6
Empty Tray Weight, Each (lb)	65
Assembly Weight (lb) ⁴	1000
Assembly Operating Weight (lb) ⁴	2230
Sump Holding Capacity (gal)	60
Influent Connection (NPS) ⁵	3"
Effluent Connection (NPS) ⁵	3"
Off-Gas Discharge OD	8 1/2"



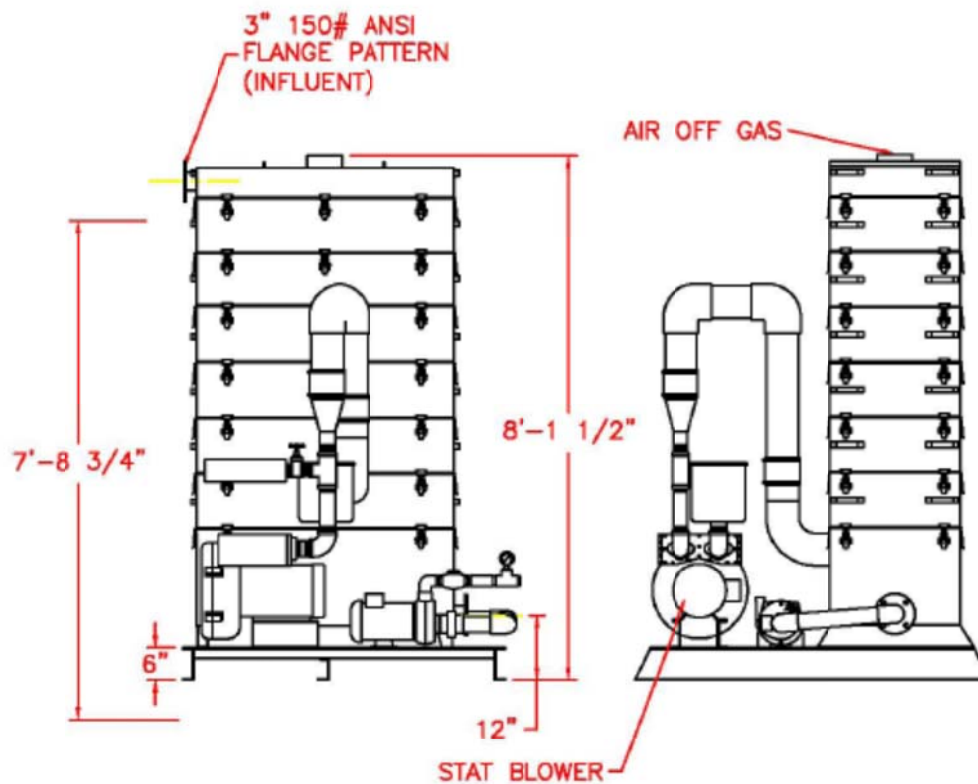
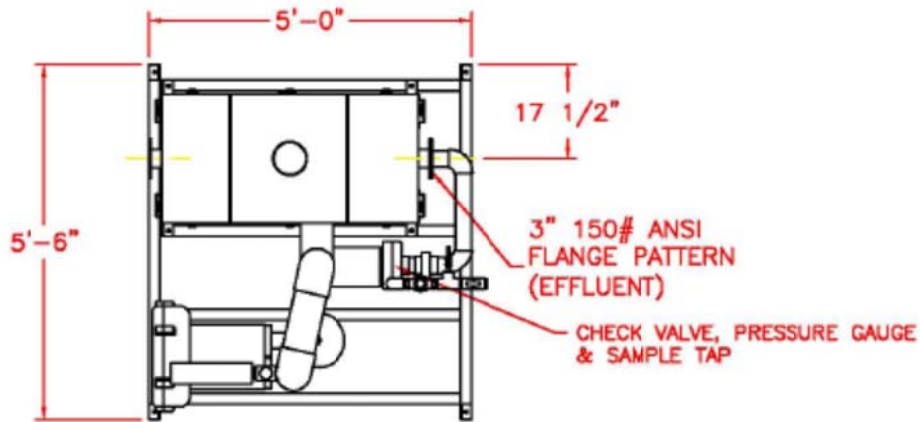
Enviro-Equipment Inc.
10120 Industrial Drive
Pineville NC 28134





Enviro-Equipment Inc.
10120 Industrial Drive
Pineville NC 28134

STAT 80
W/PUMP DOWN



NOTE: Adjust overall height by 10 1/4" for each aeration tray added or deleted.
Influent flange on the same side as effluent with odd number of trays.