

## Flowmeter



The 700 Series Flex-Flo™ meter is a simple and rugged flow rate indicator for air, water and other transparent fluids. It is particularly well adapted for applications that fall within standardized flow ranges at moderate pressures and temperatures. The 700 Series features a rugged cast aluminum housing with metal threaded connections, a full air tempered glass window and the ability to install the meter in horizontal (left to right) and vertical (up or down) flow orientations - all at an economical cost.

The unique wedge shape of the housing enhances the self-cleaning capabilities of the meter which has large internal cavities that resist accumulations of foreign material. Unlike other variable area tube and float designs, the Flex-Flo™ may be installed in a horizontal piping system or even in down flow applications.

### Features

- Instantaneous flow rate measurement
- Observe fluid conditions for color, clarity and flow.
- Use in horizontal (left to right flow) or vertical (up or down flow) piping systems.
- Available all aluminum construction is not susceptible to deterioration from UV exposure in outdoor applications.
- Design resists particulate and scale.
- Low pressure loss.
- Rugged cast aluminum construction at pricing competitive with plastic “rotameters”.

### Principle of Operation

Flex-Flo™ meters are variable area flow rate meters (“rotameter”). The internal volume of the housing enlarges from the inlet to the outlet. The primary element is a tempered alloy vane with one end affixed to the apex of the meter housing. As the flow rate changes the vane flexes in direct proportion. As the operation of the primary sensor is not

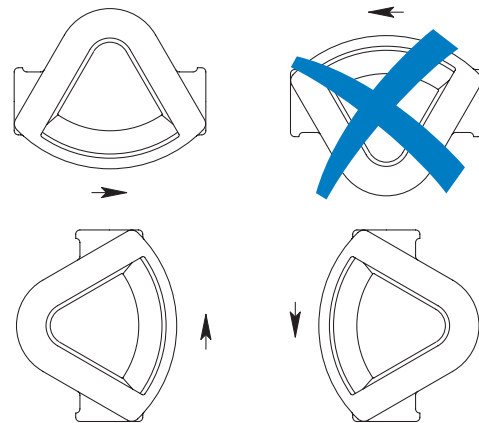


dependant upon gravity, the Flex-Flo™ 700 Series may be used in horizontal (left to right flow) as well as vertical (up or down flow) piping systems.

### Applications

- Air
- Water
- Other compatible fluids
- Environmental remediation
- Process monitoring
- OEM systems

### Mounting Positions



### Specifications

#### Materials of Construction:

Body/Housing:	Aluminum
Window:	Tempered Glass
Vane:	17-7ph Stainless steel
O-ring:	EPM

#### Flow Orientation:

Horizontal, Left to Right  
Vertical, Up

#### Pressure Limit:

114.7psia/7.9 bar a  
(100psig/6.9 bar g)

#### Temperature Limit:

212°F (100°C)

#### Repeatability:

± 1% of Full Scale

#### Accuracy:

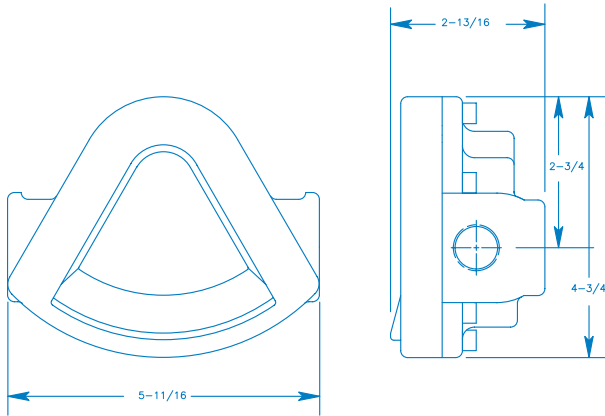
± 5% of Full Scale  
@68°F and 14.7 psia  
(0 psig)

#### Process Connections:

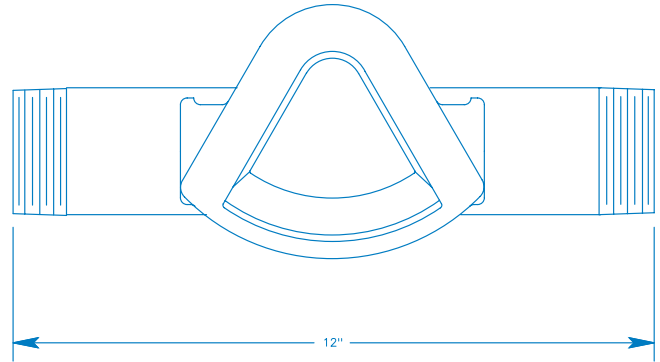
1/2"	NPT
3/4"	NPT
1"	NPT
1 1/2"	NPT
2"	NPT
3"	NPT
4"	NPT

## Flowmeter

### 1/2" to 1" connections



### 1 1/2" to 4" connections



### Flow Ranges by Connection Size:

1/2" NPT	3/4" NPT	1" NPT	1 1/2" NPT	2" NPT	3" NPT	4" NPT
0.5-5	1-10	2-20	3-30	5-50	10-100	50-500
1-10	3-30	3-30	10-100	15-150	30-300	70-700
		5-50	20-200	25-250	50-500	100-1000

## Model Number System

The example 711-08T150S describes a 700 Series Flex-Flo™ meter with an aluminum housing, glass window, with a 15-150 SCFM Air flow range. Connections are 2" NPT.

<b>7</b> Series	<b>1</b> Housing Material	<b>1</b> Window Material	<b>08</b> Size	<b>T</b> Type	<b>150</b> Range	<b>S</b> Units
7-700	1-Aluminum	1-Tempered Glass	02-1/2" 03-3/4" 04-1" 06-1 1/2" 08-2" 12-3" 16-4"	T- NPT	005..... 0.5-5 010..... 1-10 020..... 2-20 030..... 3-30 050..... 5-50 100..... 10-100 150..... 15-150 200..... 20-200 250..... 25-250 300..... 30-300 500..... 50-500 700..... 70-700 1000.... 100-1000	G- GPM Water @ 68°F  S- SCFM Air @ 68°F & 14.7 psia (0 psig)