

S/N: EEI 1089

Date: 6/30/2008

Status: In Stock: Air Stripper Only

Description: Shallow Tray 2331P Poly Air Stripper

Flow rate- 1 to 50 GPM

CFM- 300

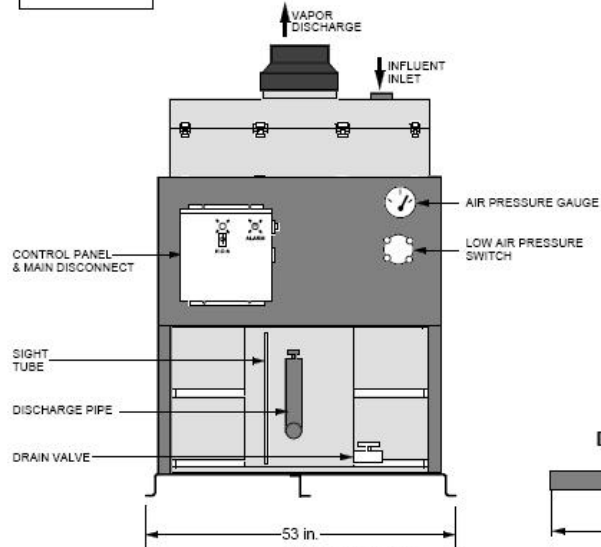
Number of trays: 3



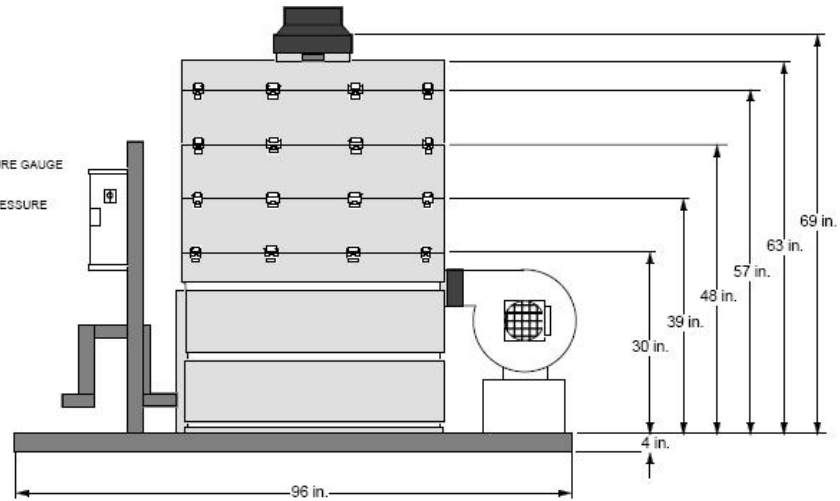
MINIMUM CLEARANCE

FRONT	1.5 ft.
TOP	12 in.
REAR	1.5 ft.
LEFT	2 ft.
RIGHT	2 ft.

FRONT



RIGHT SIDE



BASIC SYSTEM

- SUMP TANK
- STRIPPER TRAYS
- BLOWER
- MIST ELIMINATOR
- PIPING
- SPRAY NOZZLE
- WATER LEVEL SIGHT TUBE
- GASKETS
- LATCHES

OPTIONAL ITEMS

- SKID & STANCHION
- AIR PRESSURE GAUGE
- GRAVITY DISCHARGE PIPING
- DISCHARGE PUMP
- FEED PUMP
- ADDITIONAL BLOWER
- EXPLOSION-PROOF MOTOR(S)
- LOCAL DISCONNECT NEMA 7
- CONTROL PANEL
- MAIN DISCONNECT SWITCH
- I.S. COMPONENTS/REMOTE MOUNT
- INTERMITTENT OPERATION
- STROBE LIGHT
- ALARM HORN
- POWER LAPSE INDICATOR
- LOW AIR PRESSURE ALARM SWITCH(ES)
- HIGH WATER LEVEL ALARM SWITCH
- DISCHARGE PUMP LEVEL SWITCH
- WATER PRESSURE GAUGE(S)
- DIGITAL WATER FLOW INDICATOR
- AIR FLOW METER
- TEMPERATURE GAUGE(S)
- LINE SAMPLING PORT(S)
- AIR BLOWER SILENCER
- WASHER WAND
- AUTO DIALER

NOTE: THIS DRAWING IS REPRESENTATIVE OF A STANDARD SHALLOWTRAY CONFIGURATION, AND IS NOT INTENDED FOR ENGINEERING DESIGN OR LAYOUT. ACTUAL ARRANGEMENT AND DIMENSIONS MAY VARY DEPENDING ON BLOWER SELECTION OR OTHER ACCESSORIES. PLEASE CONTACT NEEP FOR DETAILED DESIGN INFORMATION.

CONNECTION INFORMATION

ITEM	SIZE
GRAVITY DISCHARGE	3 in. Ø SOCKET, PVC80
DISCHARGE PUMP	1 1/4 in. Ø FNPT
WATER INLET	1-1/4 in. Ø FNPT
AIR EXHAUST NOZZLE	8 in. Ø STUB W/8x6 CPLG

POWER: 3Ø, 460 Volts, 3 WIRE + GROUND 60 Hz

*CONSULT N.E.E.P. FOR AMPACITIES AND OTHER VOLTAGE OPTIONS

STRIPPER CONSTRUCTION:

ROTATIONALLY MOLDED (r43°)
LOW DENSITY POLYETHYLENE (LDPE)

	NORTH EAST ENVIRONMENTAL PRODUCTS, INC. 7 COMMERCE AVENUE WEST LEBANON, NEW HAMPSHIRE 03784 PHONE: 603-298-7061 FAX: 603-298-7068 www.naepystems.com		
	© 2002 NEEP®		
TOLERANCES UNLESS OTHERWISE SPECIFIED ± 1 INCH	DRAWING NAME: ShallowTray® Model 2331-P		
	DRAWING #: Proposal #Typical		
DRAWN: DCS	CUSTOMER: NEEPSYSTEMS.com		
DATE: 10/10/02	SCALE: NTS	SIZE: A	SHEET: 1 OF 1