



Enviro-Equipment Inc.  
Remediation Division  
10120 Industrial Drive  
Pineville NC 28134  
704 556 7723

S/N: EEI-1178

Date: 1-20-09

Status: In Stock

Dimensions: See Dwg.

Description: Shallow Tray 2611 1 Tray Stainless Steel Air Stripper

Flow Rate: 2-115GPM

CFM: 600

2 Dwyer Pressure Switches – Cat# 1950

Skid Mounted

Second Skid:

American Fan Blower Model AF-12, 935502-N

3HP 1PH 115/230V 29/14.5Amp Motor





Enviro-Equipment Inc.  
Remediation Division  
10120 Industrial Drive  
Pineville NC 28134  
704 556 7723

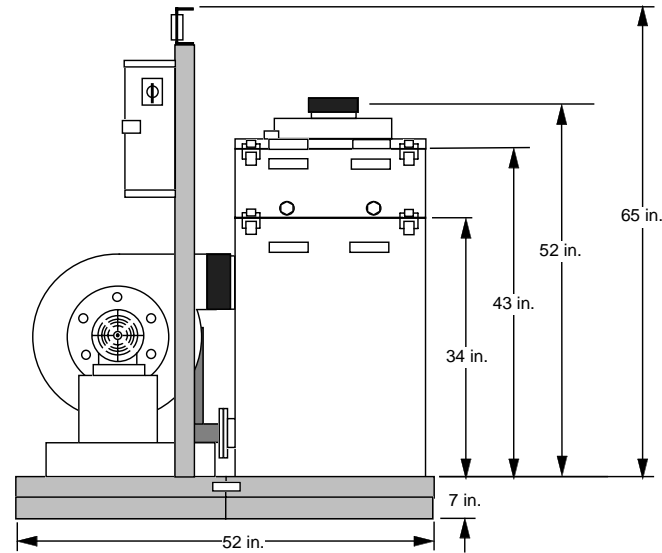
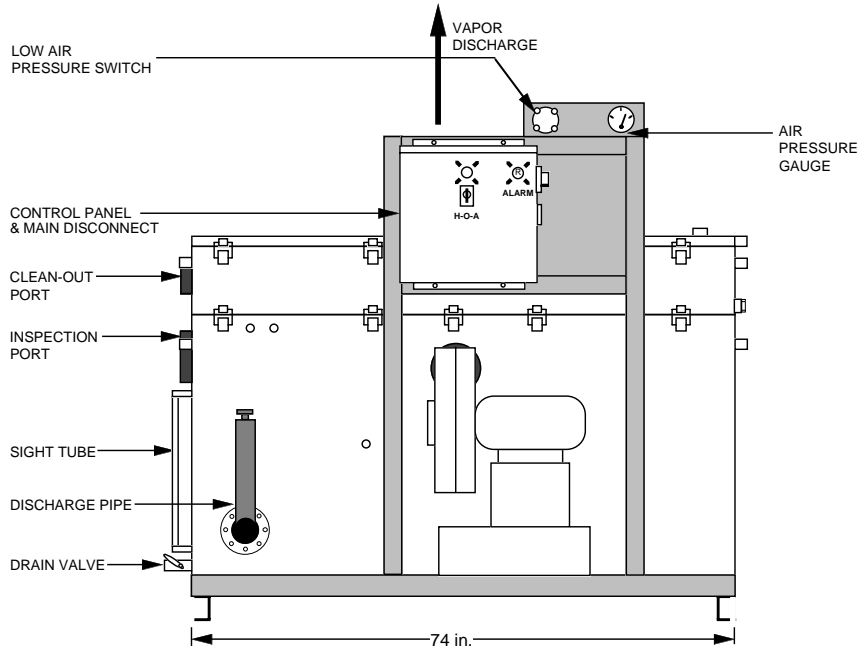


**FRONT**

**RIGHT SIDE**

**MINIMUM CLEARANCE**

FRONT	1.5 ft.
TOP	15 in.
REAR	N/A
LEFT	6.5 ft.
RIGHT	1 ft.



**BASIC SYSTEM**

- ✓ SUMP TANK
- ✓ STRIPPER TRAYS
- ✓ BLOWER
- ✓ MIST ELIMINATOR
- ✓ PIPING
- ✓ SPRAY NOZZLE
- ✓ WATER LEVEL SIGHT TUBE
- ✓ GASKETS
- ✓ LATCHES

**OPTIONAL ITEMS**

- ✓ SKID & STANCHION
- ✓ GRAVITY DISCHARGE PIPING
- DISCHARGE PUMP
- FEED PUMP
- ADDITIONAL BLOWER
- EXPLOSION-PROOF MOTOR(S)
- LOCAL DISCONNECT NEMA 7
- ✓ CONTROL PANEL
- ✓ MAIN DISCONNECT SWITCH
- I.S. COMPONENTS/REMOTE MOUNT
- ✓ INTERMITTENT OPERATION
- STROBE LIGHT
- ALARM HORN
- POWER LAPSE INDICATOR
- ✓ LOW AIR PRESSURE ALARM SWITCH(ES)
- ✓ HIGH WATER LEVEL ALARM SWITCH
- DISCHARGE PUMP LEVEL SWITCH
- WATER PRESSURE GAUGE(S)
- DIGITAL WATER FLOW INDICATOR
- ✓ AIR PRESSURE GAUGE
- AIR FLOW METER
- TEMPERATURE GAUGE(S)
- LINE SAMPLING PORT(S)
- AIR BLOWER SILENCER
- ✓ WASHER WAND
- AUTO DIALER

**NOTE:** THIS DRAWING IS REPRESENTATIVE OF A STANDARD SHALLOWTRAY CONFIGURATION, AND IS NOT INTENDED FOR ENGINEERING DESIGN OR LAYOUT. ACTUAL ARRANGEMENT AND DIMENSIONS MAY VARY DEPENDING ON BLOWER SELECTION OR OTHER ACCESSORIES. PLEASE CONTACT NEEP FOR DETAILED DESIGN INFORMATION.


**POWER:** 3Ø, 460 Volt, 3 WIRE + GROUND 60 Hz

\*CONSULT N.E.E.P. FOR OTHER AMPACITIES AND VOLTAGE OPTIONS

**STRIPPER CONSTRUCTION:**  
304L STAINLESS STEEL

**CONNECTION INFORMATION**

ITEM	SIZE
GRAVITY DISCHARGE	4"Ø SOCKET, PVC80
DISCHARGE PUMP	2"Ø FNPT
WATER INLET	2"Ø FNPT
AIR EXHAUST NOZZLE	8"Ø STUB w/8" CPLG

	NORTH EAST ENVIRONMENTAL PRODUCTS, INC. 7 COMMERCE AVENUE WEST LEBANON, NEW HAMPSHIRE 03784 PHONE: 603-298-7061 FAX: 603-298-7063 <a href="http://www.neepsystems.com">http://www.neepsystems.com</a>		
	DRAWING NAME: © 2002 NEEP <b>ShallowTray® Model 2611</b> ✓		
TOLERANCES UNLESS OTHERWISE SPECIFIED: ± 1 INCH $\delta y \sigma$	DRAWING #: <b>Proposal #Typical</b>		
DRAWN: <b>DCS</b>	CUSTOMER: <b>NEEPSYSTEMS.com</b>		
DATE: <b>09/27/02</b>	SCALE: NTS	SIZE: A	SHEET: 1 OF 1