



Enviro-Equipment Inc.
Remediation Division
10120 Industrial Drive
Pineville NC 28134
704 556 7723

S/N: EEI-1177

Date: 1-20-09

Status: In stock

Dimensions: See Dwg.

Description: Stat 180 4 Tray Stainless Steel Air Stripper (10-200GPM)

Tray Dimensions: 72" L x 36" W x 12" H

Sump Capacity: 225 Gallons

Water Flow Range: 10-200 GPM

Air Flow (CFM): 900

Stainless Steel Float Tree in sight glass to operate transfer pump

Transfer Pump: Price Pump

Model CD100AB

XP 1.5HP 3PH 208-230/460V 5-4.8/2.3Amp 3450RPM Motor

Fan Blower: New York Blower

Shop U04522100

Model 2206 Alum (22" Fan, 6" Ports, Aluminum Construction)

7.5HP 3PH 230/460V 19.8/9.9Amp 3460RPM Motor



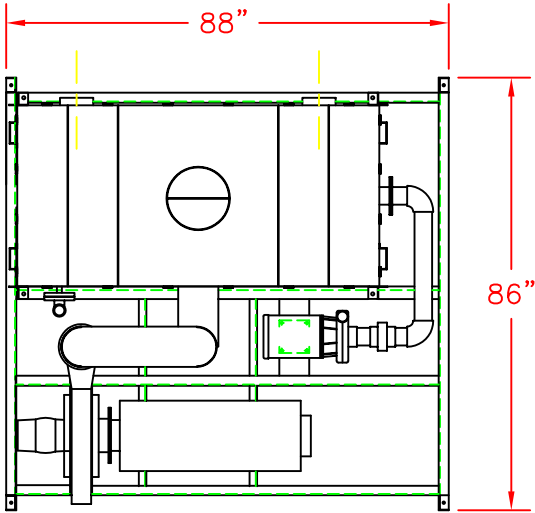
Enviro-Equipment Inc.
Remediation Division
10120 Industrial Drive
Pineville NC 28134
704 556 7723



STAT 180 FOR PUMP DOWN

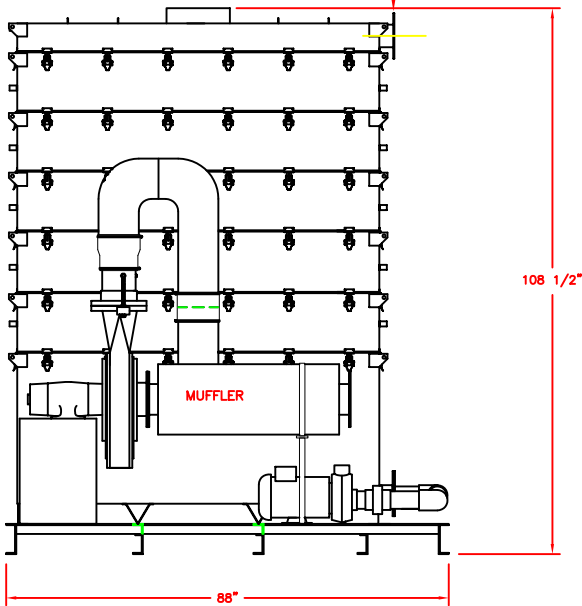
NOTE:

1. STAT 180 CONSTRUCTED OF 304 GRADE STAINLESS STEEL.
2. ADJUST OVERALL HEIGHT BY 11 7/8" FOR EACH AERATION TRAY ADDED OR DELETED. INFLUENT FLANGE ON THE SAME SIDE AS EFFLUENT WITH ODD NUMBER OF TRAYS.

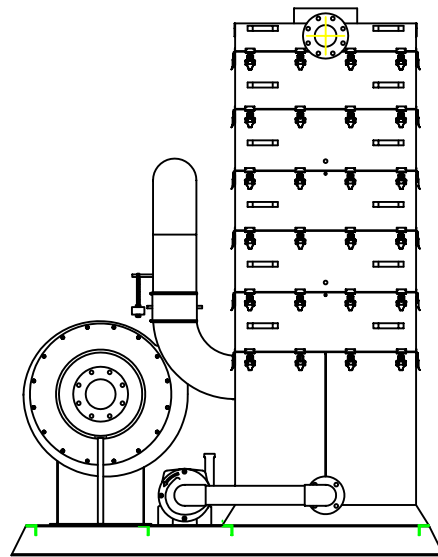


PLAN

4" X 150# ANSI
FLANGE PATTERN
(INFLUENT)



ELEVATION



END VIEW