



Enviro-Equipment Inc.
Remediation Division
10120 Industrial Drive
Pineville NC 28134
704 556 7723

S/N: EEI-1176

Date: 1/9/2008

Status: In Stock

Dimensions: Trays- 24"L x 10"W x 10"H, Sump 16 Gallon Capacity.

Description: Carbon Air Stat 15 5 Tray Stainless Steel Air Stripper (0.5 – 15 GPM Flowrate)

Blower: Rotron EN454W72L Regenerative Blower

Part No. 080488

1.5HP 3PH

230 460 Volt

5.6 / 2.8 Max Amps

127 SCFM Max, 65 IWG Pressure Max

Rotron Muffler Part No. 523627

Rotron Filter Housing Part No. 515254, Element Part No. 516434

Dwyer Pressure Switch Cat# 1950

Price Transfer Pump: CD100BF-300-6A212-1231

S/N# 96070363762-03

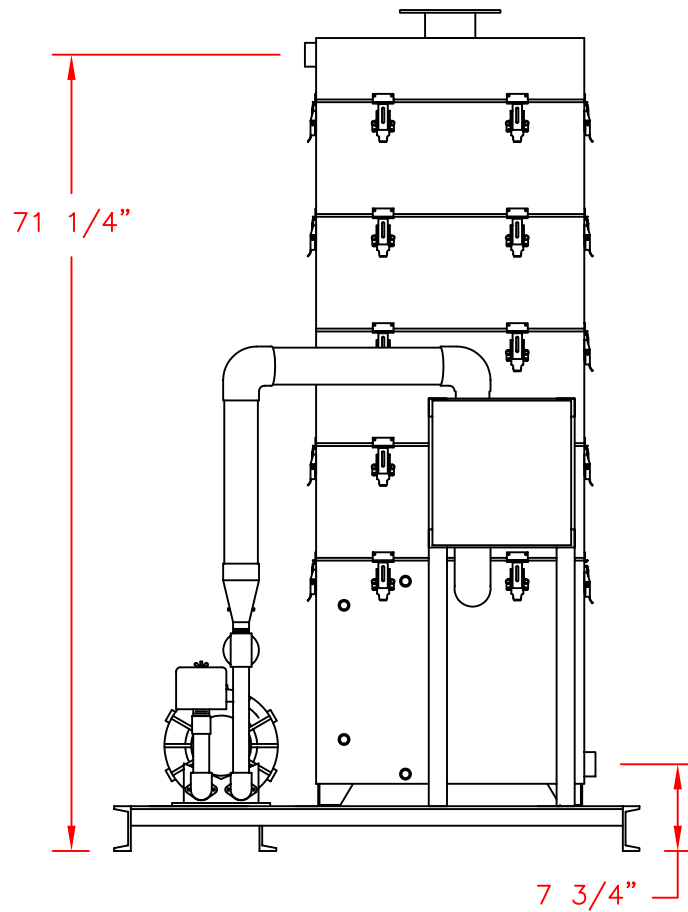
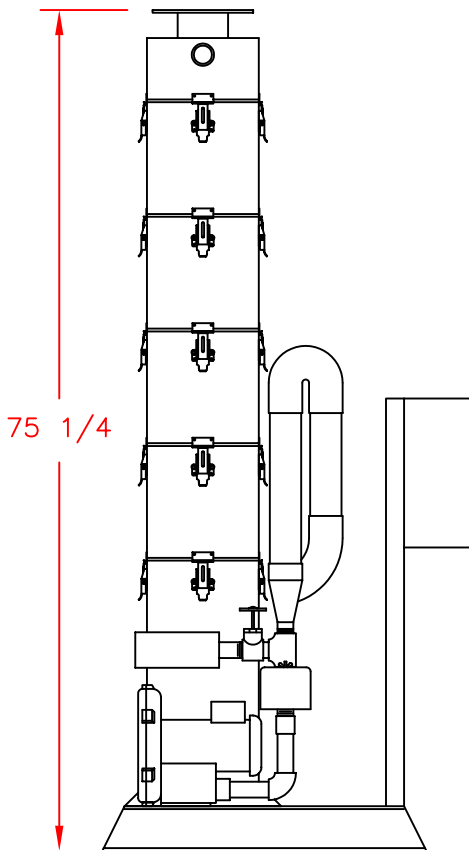
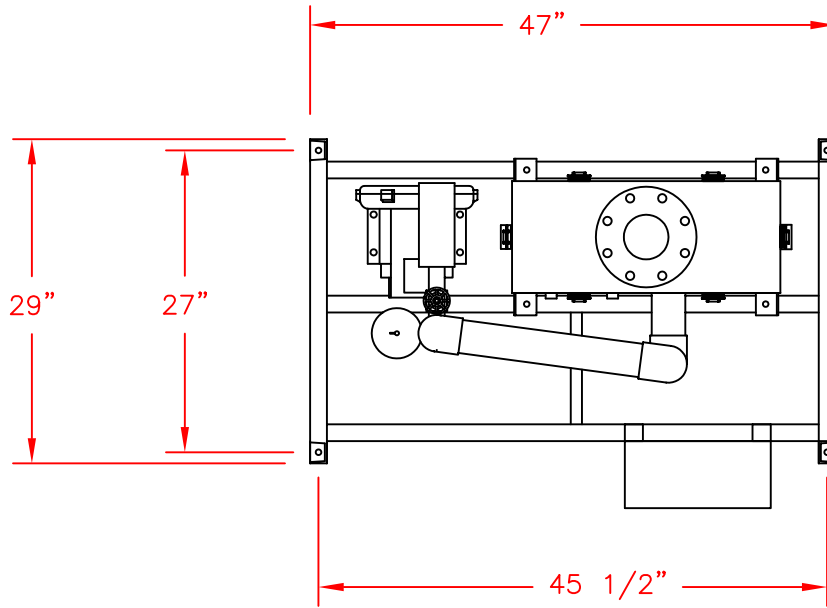
1 1/4" x 1" Ports

XP Motor 1/2HP 3PH 3450RPM 208-230/460V 2.4-2.2/1.1Amps

Flow Meter: Recordall Model 25 Totaling Flow Meter (Gallons)

Skid Mounted





NOTE: Adjust overall height by 10 1/4" for each aeration tray added or deleted. Influent flange on the same side as effluent with odd number of trays.