

# ROTRON® Regenerative Blowers

## EN 979 & CP 979 Sealed Regenerative Blower w/Explosion-Proof Motor

### FEATURES

- Manufactured in the USA – ISO 9001 compliant
- Maximum flow: 1000 SCFM
- Maximum pressure: 90 IWG
- Maximum vacuum: 5" Hg (70 IWG)
- Standard motor: 20 HP, explosion-proof
- Cast aluminum blower housing, cover, impeller & manifold; cast iron flanges (threaded); teflon lip seal
- UL & CSA approved motor with permanently sealed ball bearings for explosive gas atmospheres Class I Group D minimum
- Sealed blower assembly
- Quiet operation within OSHA standards

### MOTOR OPTIONS

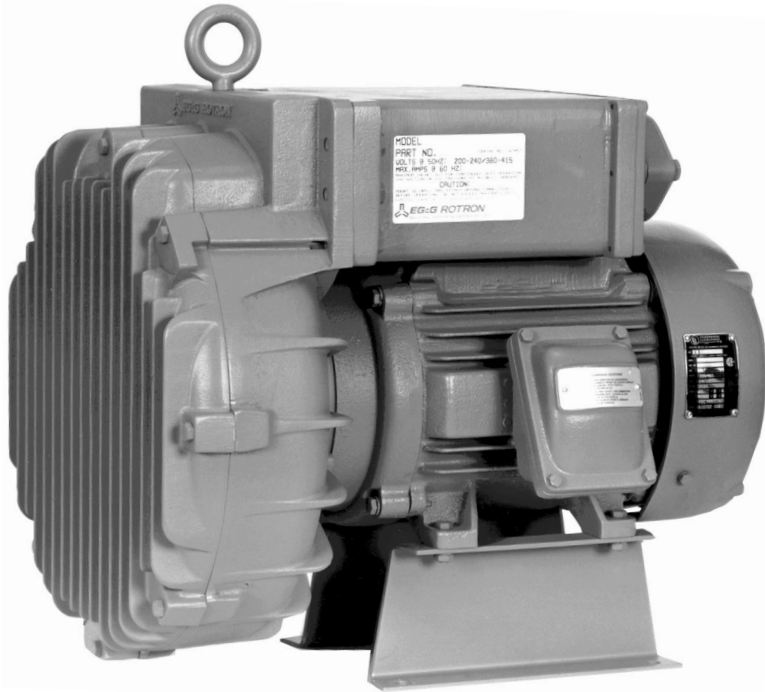
- International voltage & frequency (Hz)
- Chemical duty, high efficiency, inverter duty or industry-specific designs
- Various horsepower for application-specific needs

### BLOWER OPTIONS

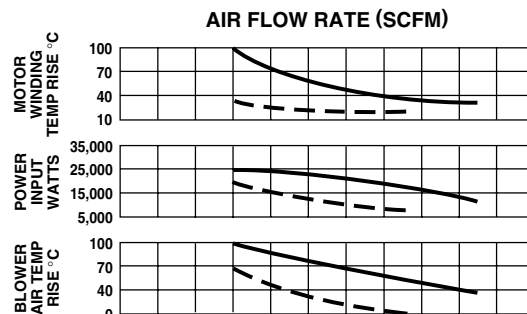
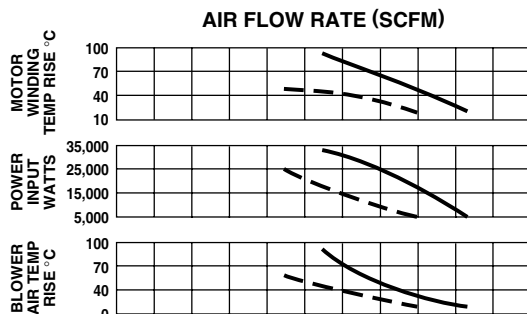
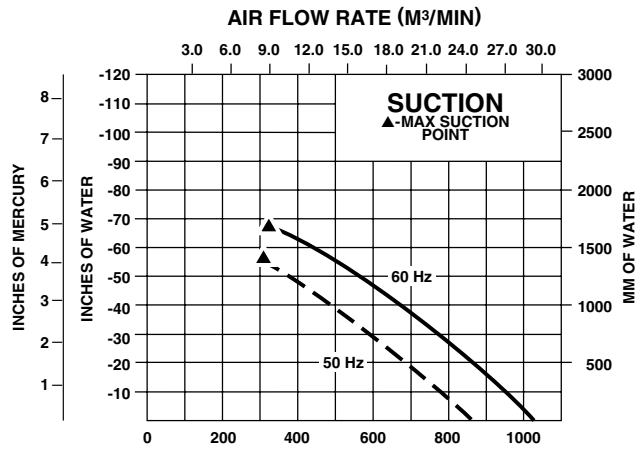
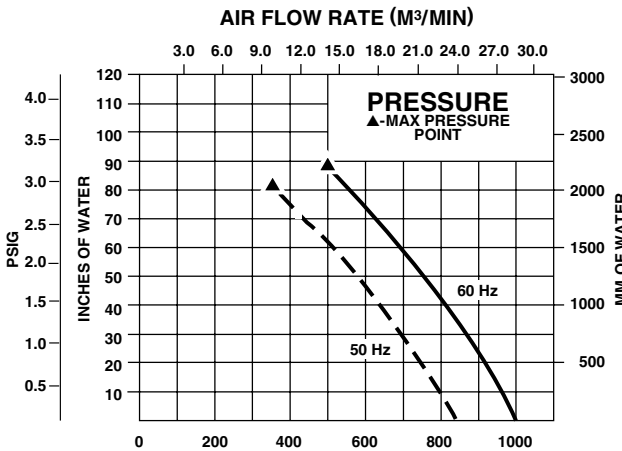
- Corrosion resistant surface treatments & sealing options
- Remote drive (motorless) models
- Slip-on or face flanges for application-specific needs

### ACCESSORIES (See Catalog Accessory Section)

- Flowmeters reading in SCFM
- Filters & moisture separators
- Pressure gauges, vacuum gauges & relief valves
- Switches – air flow, pressure, vacuum or temperature
- External mufflers for additional silencing
- Air knives (used on blow-off applications)
- Variable frequency drive package



### BLOWER PERFORMANCE AT STANDARD CONDITIONS

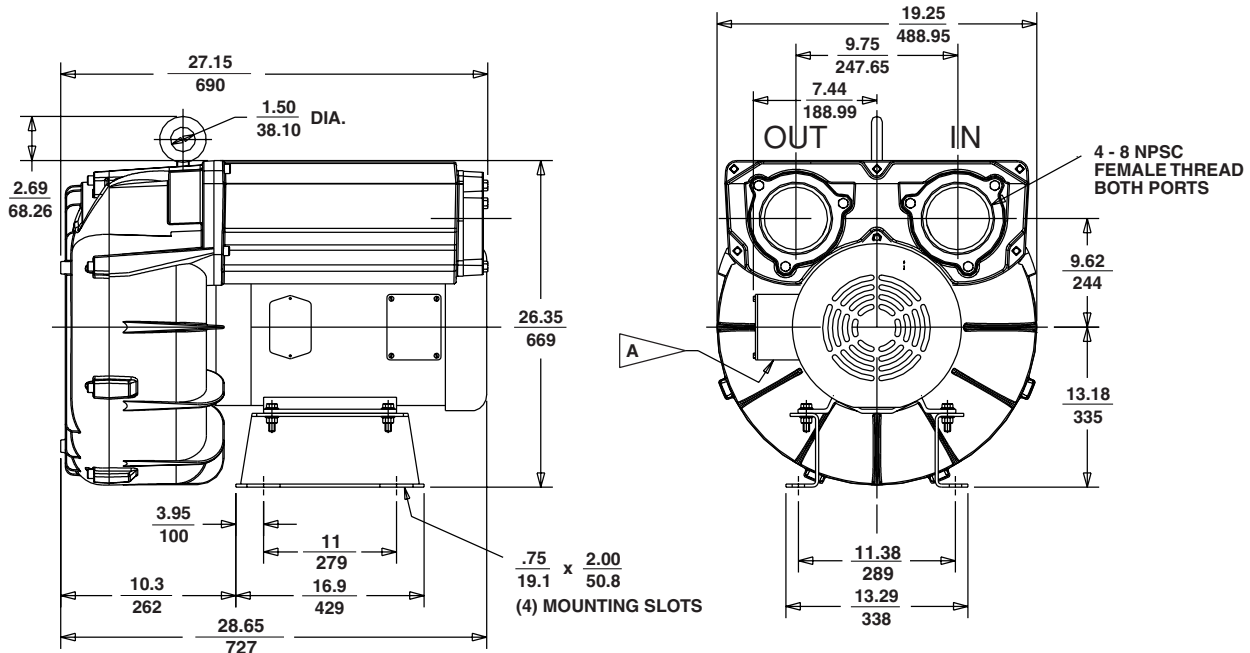


Rev. 2/04

# ROTRON® Regenerative Blowers

## EN 979 & CP 979 Sealed Regenerative Blower w/Explosion-Proof Motor

Scale CAD drawing available upon request.



DIMENSIONS:  $\frac{\text{IN}}{\text{MM}}$   
TOLERANCES:  $.XX \pm \frac{.1}{2.5}$   
(UNLESS OTHERWISE NOTED)

**A** TERMINAL BOX CONNECTOR HOLE 1.09 / 27.7 DIA.

### SPECIFICATIONS

MODEL	EN979BK72WL	EN979BK86WL	CP979GB72WLR
Part No.	080724	—	—
Motor Enclosure – Shaft Material	Explosion-proof – <b>CS</b>	Explosion-proof – <b>CS</b>	Chem XP – <b>SS</b>
Horsepower	20	20	Same as EN979BK72WL – 080724 except add Chemical Processing (CP) features from catalog inside front cover
Phase – Frequency <sup>1</sup>	Three - 60 Hz	Three - 60 Hz	
Voltage <sup>1</sup>	230      460	575	
Motor Nameplate Amps	46      23	18.4	
Max. Blower Amps <sup>3</sup>	60      30	24	
Inrush Amps	294      147	118	
Starter Size	3      2	2	
Service Factor	1.0	1.0	
Thermal Protection <sup>2</sup>	Class B - Pilot Duty	Class B - Pilot Duty	
XP Motor Class – Group	I-D, II-F&G	I-D, II-F&G	
Shipping Weight	650 lb (295 kg)	650 lb (295 kg)	

<sup>1</sup> Rotron motors are designed to handle a broad range of world voltages and power supply variations. Our dual voltage 3 phase motors are factory tested and certified to operate on both: **208-230/415-460 VAC-3 ph-60 Hz** and **190-208/380-415 VAC-3 ph-50 Hz**. Our dual voltage 1 phase motors are factory tested and certified to operate on both: **104-115/208-230 VAC-1 ph-60 Hz** and **100-110/200-220 VAC-1 ph-50 Hz**. All voltages above can handle a  $\pm 10\%$  voltage fluctuation. Special wound motors can be ordered for voltages outside our certified range.

<sup>2</sup> Maximum operating temperature: Motor winding temperature (winding rise plus ambient) should not exceed 140°C for Class F rated motors or 120°C for Class B rated motors. Blower outlet air temperature should not exceed 140°C (air temperature rise plus inlet temperature). Performance curve maximum pressure and suction points are based on a 40°C inlet and ambient temperature. Consult factory for inlet or ambient temperatures above 40°C.

<sup>3</sup> Maximum blower amps corresponds to the performance point at which the motor or blower temperature rise with a 40°C inlet and/or ambient temperature reaches the maximum operating temperature.

Specifications subject to change without notice. Please consult your Local Field Sales Engineer for specification updates.

Rev. 2/04