

ROTRON® Regenerative Blowers

EN 101 & CP 101 Sealed Regenerative Blower w/Explosion-Proof Motor

FEATURES

- Manufactured in the USA – ISO 9001 compliant
- Maximum flow: 29 SCFM
- Maximum pressure: 27 IWG
- Maximum vacuum: 25 IWG
- Standard motor: 0.25 HP, explosion-proof
- Cast aluminum blower housing, cover, impeller & manifold; cast iron flanges (threaded); teflon lip seal
- UL & CSA approved motor with permanently sealed ball bearings for explosive gas atmospheres Class I Group D minimum
- Sealed blower assembly
- Quiet operation within OSHA standards

MOTOR OPTIONS

- International voltage & frequency (Hz)
- Chemical duty, high efficiency, inverter duty or industry-specific designs
- Various horsepower for application-specific needs

BLOWER OPTIONS

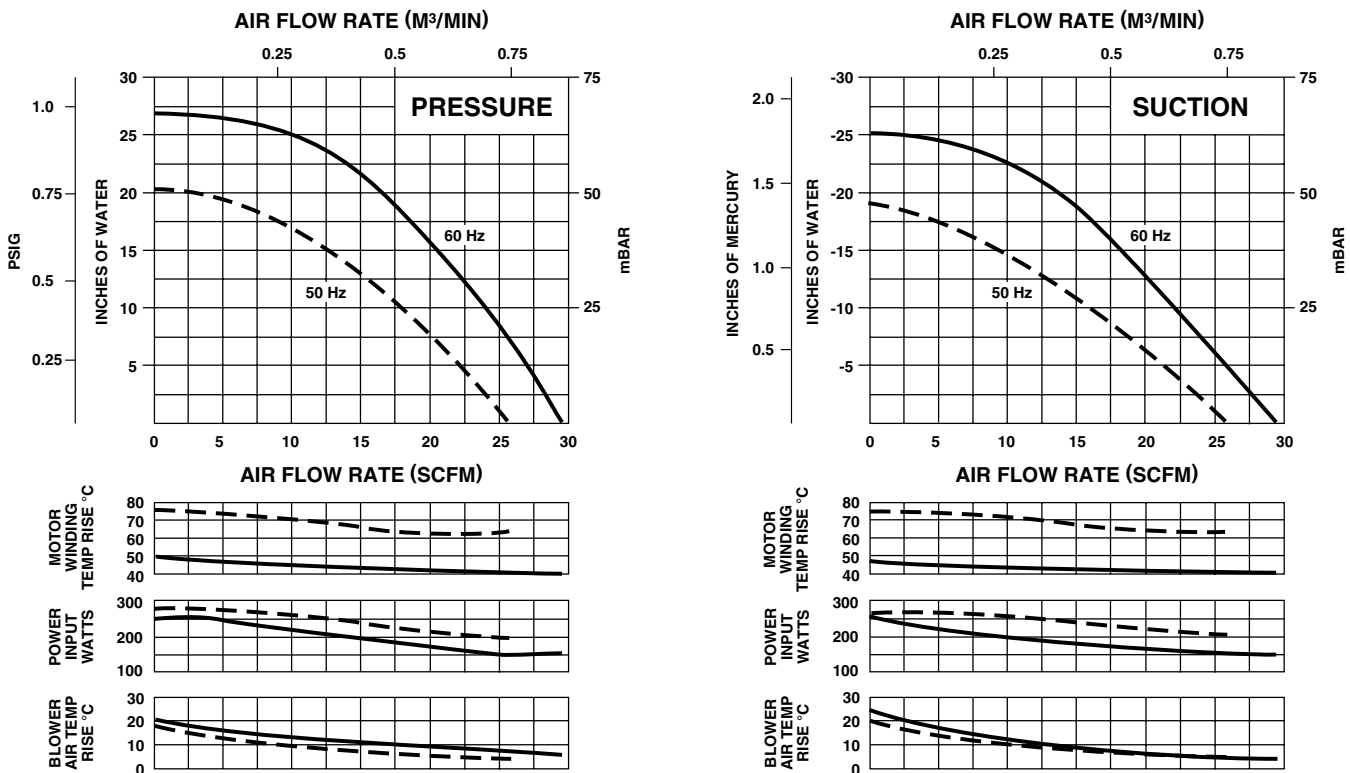
- Corrosion resistant surface treatments & sealing options
- Remote drive (motorless) models
- Slip-on or face flanges for application-specific needs

ACCESSORIES (See Catalog Accessory Section)

- Flowmeters reading in SCFM
- Filters & moisture separators
- Pressure gauges, vacuum gauges & relief valves
- Switches – air flow, pressure, vacuum or temperature
- External mufflers for additional silencing
- Air knives (used on blow-off applications)
- Variable frequency drive package



BLOWER PERFORMANCE AT STANDARD CONDITIONS

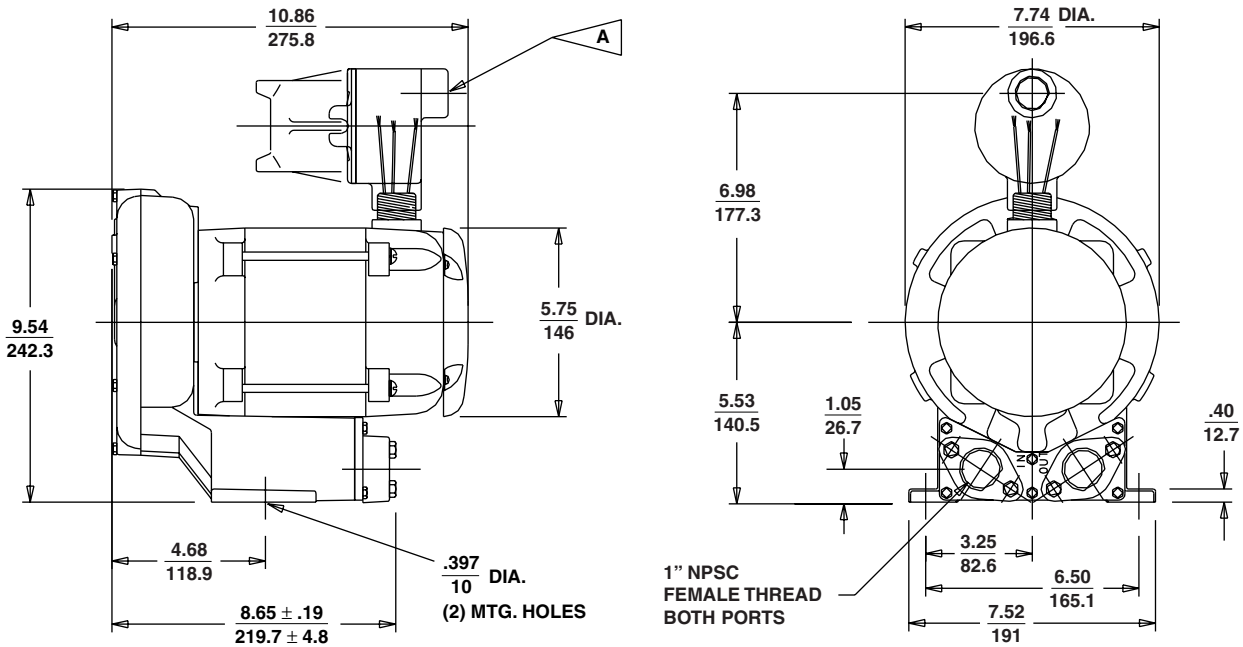


Rev. 2/04

ROTRON® Regenerative Blowers

EN 101 & CP 101 Sealed Regenerative Blower w/Explosion-Proof Motor

Scale CAD drawing available upon request.



DIMENSIONS: $\frac{\text{IN}}{\text{MM}}$
 TOLERANCES: $.XX \pm \frac{.08}{2}$
 (UNLESS OTHERWISE NOTED)

MODEL	L (IN) ± .30	L (MM) ± 8
EN/AG101CC9L	10.9	277
EN/AG101CC91L	10.88	276

A 0.75" NPT CONDUIT CONNECTION

SPECIFICATIONS

MODEL	EN101AG58L	EN101AG91L	CP101FN58LR	CP101FN91LR
Part No.	038171	038019	080622	038950
Motor Enclosure – Shaft Material	Explosion-proof – CS	Explosion-proof – CS	Chem XP – SS	Chem XP – SS
Horsepower	0.5	0.5	Same as EN101AG58L – 038171 except add Chemical Processing (CP) features from catalog inside front cover	Same as EN101AG91L – 038019 except add Chemical Processing (CP) features from catalog inside front cover
Phase – Frequency ¹	Single - 60 Hz	Three - 60 Hz		
Voltage ¹	115 230	230 460		
Motor Nameplate Amps	3.7 1.85	.90 .45		
Max. Blower Amps ³	9 4.5	1.5 .75		
Inrush Amps	38 19	8.9 4.5		
Starter Size	0 00	00 00		
Service Factor	1.0	1.0		
Thermal Protection ²	Not Required	Not Required		
XP Motor Class – Group	I-D	I-D		
Shipping Weight	42 lb (19 kg)	42 lb (19 kg)		

¹ Rotron motors are designed to handle a broad range of world voltages and power supply variations. Our dual voltage 3 phase motors are factory tested and certified to operate on both: **208-230/415-460 VAC-3 ph-60 Hz** and **190-208/380-415 VAC-3 ph-50 Hz**. Our dual voltage 1 phase motors are factory tested and certified to operate on both: **104-115/208-230 VAC-1 ph-60 Hz** and **100-110/200-220 VAC-1 ph-50 Hz**. All voltages above can handle a ±10% voltage fluctuation. Special wound motors can be ordered for voltages outside our certified range.

² Maximum operating temperature: Motor winding temperature (winding rise plus ambient) should not exceed 140°C for Class F rated motors or 120°C for Class B rated motors. Blower outlet air temperature should not exceed 140°C (air temperature rise plus inlet temperature). Performance curve maximum pressure and suction points are based on a 40°C inlet and ambient temperature. Consult factory for inlet or ambient temperatures above 40°C.

³ Maximum blower amps corresponds to the performance point at which the motor or blower temperature rise with a 40°C inlet and/or ambient temperature reaches the maximum operating temperature.