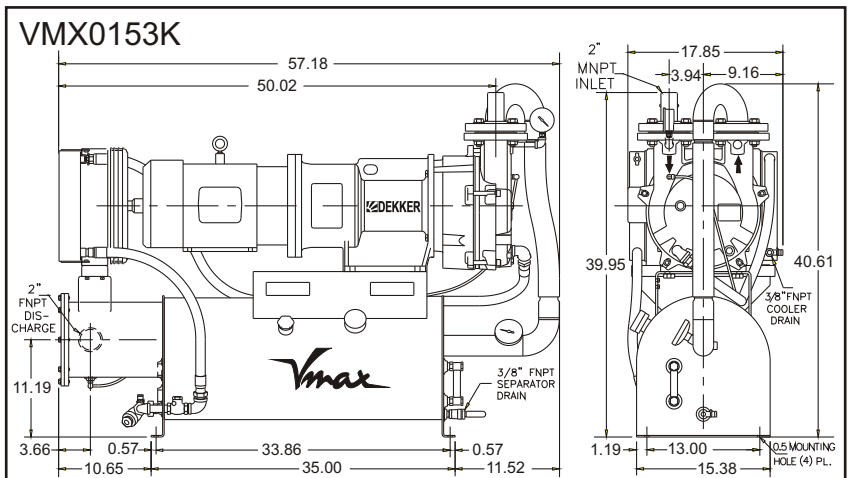
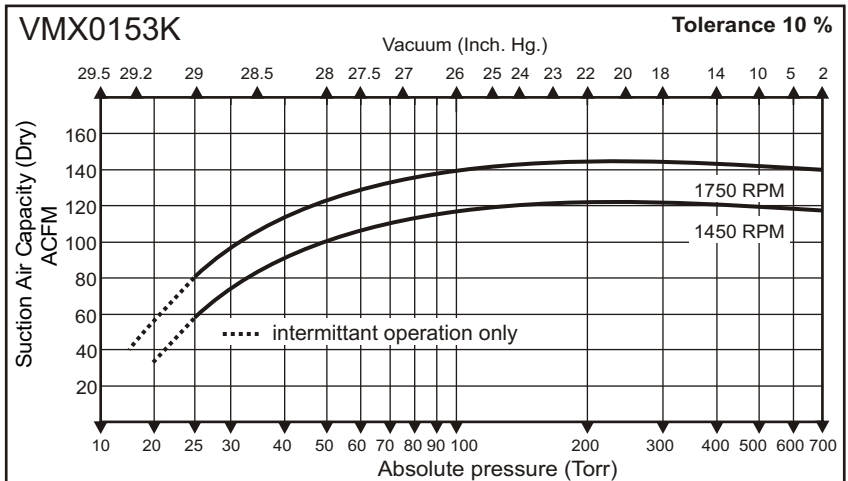
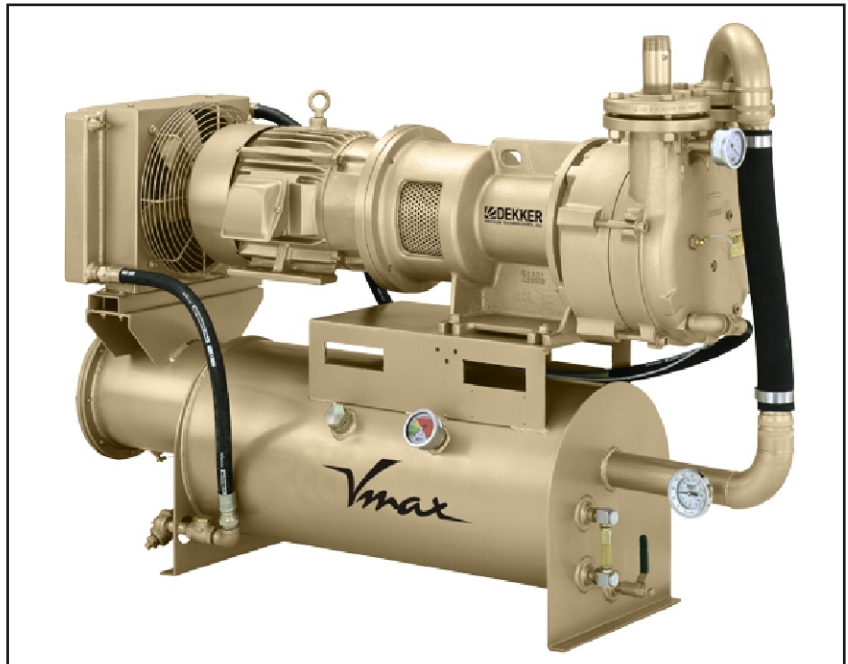


**Why more and more customers are switching to the *Vmax* system:**

- ✓ The only system on the market with a **full 3-year warranty!**
- ✓ Patented, **high-efficiency DX-5 separator** eliminates oil carry-over concerns.
- ✓ **Sturdy bearing pedestal** mounts to standard **NEMA C-face motor**.
- ✓ Rugged, **high-quality, industrial system**, offering years of **trouble free operation**.
- ✓ **Extended-life seal-fluid** is not used as a lubricant. Change interval is not critical, resulting in a minimum of **10,000 hours of continuous operation**.
- ✓ **Direct drive at low speed** (1750RPM) eliminates the use of V-belts, resulting in very **low maintenance and zero downtime**.
- ✓ **Extremely low operating noise** level makes this system desirable in today's workplace.
- ✓ **Continuous operation over the full vacuum range** without overheating.
- ✓ **Carry-over** of soft solids and/or minimal amounts of liquid **does not cause damage** to the internal parts of the pump.
- ✓ **Air-cooled design** is **standard** with water-cooling available at no extra charge.
- ✓ Improved **compact design**.
- ✓ Now available with optional **Variable Frequency Drive**, resulting in lower power consumption.



**Performance Characteristics**

Nominal capacity: 150CFM  
 Motor: 50Hz/5.5kW/7.5HP - 60Hz/7.5kW/10HP  
 Speed: 1450/1750RPM  
 Maximum vacuum: 29"Hg/982mbar  
 Weight (approximate): 350Kg/770Lbs  
 Maximum gas inlet temperature: 212°F/100°C  
 Maximum noise level (at 3 feet): 76dBA  
 Oil capacity (approximate): 26Ltr/7 GAL  
*Performance based on atmospheric pressure equal to 29.92"Hg/1013mbarA*

Information contained in this document is for reference only. Subject to change without notice.